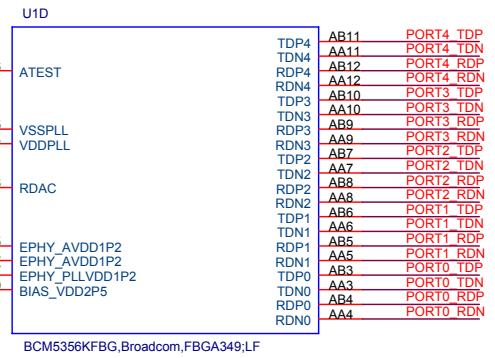
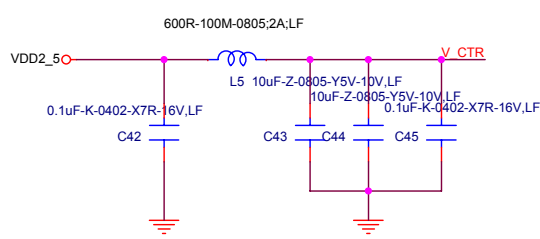
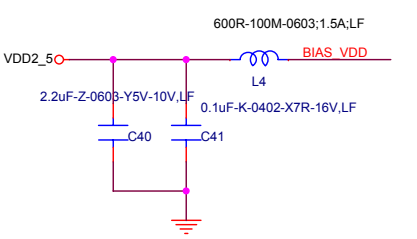
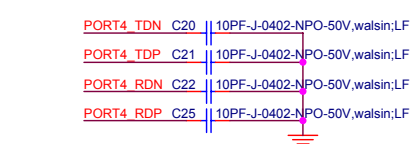
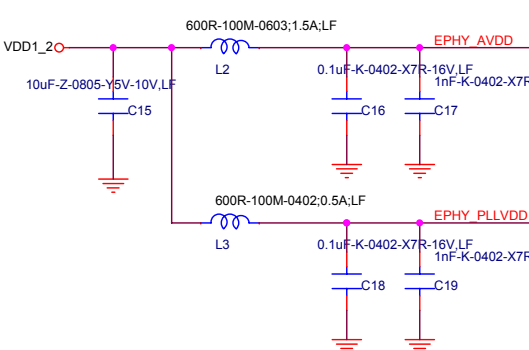
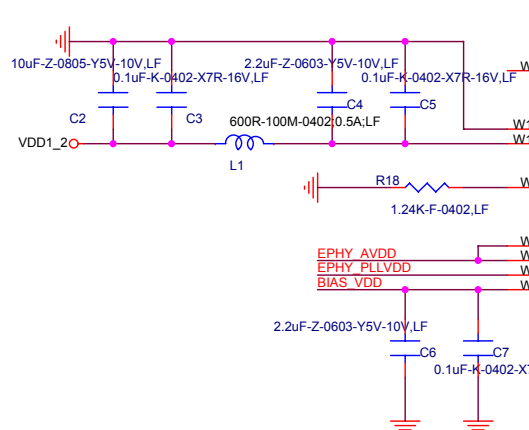
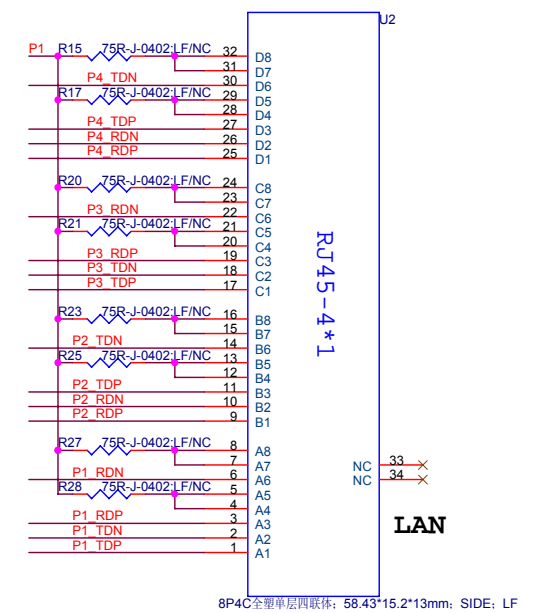
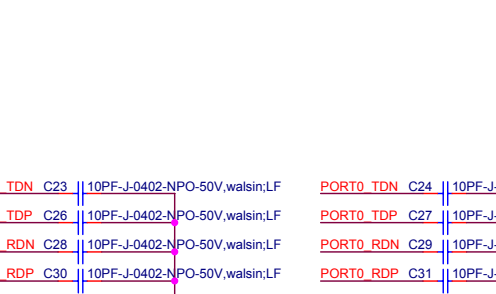
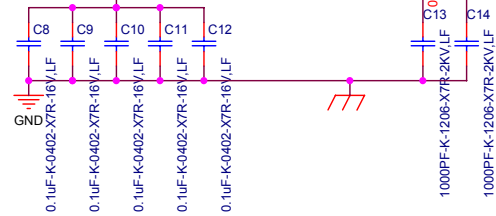
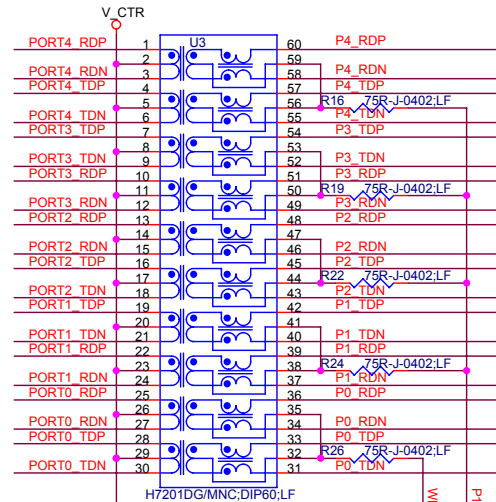


Mark

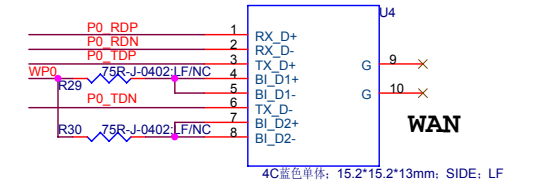
Title		
Size B	Document Number	Rev 0.11
Date:	Tuesday, October 12, 2010	Sheet 2 of 7



BCM5356KFBG, Broadcom, FBGA349;LF

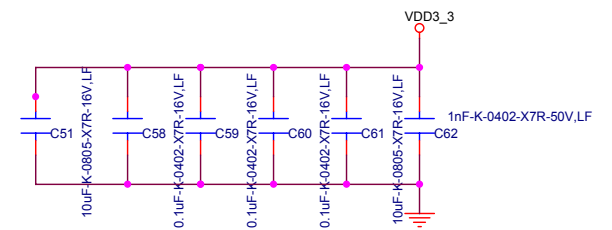
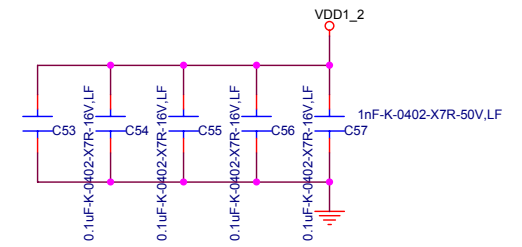
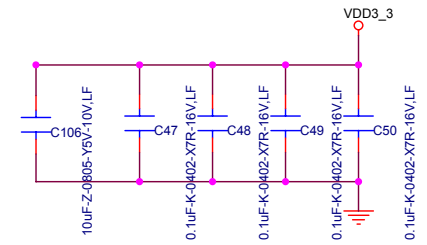
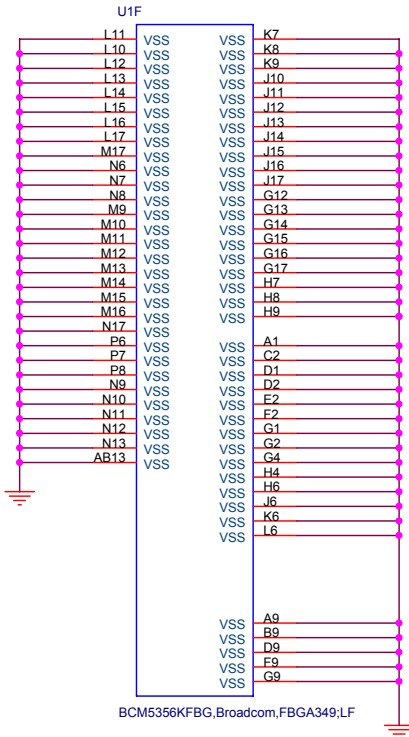
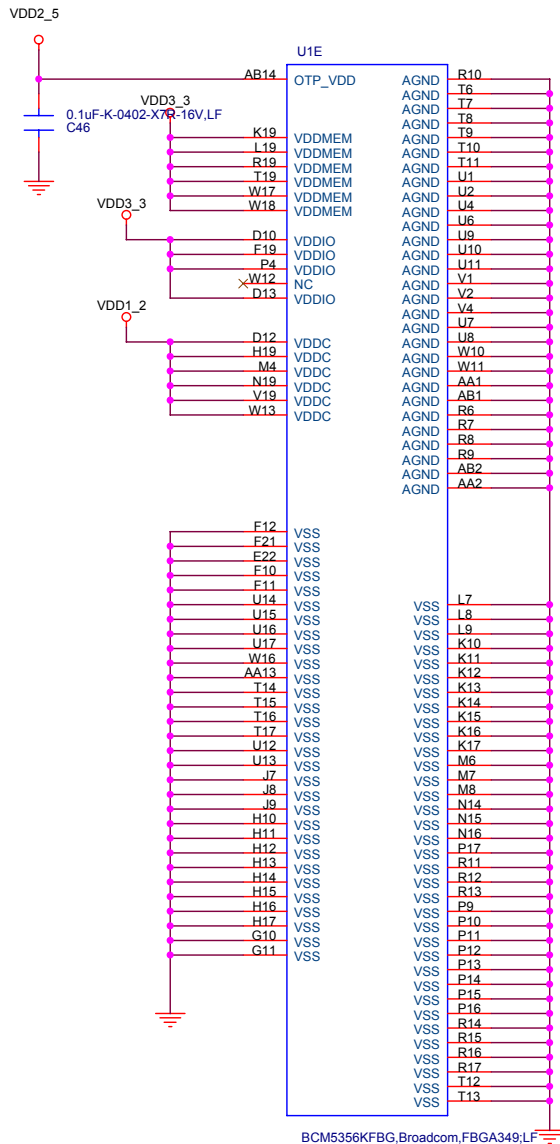


8P4C全塑单层四联体; 58.43*15.2*13mm; SIDE: LF

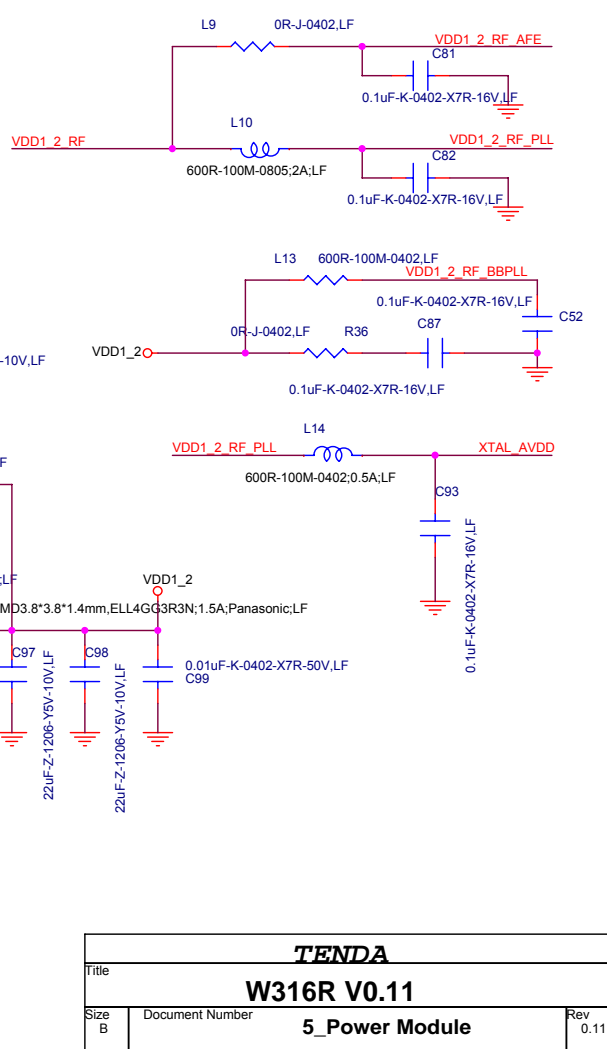
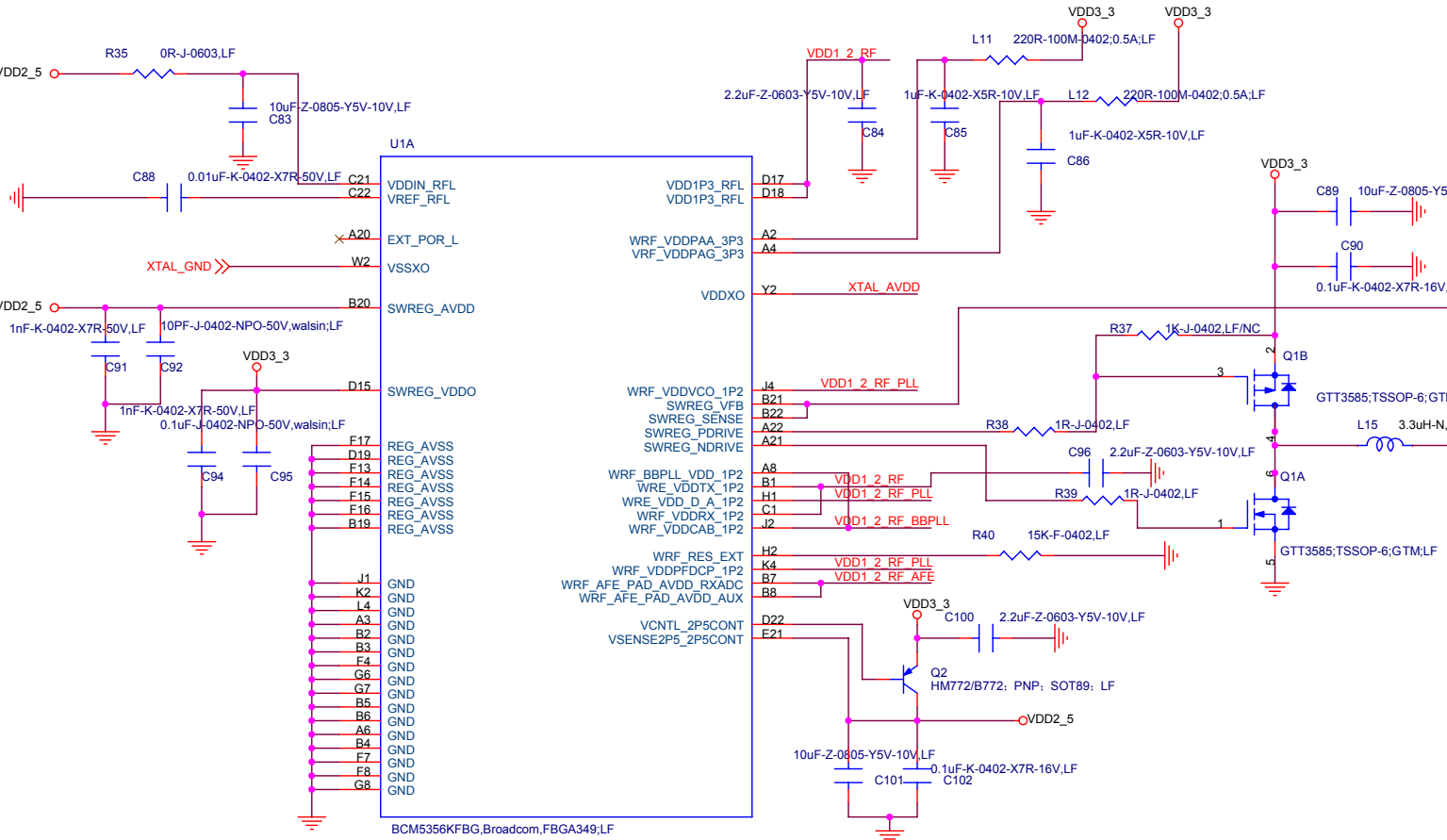
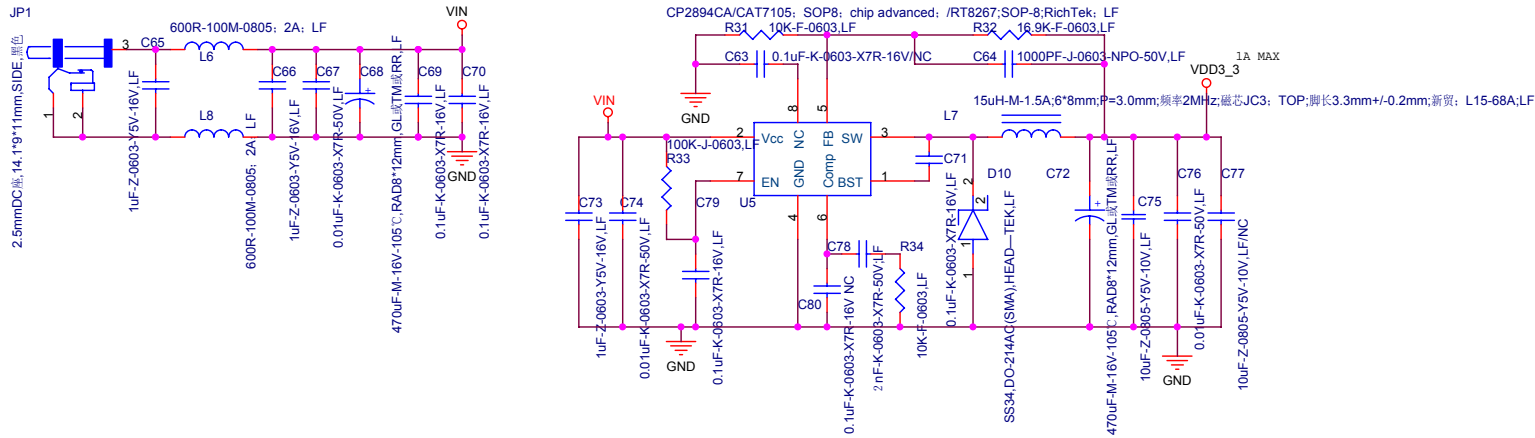


4C蓝色单体; 15.2*15.2*13mm; SIDE: LF

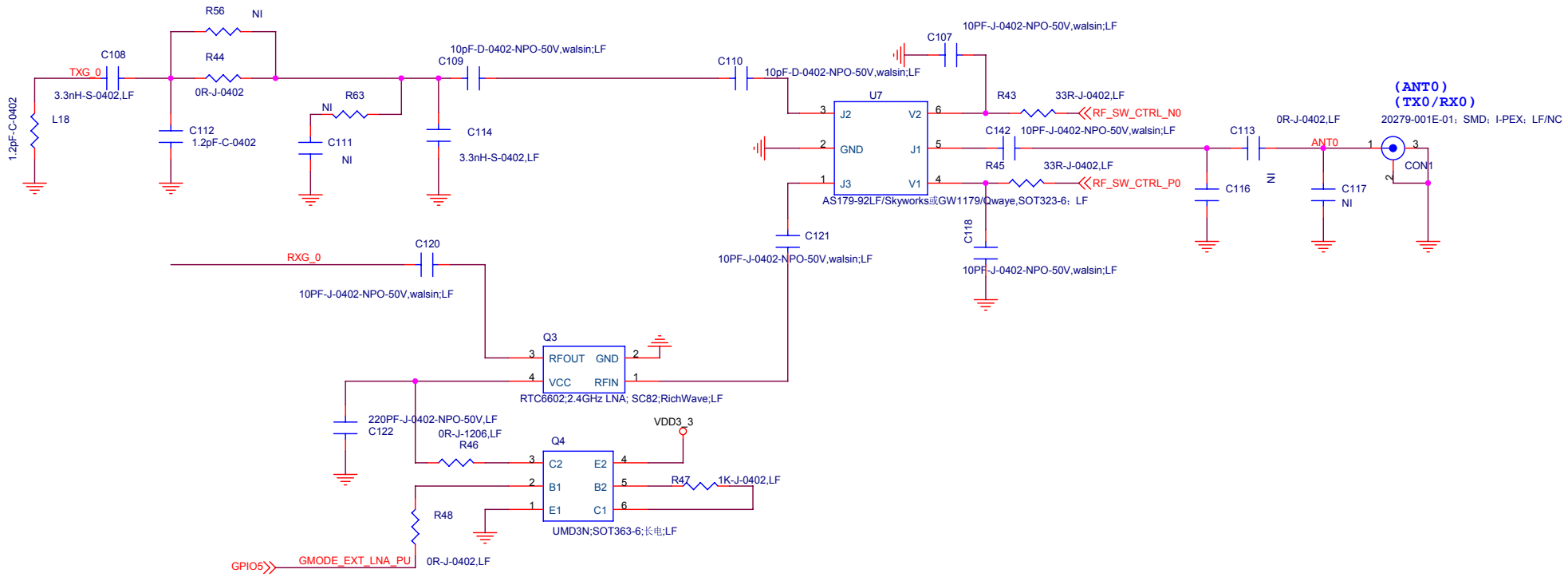
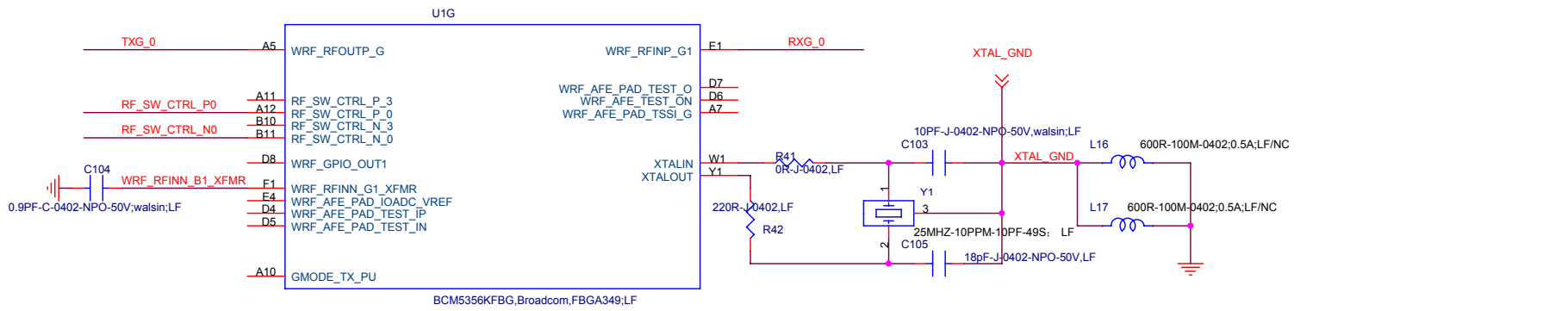
TENDA			
W316R V0.11			
Size B	Document Number	3_Magnetic	
Date:	Tuesday, October 12, 2010	Sheet	3 of 7
			Rev 0.11



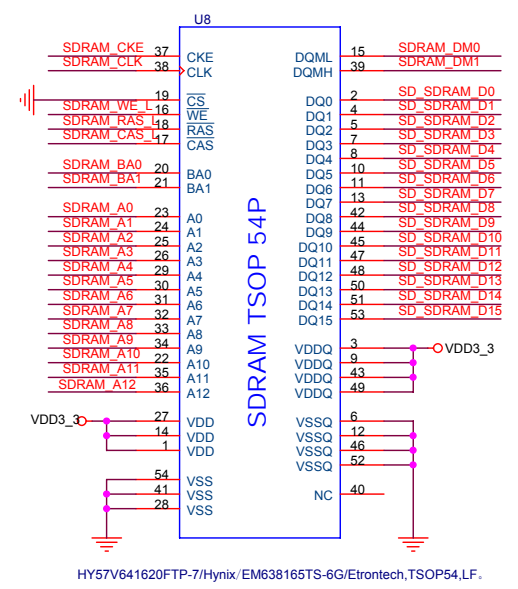
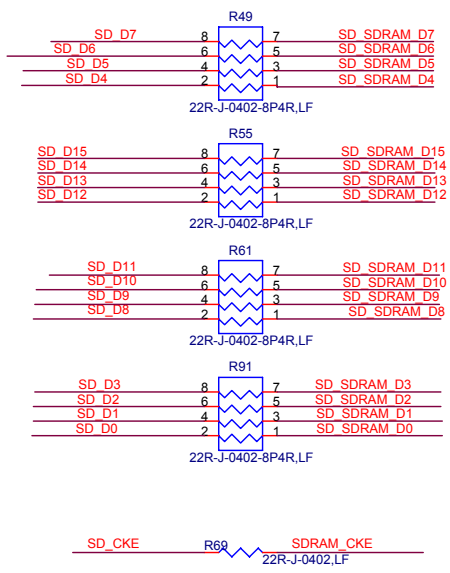
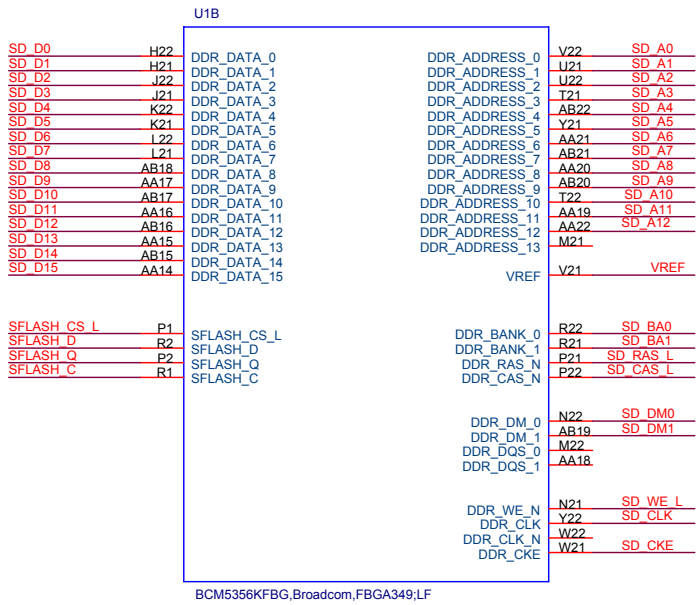
TENDA			
W316R V0.11			
Size	Document Number	4_Power&Ground	Rev
B			0.11
Date:	Tuesday, October 12, 2010	Sheet	4 of 7



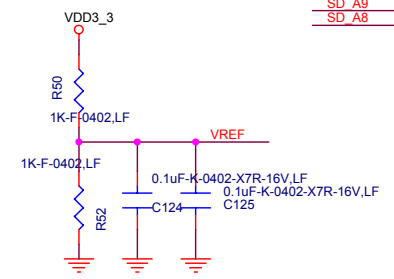
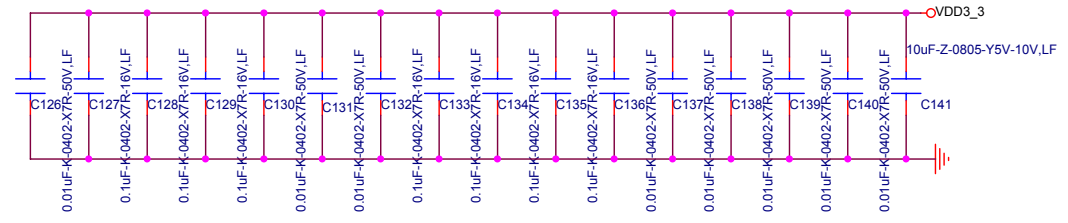
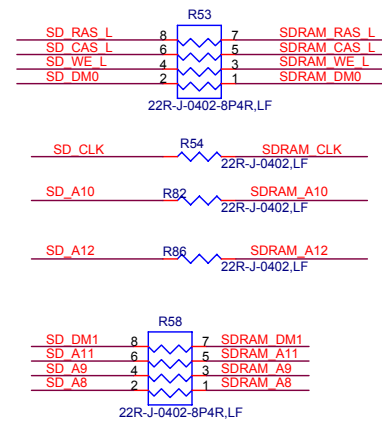
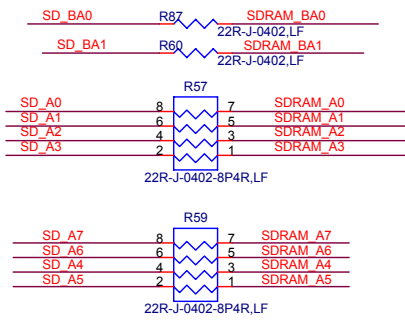
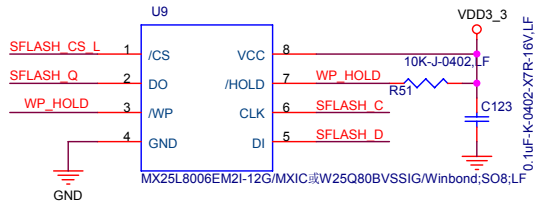
TENDA			
Title			
W316R V0.11			
Size	Document Number	Rev	
B		0.11	
Date:	Tuesday, October 12, 2010	Sheet	5 of 7



TENDA			
W316R V0.11			
Size	Document Number	Rev	
B		0.11	
Date:	Tuesday, October 12, 2010	Sheet	6 of 7



8MB SDRAM/16bit



TENDA		
W316R V0.11		
Size B	Document Number	Rev 0.11
7_SDR&Serial Flash		
Date:	Tuesday, October 12, 2010	Sheet 7 of 7