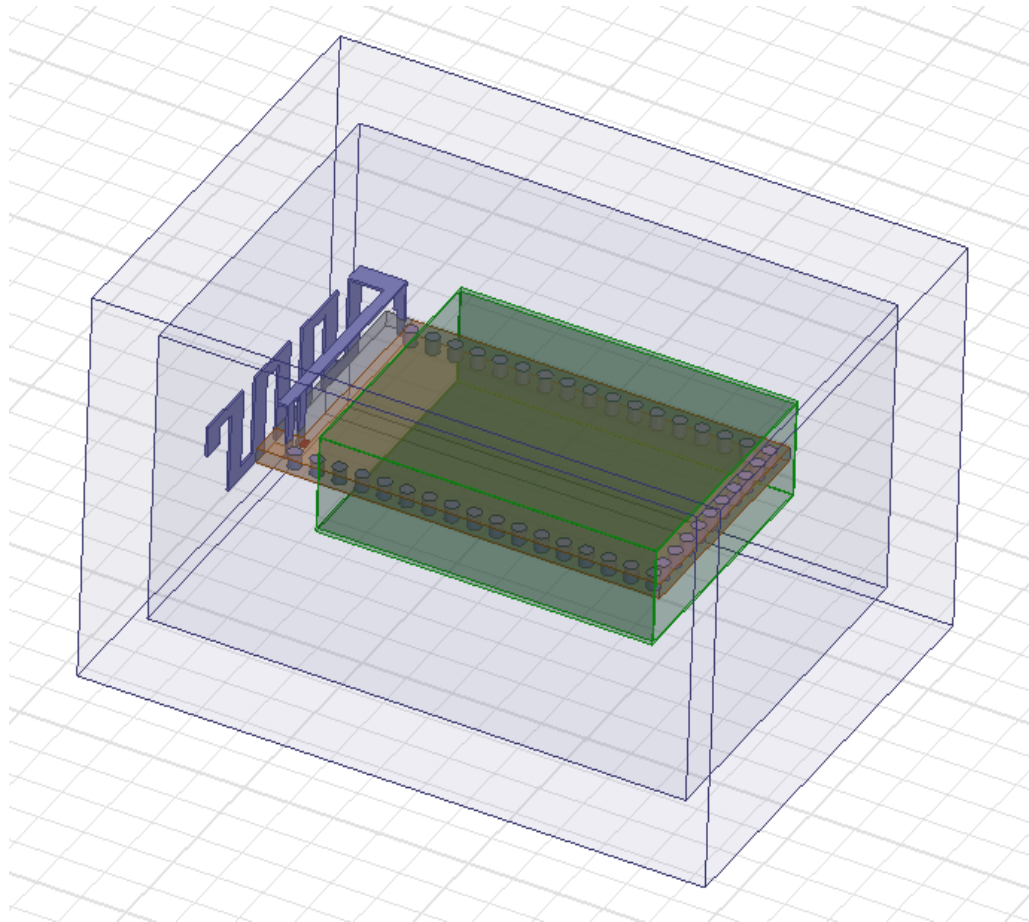


Measurement of Antenna for W311MI Project

Manufacture: SHENZHEN TENDA TECHNOLOGY CO., LTD.

1. Antenna Appearance:

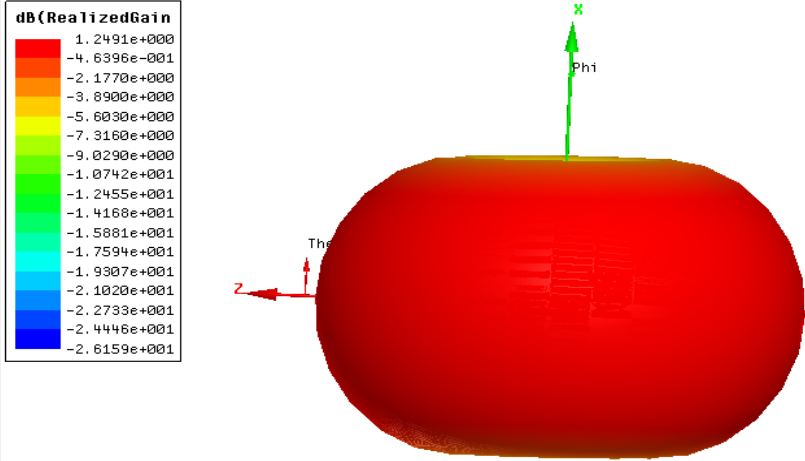
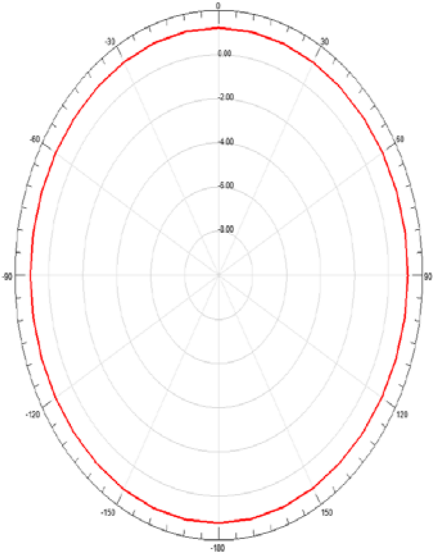


2. Electrical performance test results at normal temperature

a) 2. 4G Antenna

No	Test Item	Unit	Demand Performance	Test Result		Judgement
1	Frequency Range	MHz	2400-2483.5	2400-2483.5		OK
2	Gain	dBi	1	2400	0.52	OK
				2450	1.24	OK
				2483	0.45	OK
3	Return loss	dB	≤ -10	2400	-11	OK
				2450	-13	OK
				2483	-11	OK

Directional diagram for 2.4GHz

EUT		
3D Radiation patterns		
2D Radiation patterns	<p style="text-align: center;">H PLANE</p> <p style="text-align: center;">Radiation Pattern 1</p> 	<p style="text-align: center;">V PLANE</p> <p style="text-align: center;">Radiation Pattern 2</p> 