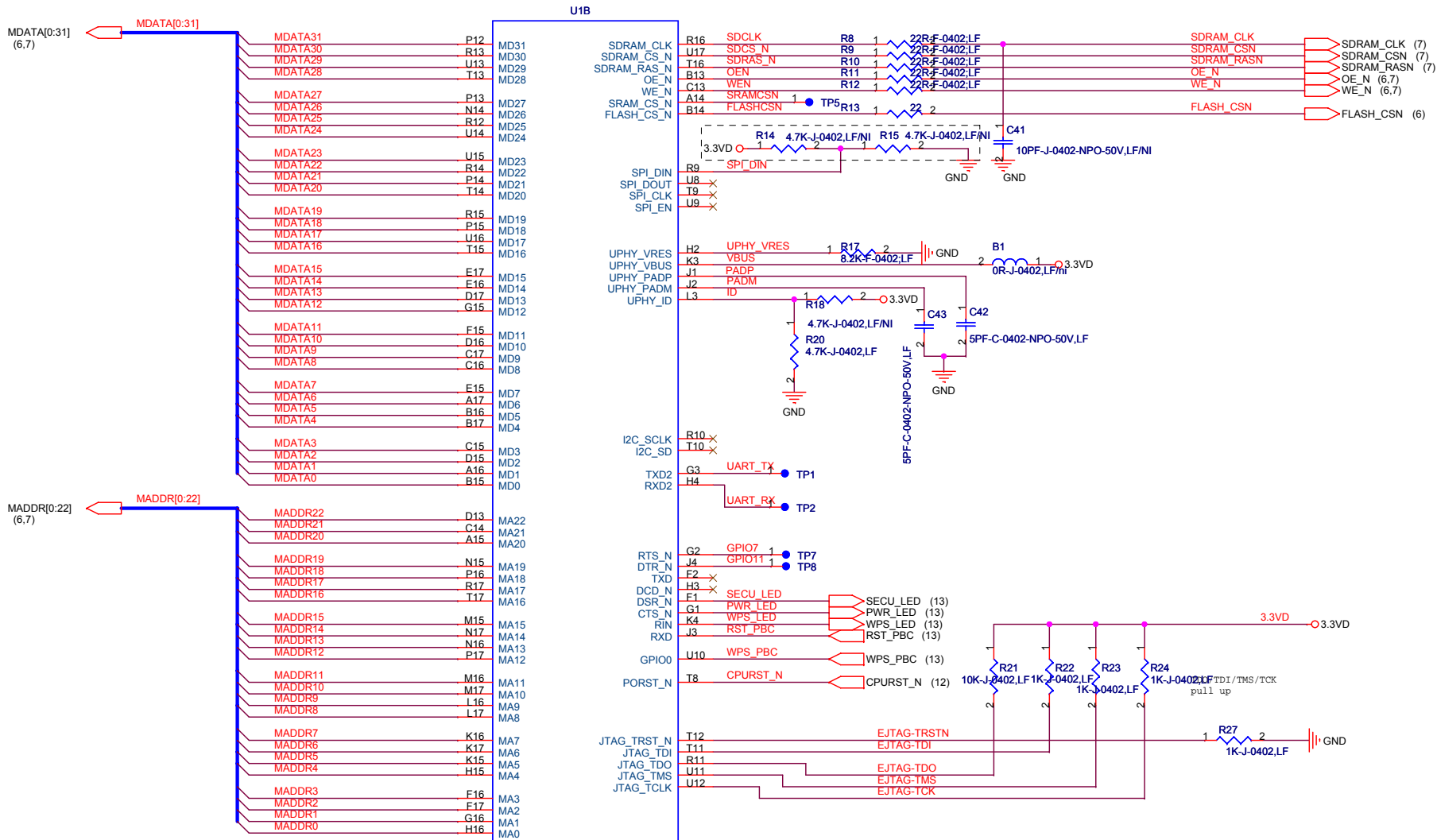
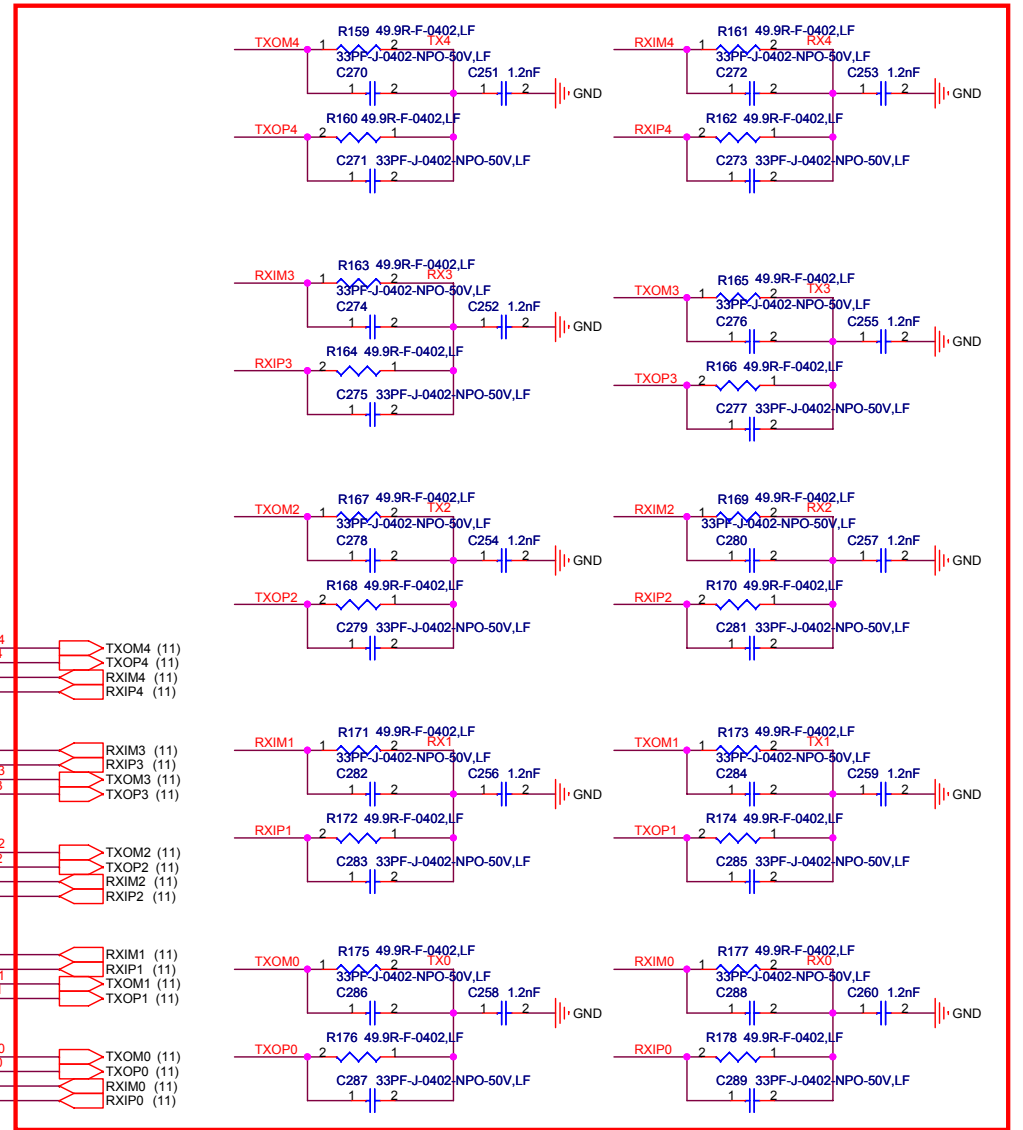
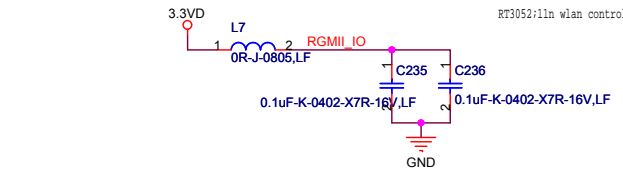
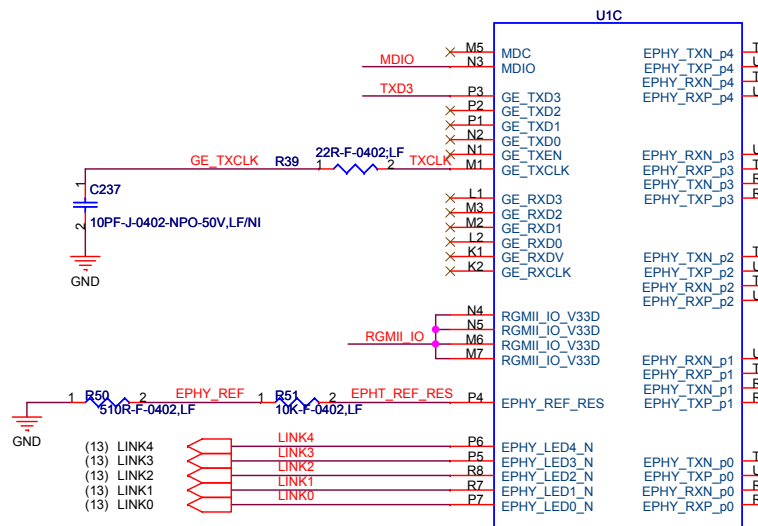


TENDA		
W307R		
Title		
Size	Document Number	Rev
B	11-RT3052-RF-A.SCH	0.1
Date:	Thursday, June 18, 2009	Sheet 2 of 14



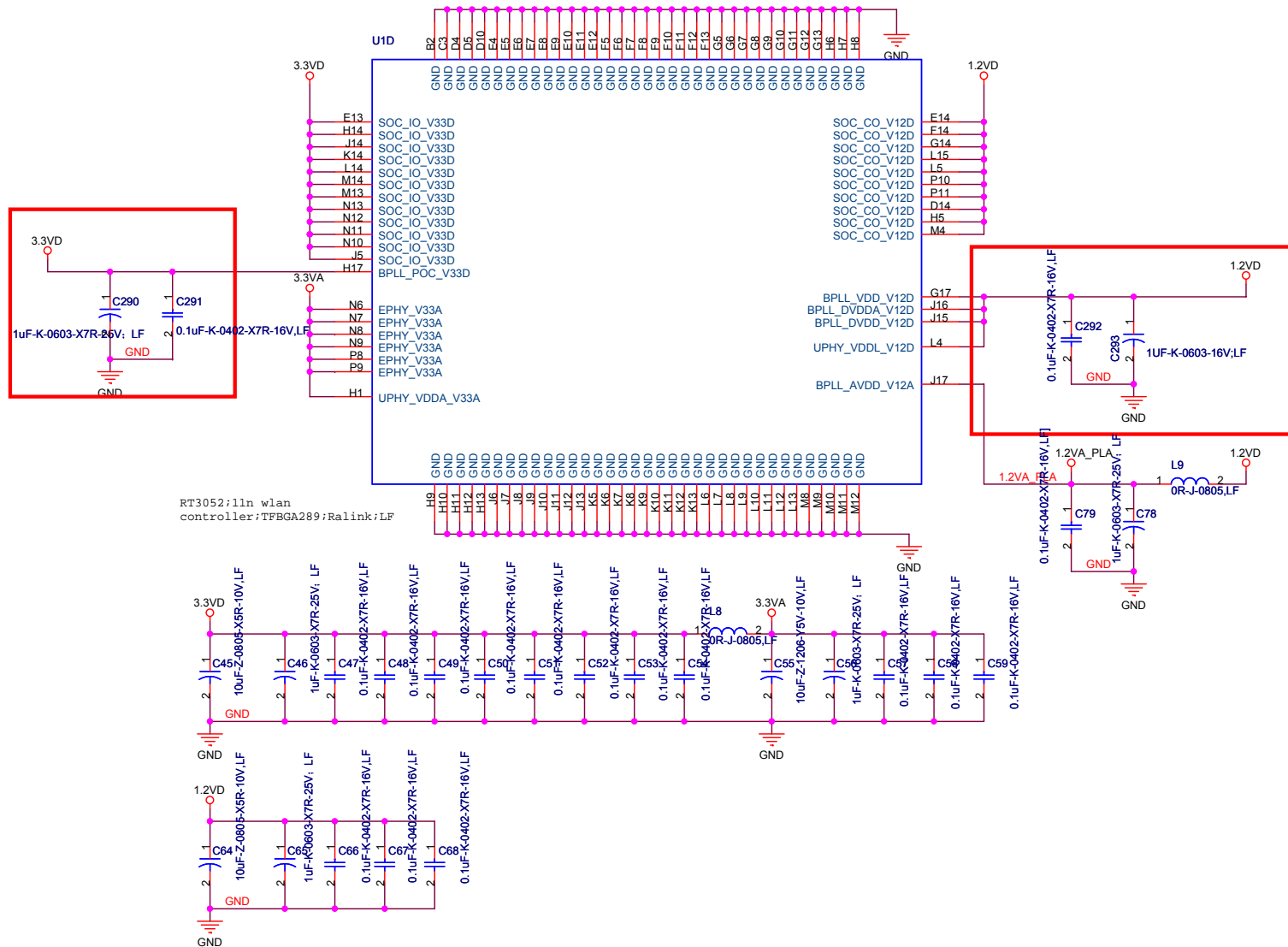
RT3052:11n wlan controller;TPBGA289;Ralink;LF

TENDA		
Title		
W307R		
Size	Document Number	Rev
B	12-RT3052-Peripheral-B.SCH	0.1
Date:	Thursday, June 18, 2009	Sheet 3 of 14

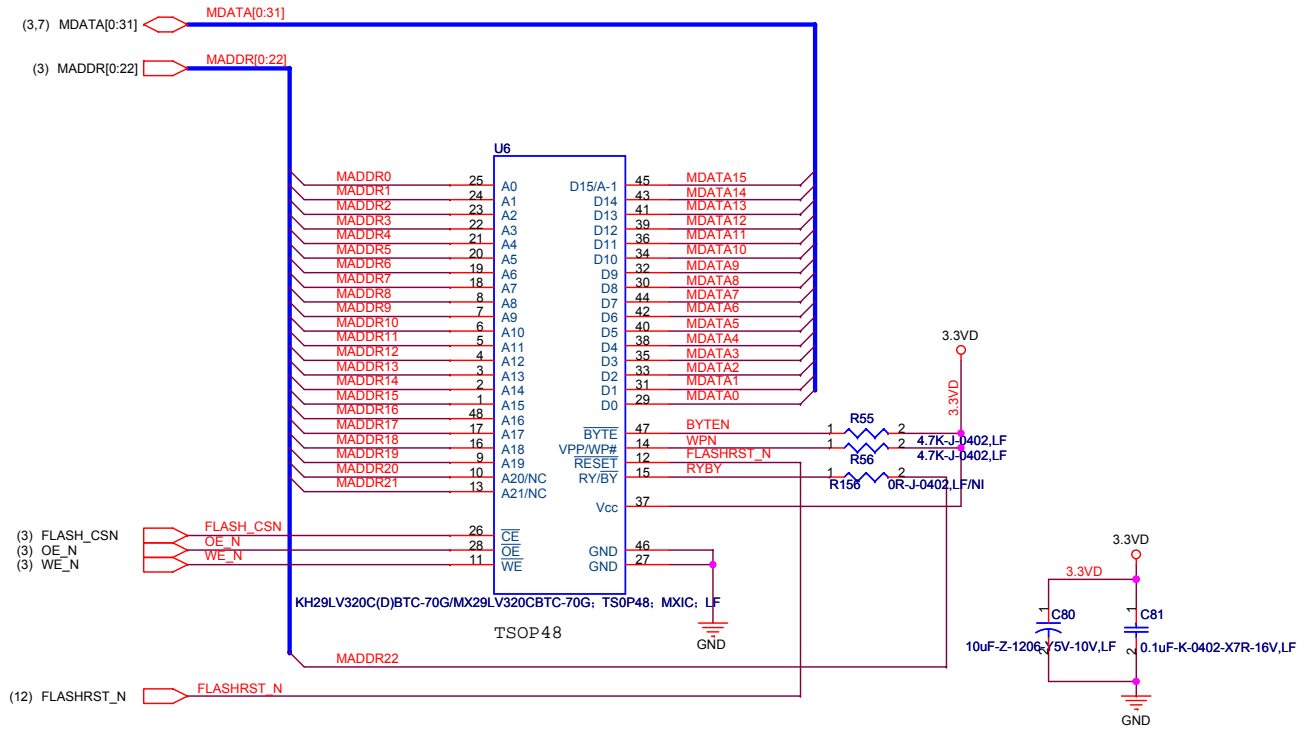


RT3052:11n wlan controller:TPBGA289;RaLink;LF

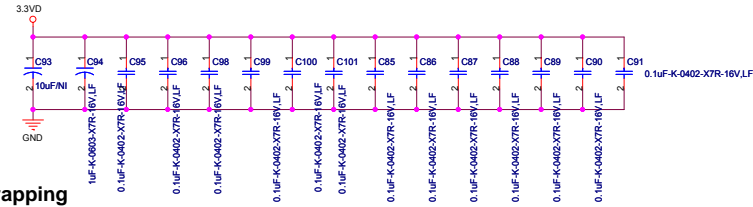
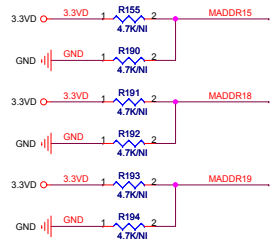
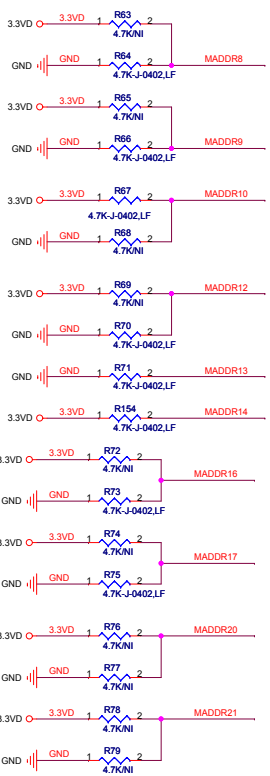
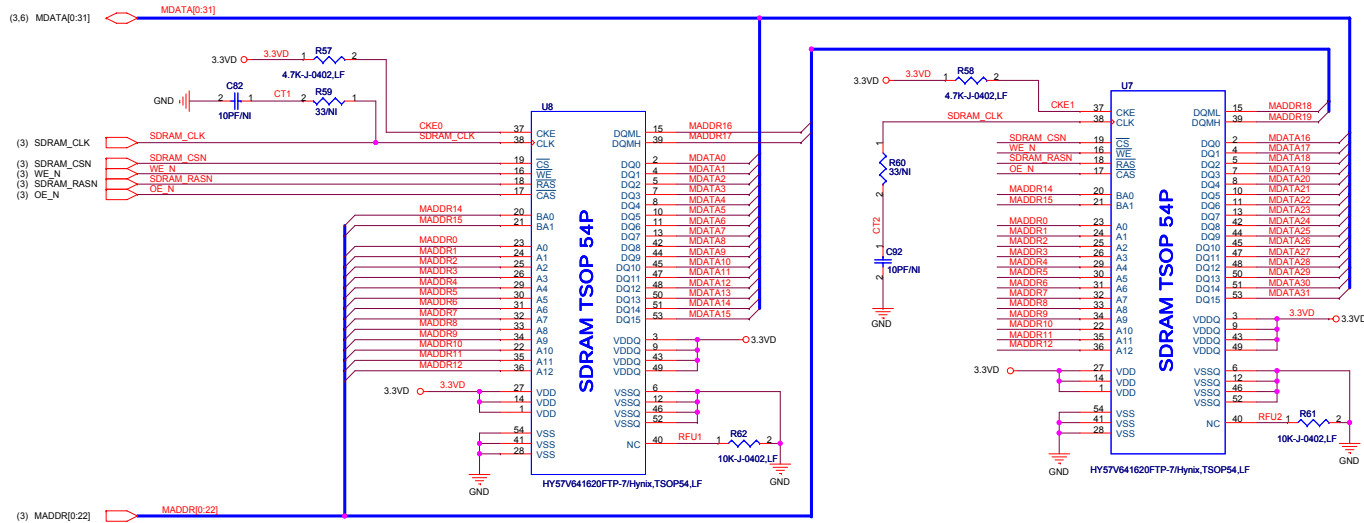
TENDA		
W307R		
Title		
Size B	Document Number	Rev 0.1
	13-RT3052-Ethernet-C.SCH	
Date:	Thursday, June 18, 2009	Sheet 4 of 14



TENDA		
W307R		
Size B	Document Number 14-R3052-Power-D.SCH	Rev 0.1
Date Thursday, June 18, 2009	Sheet 5	of 14

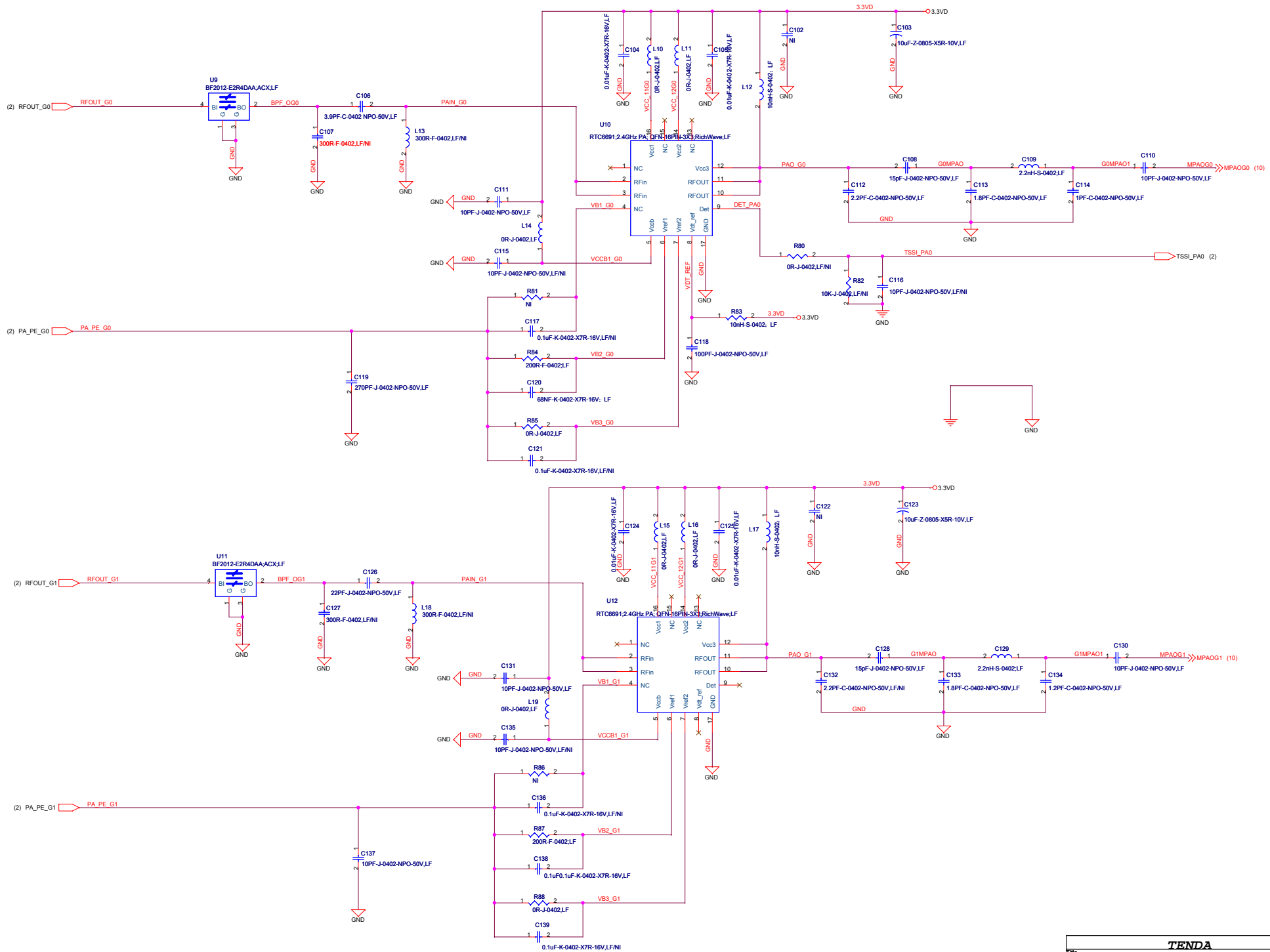


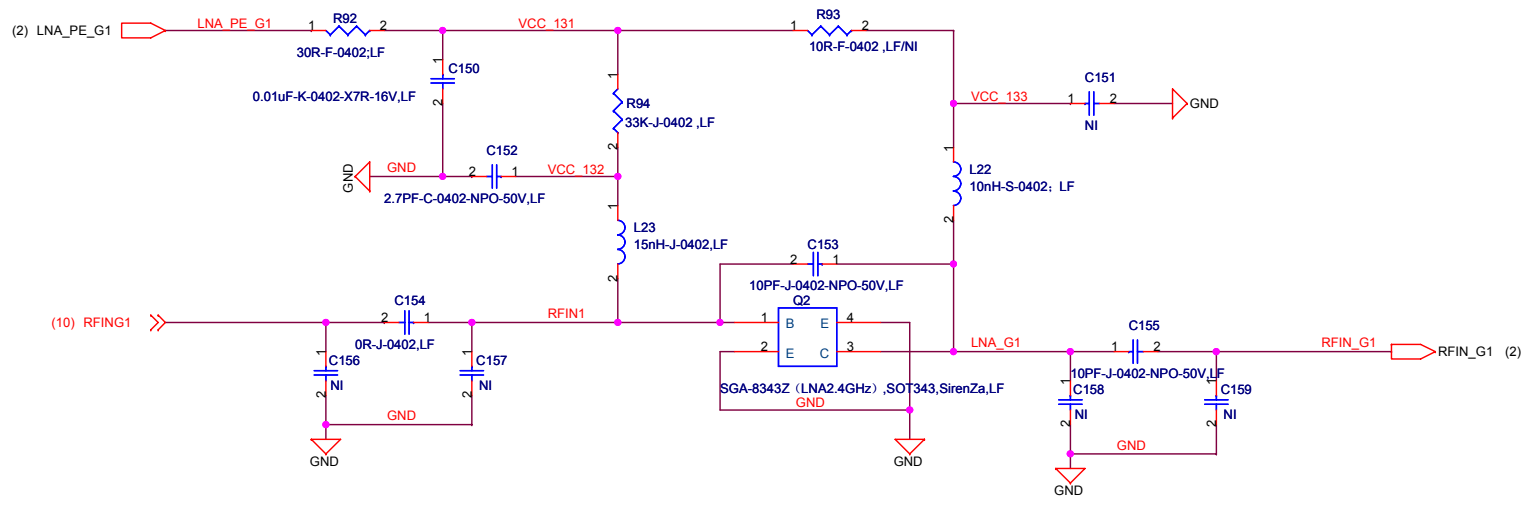
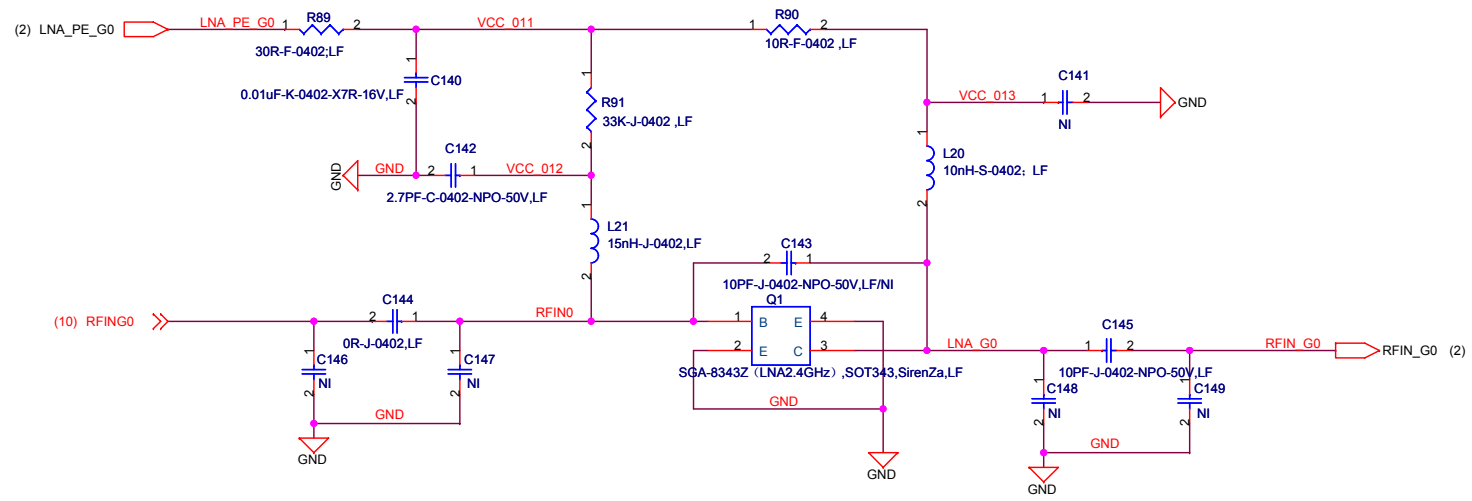
TENDA		
W307R		
Size B	Document Number 21-FALSH.SCH	Rev 0.1
Date: Thursday, June 18, 2009	Sheet 6	of 14



Boot Up Strapping

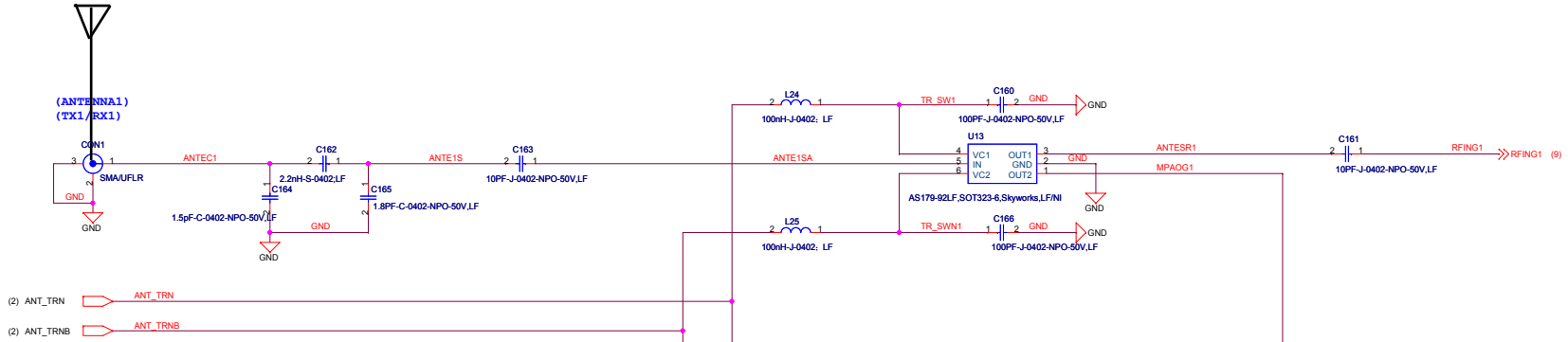
Pin Name	Description	Value=0	Value=1
MA[9:8]	BOOT FROM	00 : 16bit flash 01 : 8bit flash 10 : NAND Flash 11: Internal ROM	
MA10	CPU CLK SEL	320Mhz	384Mhz*
MA12	BIG ENDIAN	Little*	Big
MA13	Bypass PLL	Not Bypass*	Bypass
MA14	Boot Addr	0x1FC00000*	0x1F000000
MA15	Reserved		
MA[17:16]	GE MODE	Gagabit Port Mode 00 : RGMII (10/100/1000 bps)* 01 : MII(10/100 bps) 10 : Reversed MII(10/100 bps) 11 : Reversed	
MA18	Reserved		
MA19	Reserved		
MA20	iNIC SDRAM	2MB*	8MB
MA21	iNIC Config	NA	EEPROM /MA20



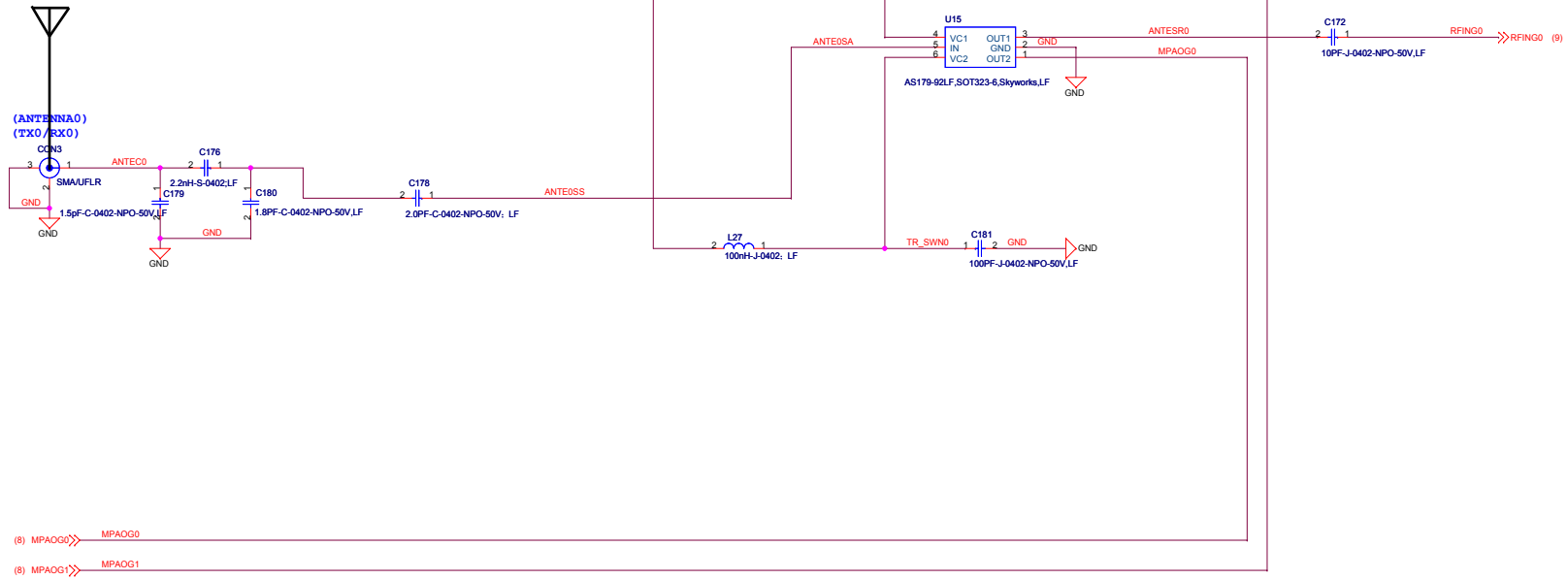


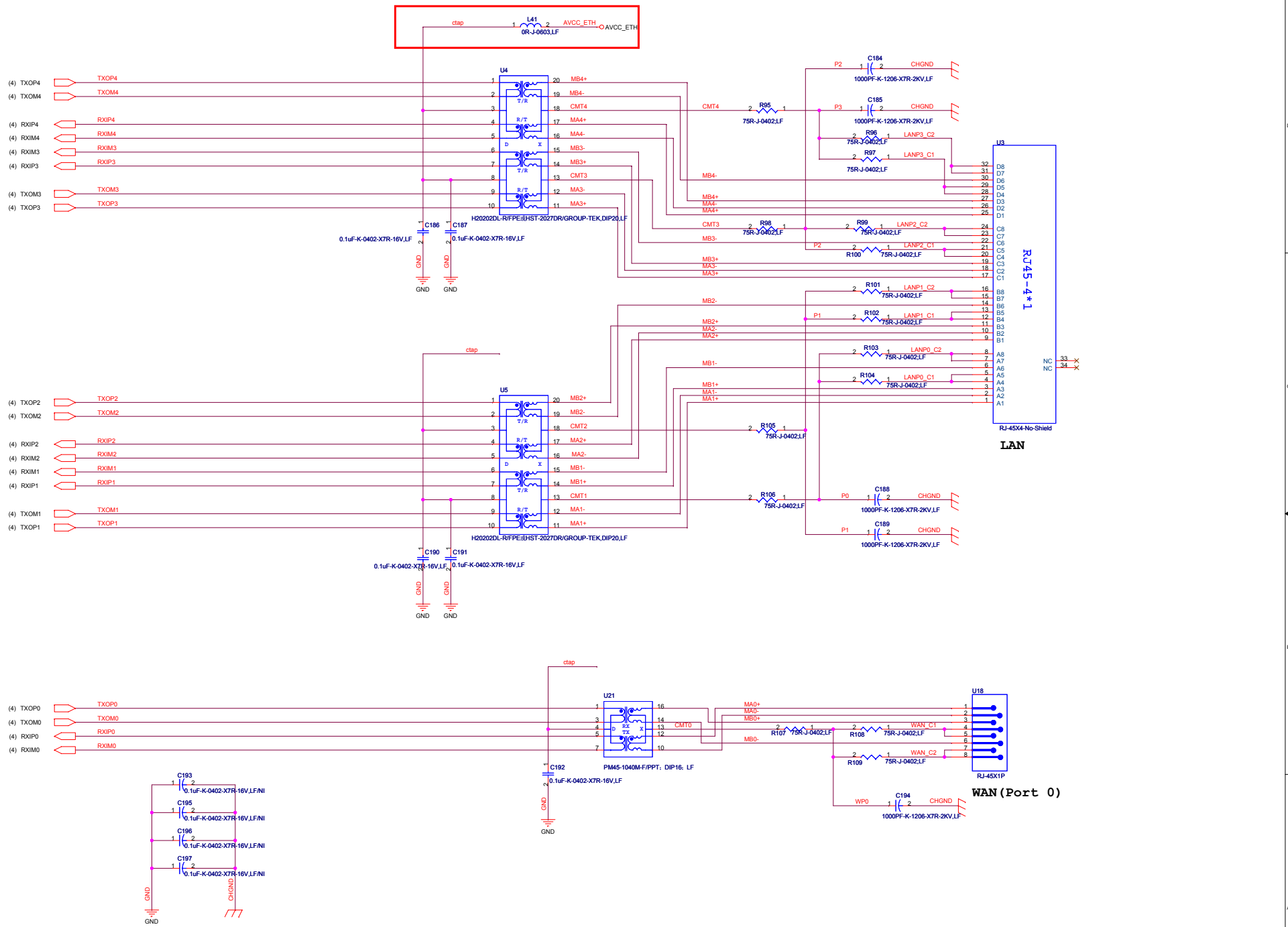
TENDA		
W307R		
Size B	Document Number 32-LNA.SCH	Rev 0.1
Date: Thursday, June 18, 2009	Sheet 9	of 14

Ant. Chain1 2412~2462MHz



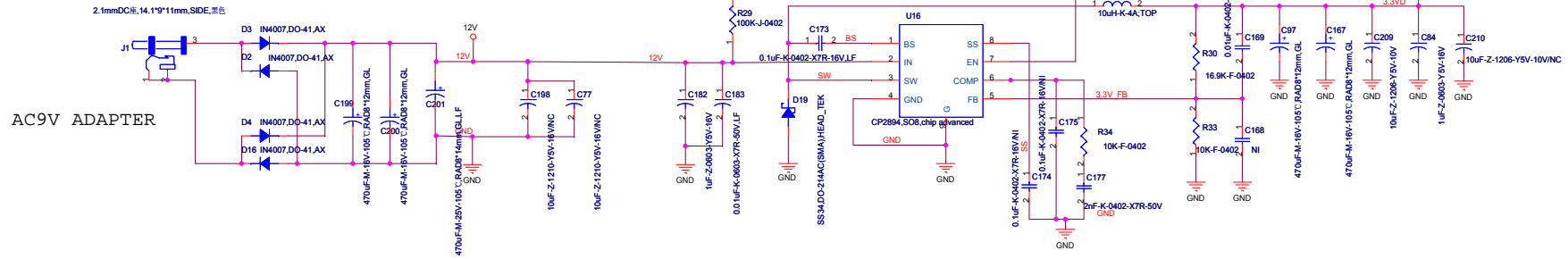
Ant. Chain0 2412~2462MHz



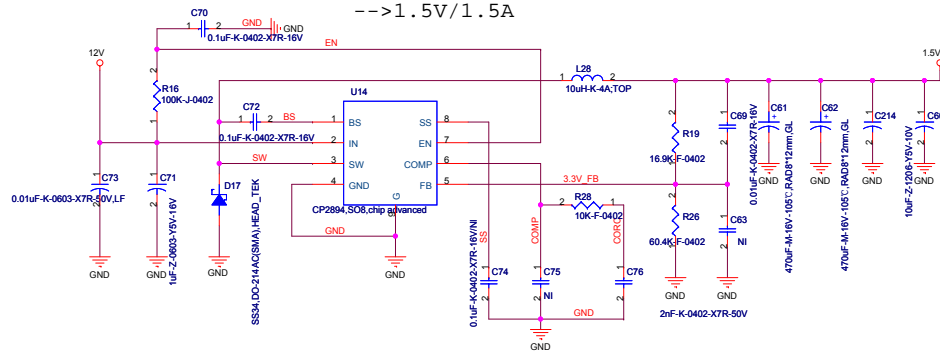


TENDA		
W307R		
File	4-XMER-RJ45.SCH	
Size	Document Number	Rev
C		0.1
Date:	Thursday, June 18, 2009	Sheet 11 of 14

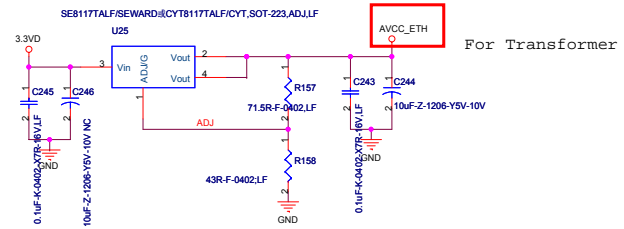
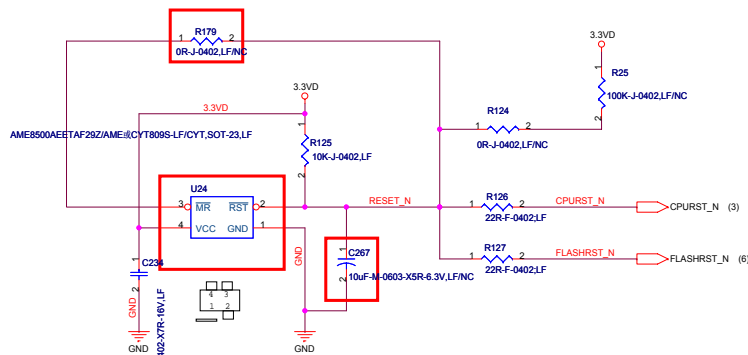
-->3.3V/1.5A

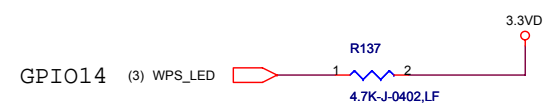
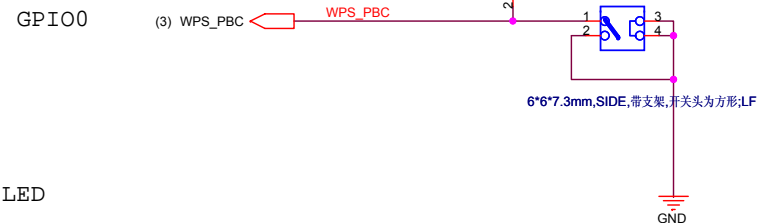
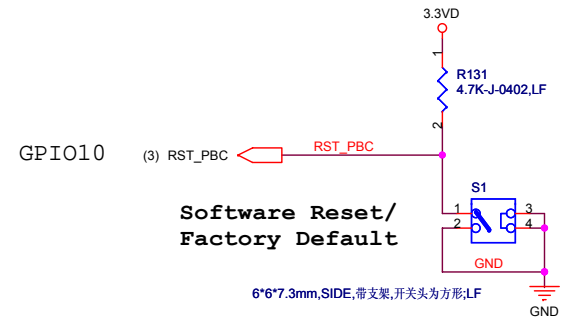
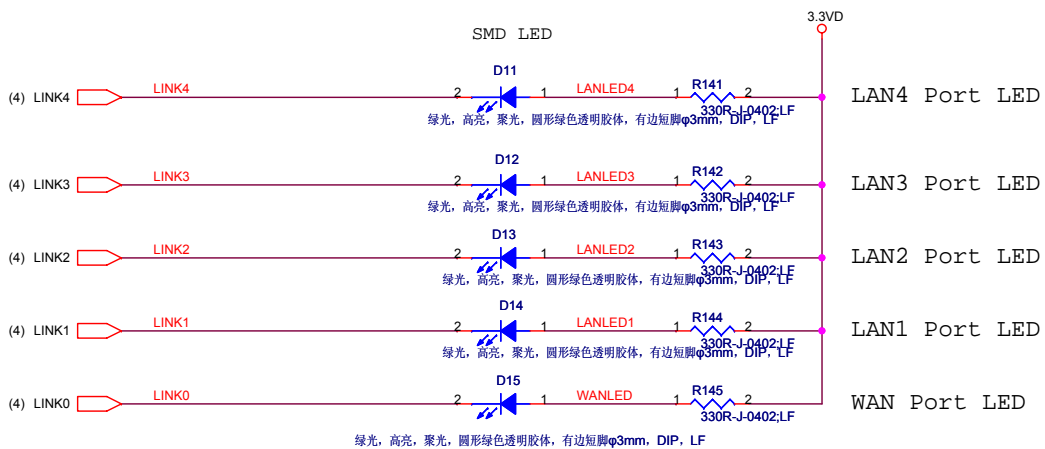
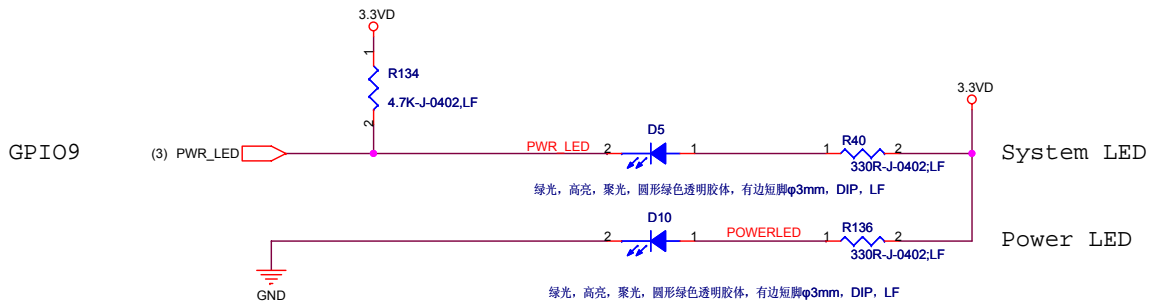
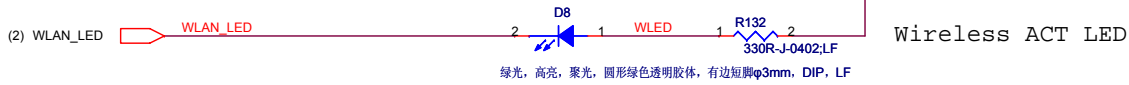
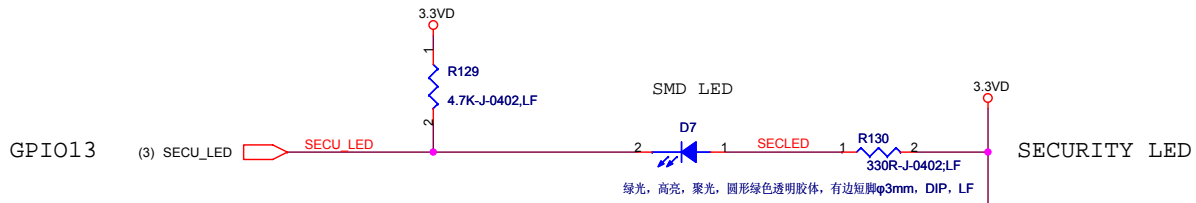


-->1.5V/1.5A



Reset Circuit





TENDA		
W307R		
Size B	Document Number	Rev
	6-LED.SCH	0.1
Date:	Thursday, June 18, 2009	Sheet 13 of 14