

WHA YU INDUSTRIAL CO., LTD. (HEAD OFFICE)
 DONGGUAN AEON TECH CO.,LTD.(CHINA)
 TAI HWA ELECTRONIC CO., LTD.(CHINA)
 SHANGHAI HUA YU ELECTRONIC CO., LTD.(CHINA)
 SU ZHOU AEON TECH CO., LTD. (CHINA)

SPECIFICATION FOR APPROVAL

CUSTOMER: 深圳市吉祥騰達有限公司

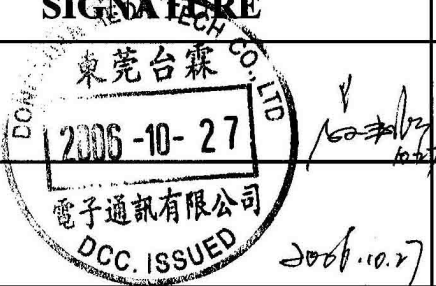
PART NAME: RF Antenna Assembly

PART NO.: 31000000069

REVISION:

W. Y. P/NO.: K137-510022-A

REV.: X1

	MANUFACTURER SIGNATURE	CUSTOMER SIGNATURE
APPROVED BY :		
DATE :		

WHA YU GROUP

WHA YU INDUSTRIAL CO., LTD.(HEAD OFFICE)

譚裕實業股份有限公司

Address: No. 326, Sec. 2, Kung Tao 5 Road, Hsin Chu City, Taiwan, R.O.C.

Tel: +886-3-5714225(REP.) Fax: + 886-3-5713853 · + 886-3-5723600

DONGGUAN AEON TECH CO., LTD.(CHINA)

東莞台霖電子通訊有限公司

Address: Lakeside Industrial Park, Da Ling Shan Town, Dong Guan City, Guangdong, China

Tel: + 86-769-85655858 Fax: + 86-769-85655258

TAI HWA ELECTRONIC FACTORY

台樺電業製品廠

Address: Pak Ho District, Hou Street Town, Dong Guan City, Guangdong, China

Tel: + 86-769-85599375 · + 86-769-85912375 Fax: + 86-769-85599376

HUA HONG INTERNATIONAL LTD.

華弘國際有限公司

Address: Rm.1103A, President Commercial Centre, 608 Nathan Road, Mong Kok, Kowloon, Hong Kong

Tel: + 86-852-27712210 Fax: + 86-852-23843747

SHANGHAI HUA YU ELECTRONIC CO., LTD. (CHINA)

上海譚裕電子有限公司

Address: 3586, Wai Qing Song Road, Qing Pu County, Shanghai China

Tel: + 86-21-59741348 · + 86-21-59744101~4 Fax: + 86-21-59741347

SU ZHOU AEON TECH CO., LTD. (CHINA)

蘇州華廣電通有限公司

Address: Limin North Road, LiLi Town, LiLi Industrial Park, LinHu Economic Zone

Wujiang City, Jiangsu Province, China

Tel: + 86-512-63627980 Fax: + 86-512-63627981

Contents

<i>Item</i>	<i>Description</i>	<i>Page</i>
1.	規格表 1
2.	成品圖 2
3.	測試報告 3~5

RF Antenna Assembly

Specification

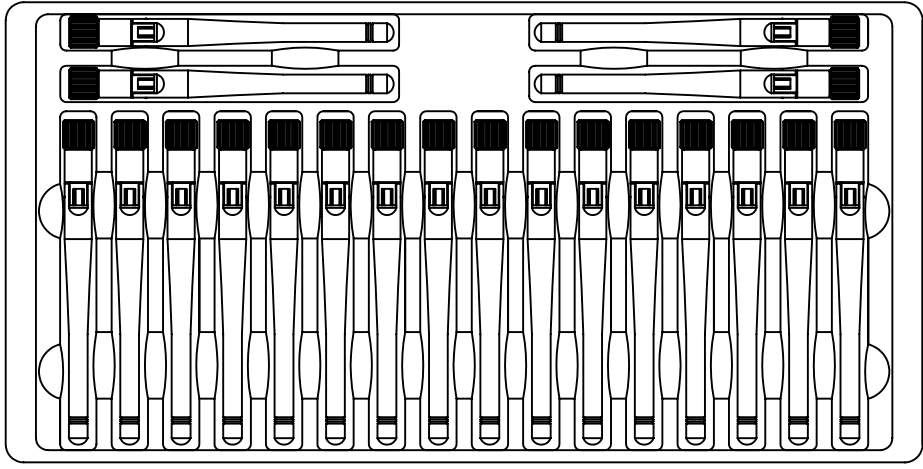
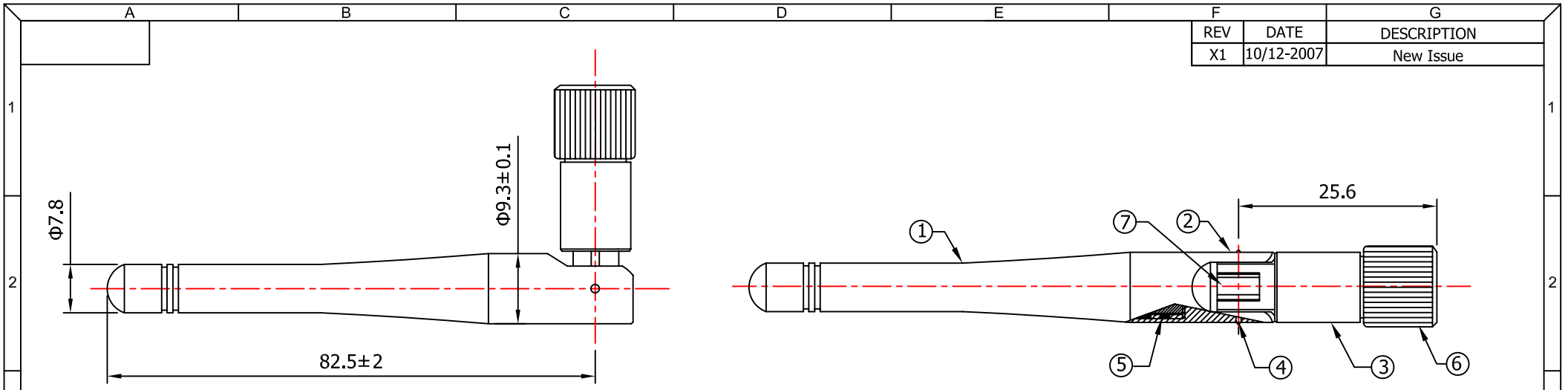
1. Electrical Properties :

- 1.1 Frequency Range..... 2.4GHz ~ 2.5GHz
- 1.2 Impedance 50Ω Nominal
- 1.3 VSWR 1.92 :1Max.
- 1.4 Return Loss..... -10 dB Max.
- 1.5 Radiation Omni-directional
- 1.6 Gain(peak)..... 1.8dBi
- 1.7 Polarization..... Linear; Vertical
- 1.8 Admitted Power..... 1W
- 1.9 Cable..... RG-178 Coaxial Cable
- 1.10 Connector..... SMA Plug Reverse

2. Physical Properties :

- 2.1 Antenna Body..... TPE
- 2.2 Antenna Base..... PC
- 2.3 Antenna Base..... PBT
- 2.4 Operating Temp. -20 ~ +65
- 2.5 Storage Temp. -30 ~ +75
- 2.6 Color Black

F		G
REV	DATE	DESCRIPTION
X1	10/12-2007	New Issue



NO	DESCRIPTION	Q'TY	REMARK
7	Cable	RG-178 Cable,Transparent Brown,50 Ω	1
6	Connector	SMA Straight Plug/Reverse	1
5	Ground Tube	Brass,Tin-Plated	1
4	Rivet	POM;Color:Black	2
3	Antenna Base	PBT,Color:Black	1
2	Antenna Base	PC,Color:Black	1
1	Antenna Cover	TPE,Color:Black	1

CUSTOMER'S SIGNATURE	XX.	±5	APPROVED
	X.	±3.0	
	.X	±1.0	CHECKED
	.XX	±0.5	
	.XXX	±0.1	DRAWING

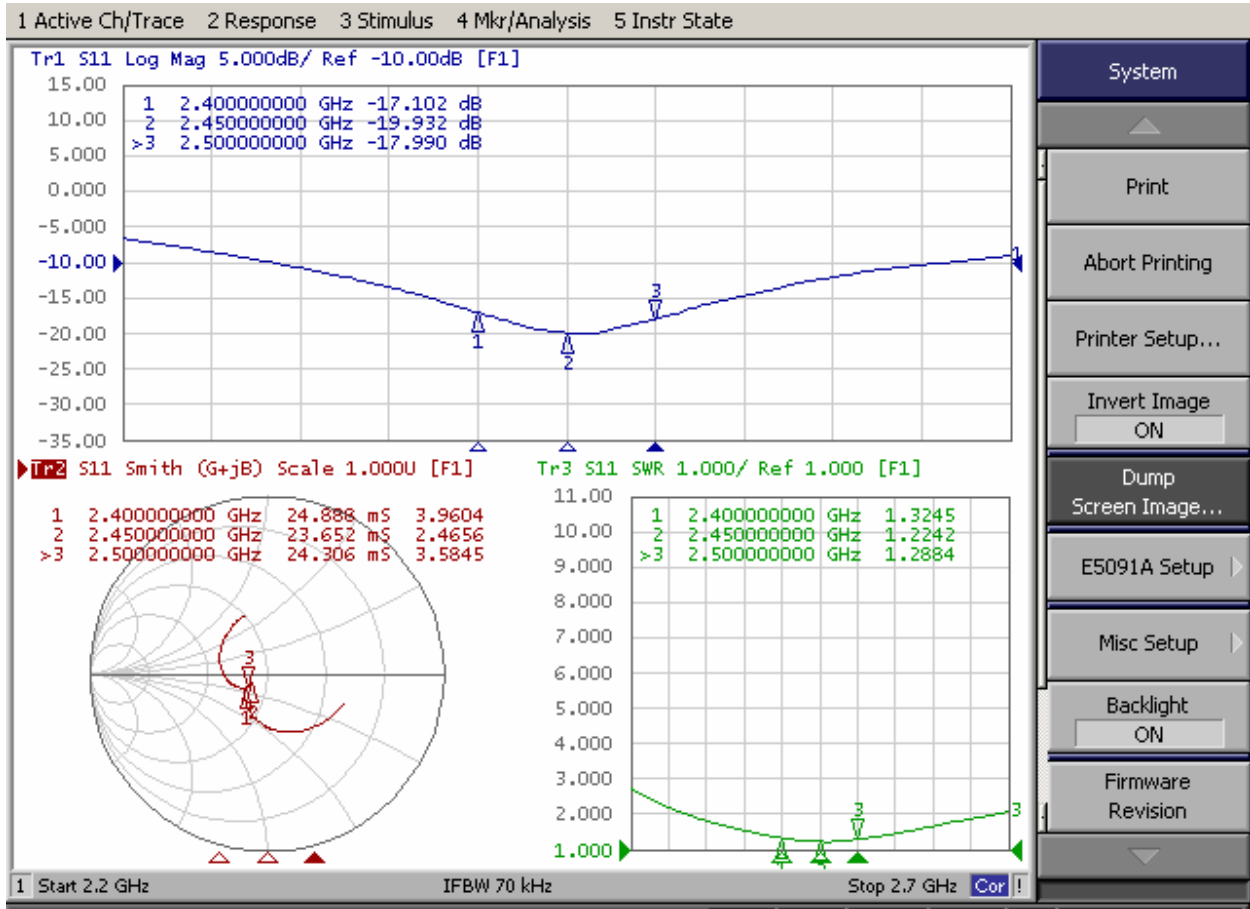
CUSTOMER: 深圳市吉祥騰達有限公司		
PART NO :	31000000069	
PART NAME:	RF Antena Assembly	
W.Y P/NO :	C4014-510022-A	
REV	UNIT	FILE :
X1	m/m	SHEET : 1/1

M.gear Wha Yu Group

THIS DRAWING, AND ITS INHERANT DESIGN CONCEPTS, ARE THE PROPERTY OF WHA YU AND AS SUCH MAY NOT BE COPIED, REPRODUCED, OR GIVEN TO THIRD PARTIES WITHOUT THE WRITTEN CONSENT OF WHA YU.

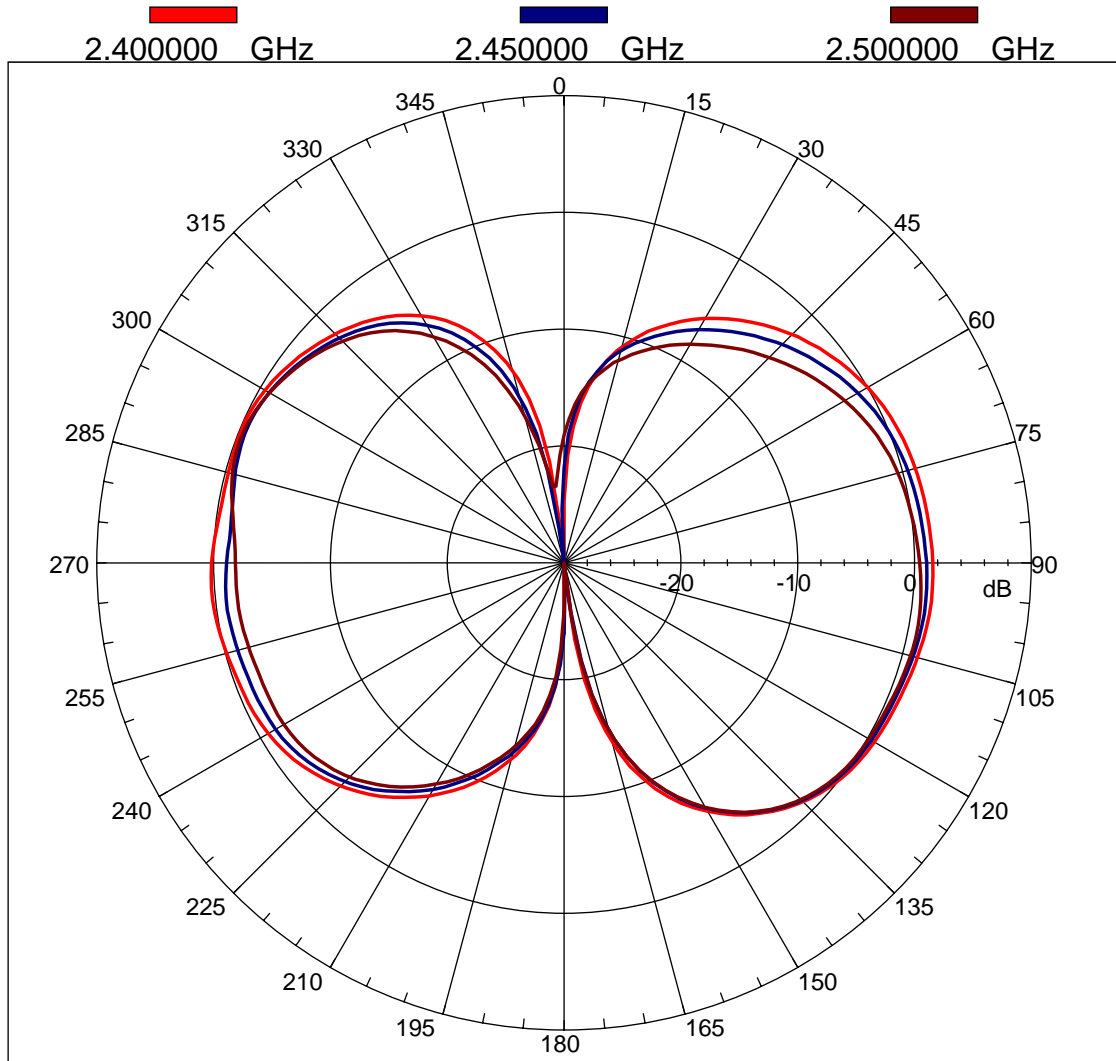
RF Antenna Assembly

P/No.K137-510022-A Spec:2.4~2.5GHz



Far-field amplitude of K137-510022-A

E H-PLANE.nsi



Far-field amplitude of K137-510022-A V H-PLANE01.nsi

