

D

Product Name: W3002R
Common Product: N/A

C

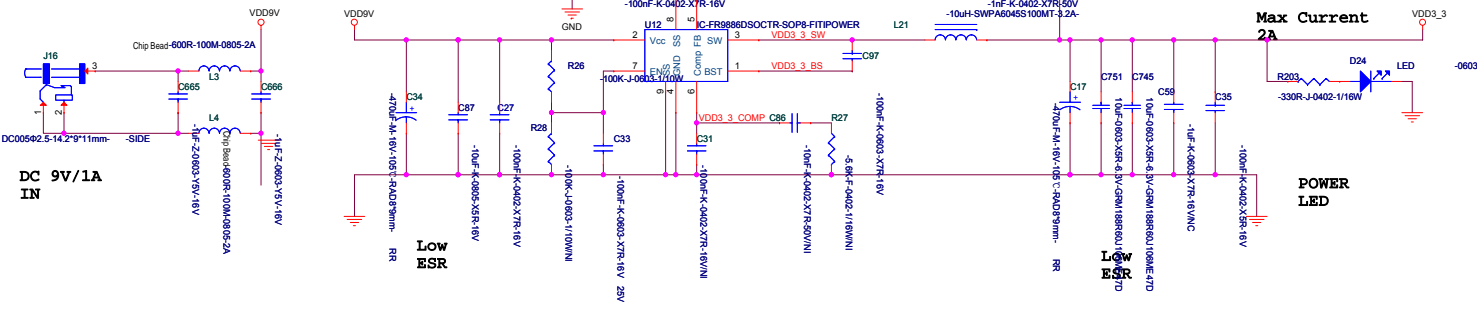
Wireless Router

B

A

TENDA		
Title		
W3002R		
Size A4	Document Number Cover Page	Rev V0.1
Date:	Monday, December 24, 2012	Sheet 1 of 15

DC 9V/1A
IN

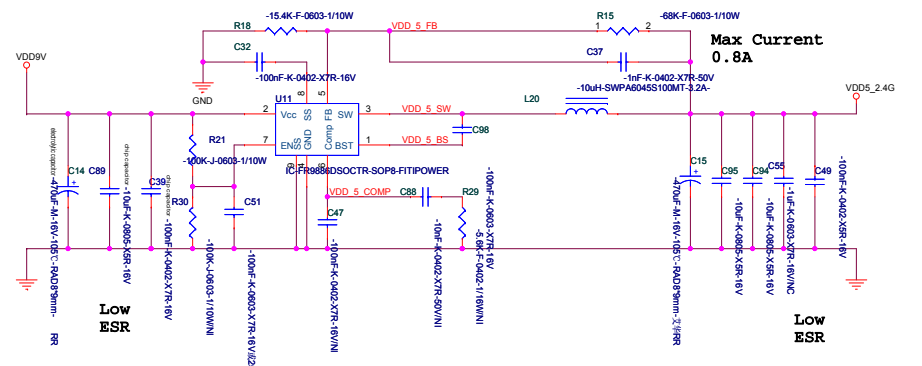


Low ESR

Low ESR

Max Current
2A

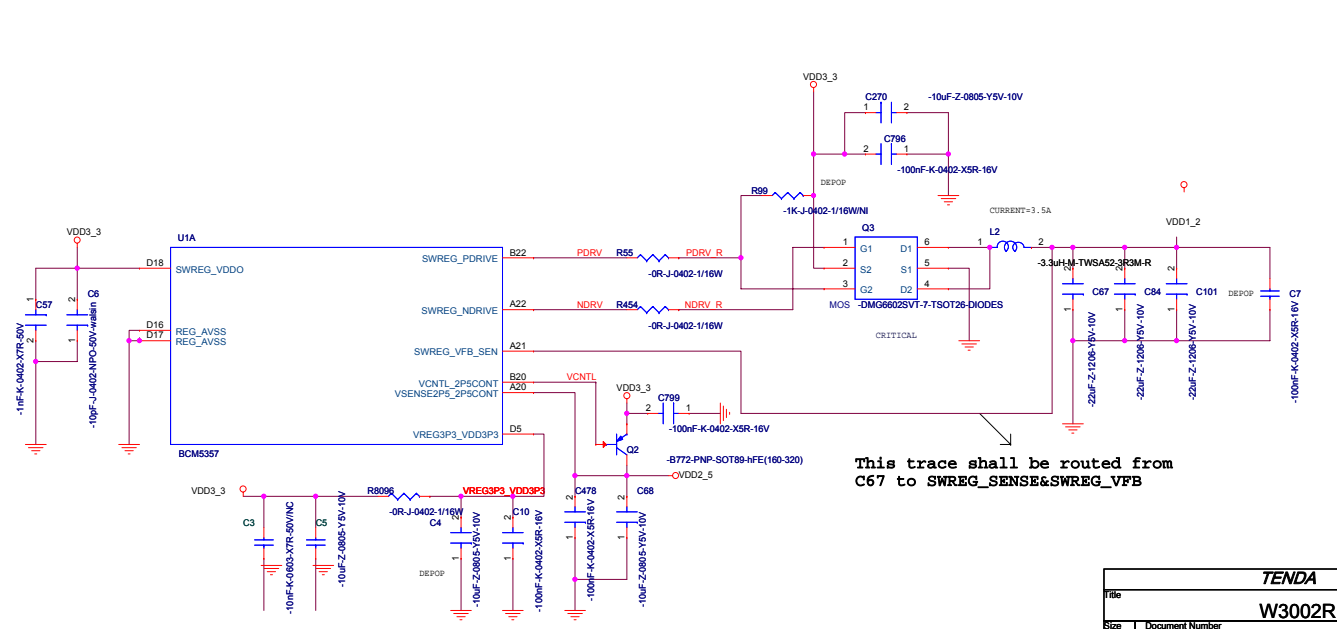
POWER
LED



Max Current
0.8A

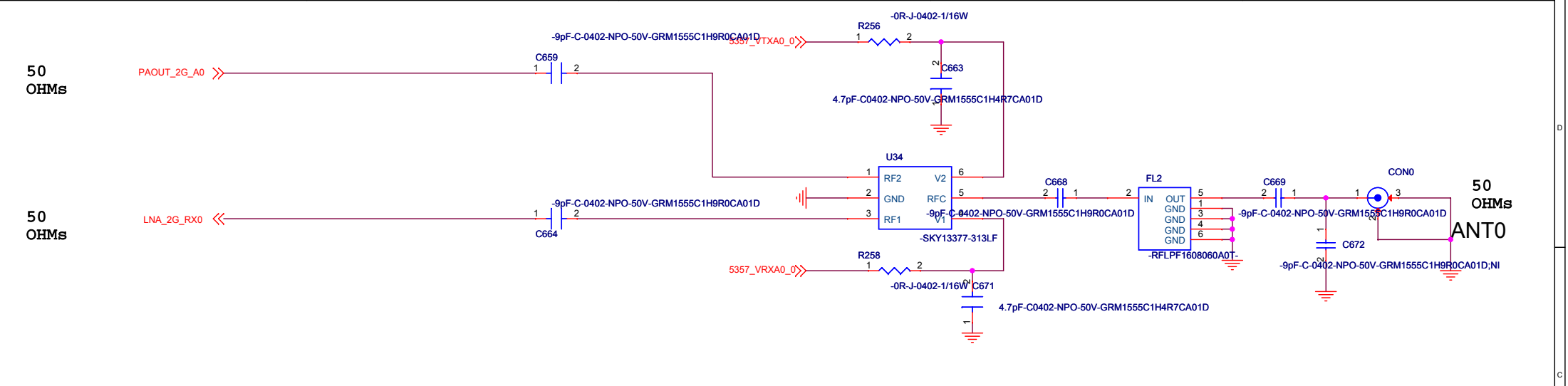
Low ESR

Low ESR

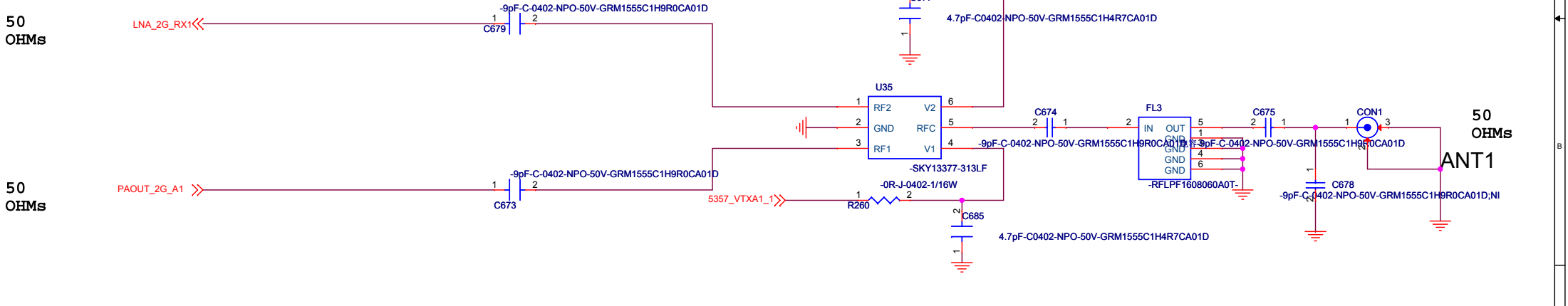


This trace shall be routed from
C67 to SWREG_SENSE&SWREG_VFB

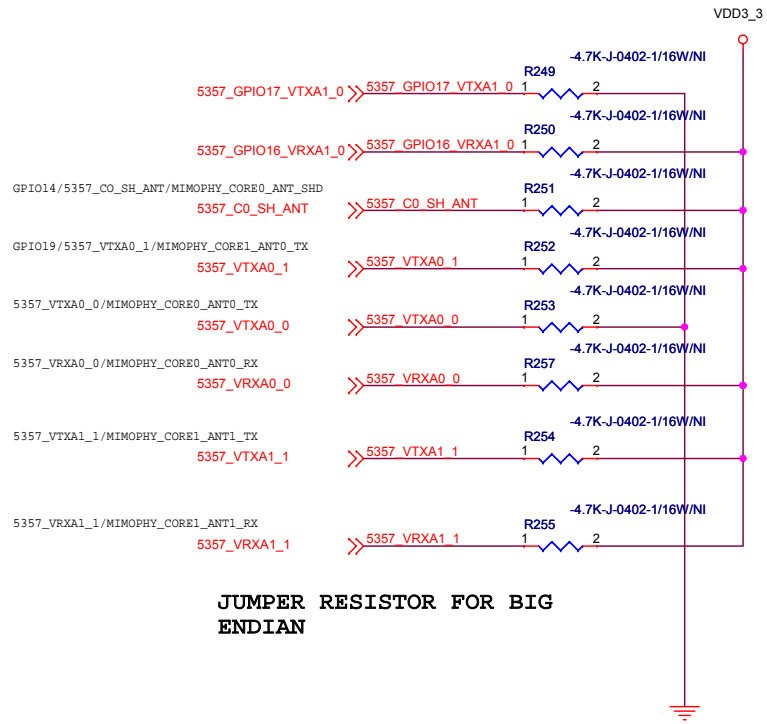
TENDA			
File	W3002R		
Doc	Document Number	power supply	Rev V0.1
Date:	Monday, February 18, 2013	Sheet	5 of 15



V1 (pin4)	V2 (pin6)	Insertion Loss State
1	0	RFC to RF1
0	1	RFC to RF2



TENDA		
Title		
W3002R		
Size	Document Number	Rev
B	power supply	V0.1
Date:	Thursday, March 28, 2013	Sheet 6 of 15

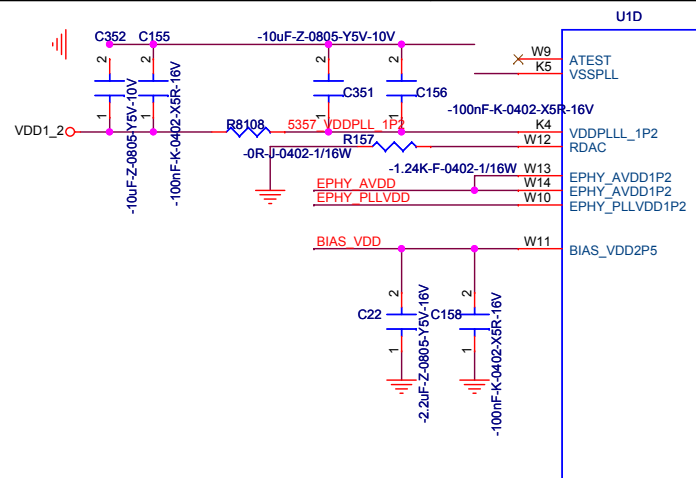


JUMPER RESISTOR FOR BIG ENDIAN

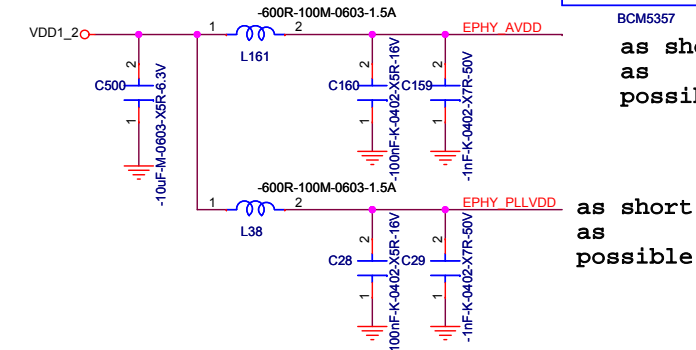
Strapping Description

PIN NAME	DEFAULT	SETTING	DESCRIPTION	VALUE = 0	VALUE = 1
GPIO [17:16]	10	10	Boot Type 00: DDR boot 01: ROM boot 10: Serial Flash boot 11: Nand boot		
GPIO14/mimophy_core0_ant_shd	0	0	Flash Type	ST Serial Flash	Atmel Serial Flash
gpio19/mimophy_core1_ant0_tx	0	0	Clock Ratio	mips:pi301a:pi301b=133:133:133	mips:pi301a:pi301b=533:266:133
mimophy_core0_ant0_tx	1	1	DDR I or II Mode	DDR2 mode	DDR1 mode
mimophy_core0_ant0_rx	0	0	NAND Flash Present	NAND Flash not present	NAND Flash Present
mimophy_core1_ant1_tx	0	1	DDR1 Class	DDR1_sst1_class1	DDR1_sst1_class2
mimophy_core1_ant1_rx	0	0	MIPS_Endian	Little Endian	Big Endian

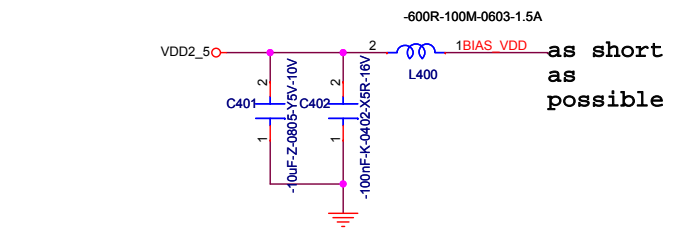
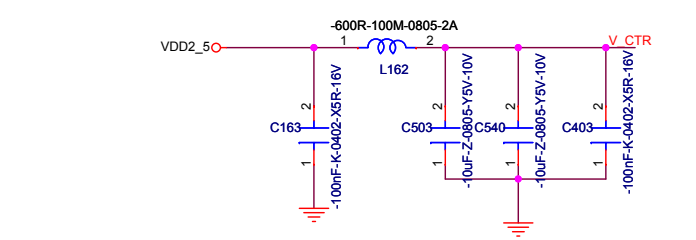
TENDA		
Title		
W3002R		
Size B	Document Number	Rev
	Boot Strapping	V0.1
Date:	Monday, December 24, 2012	Sheet 7 of 15



as short as possible

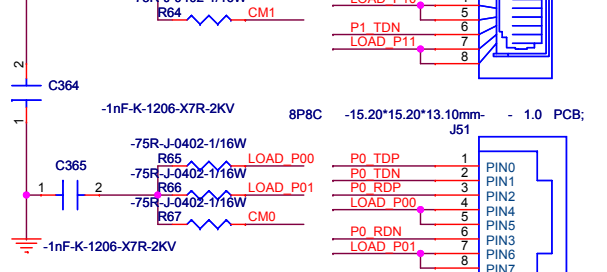
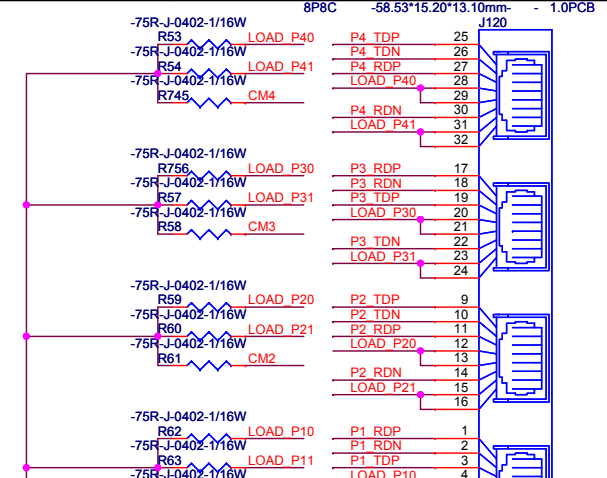
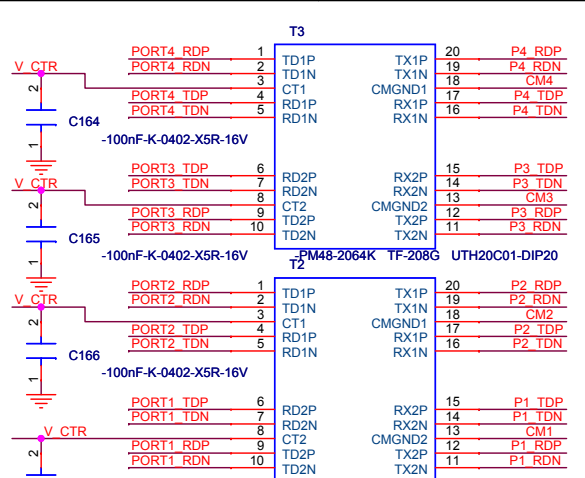
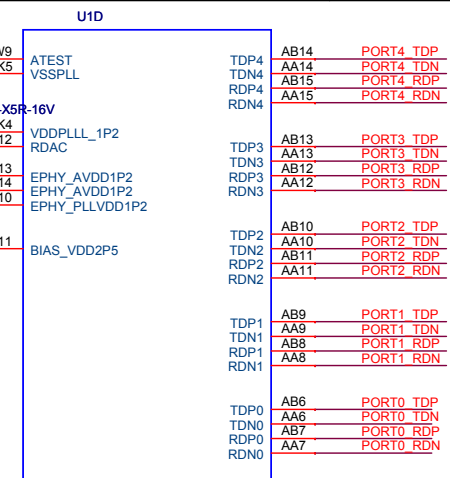
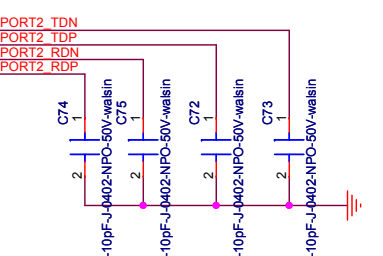
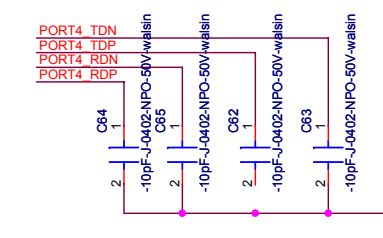
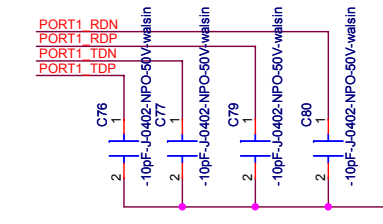
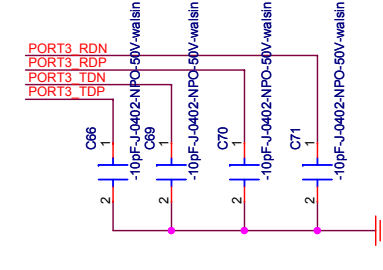
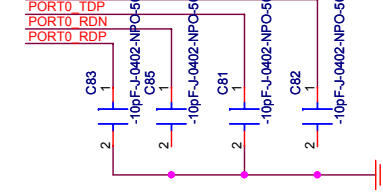


as short as possible

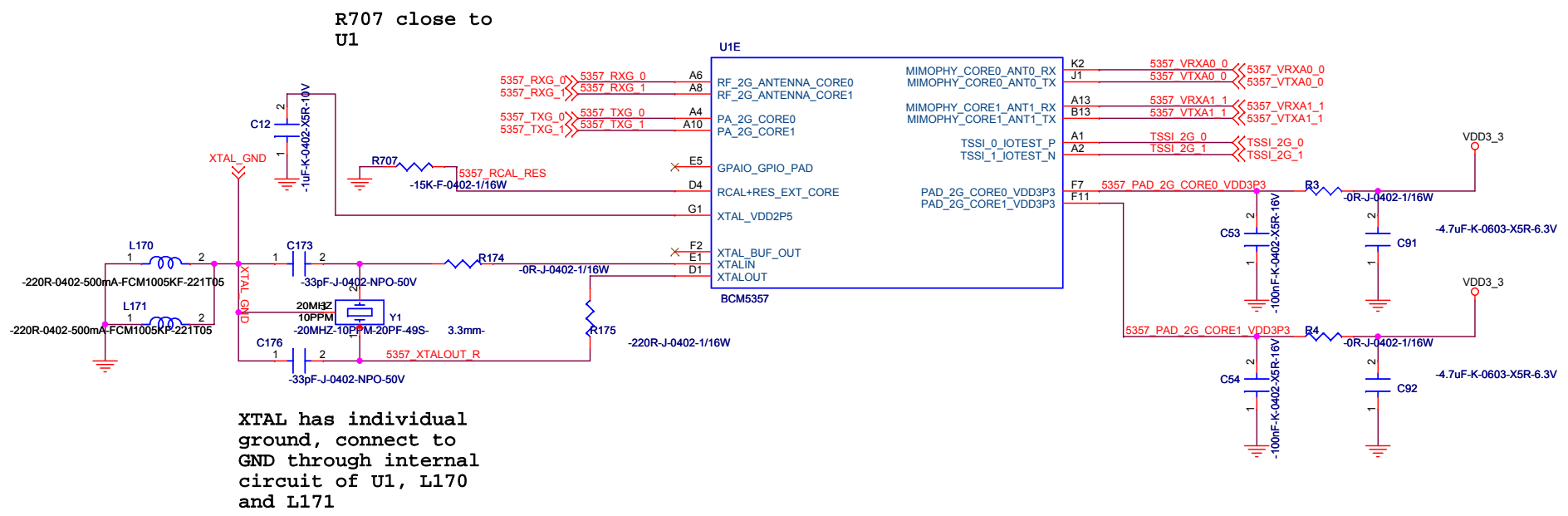


as short as possible

Close to Transformer



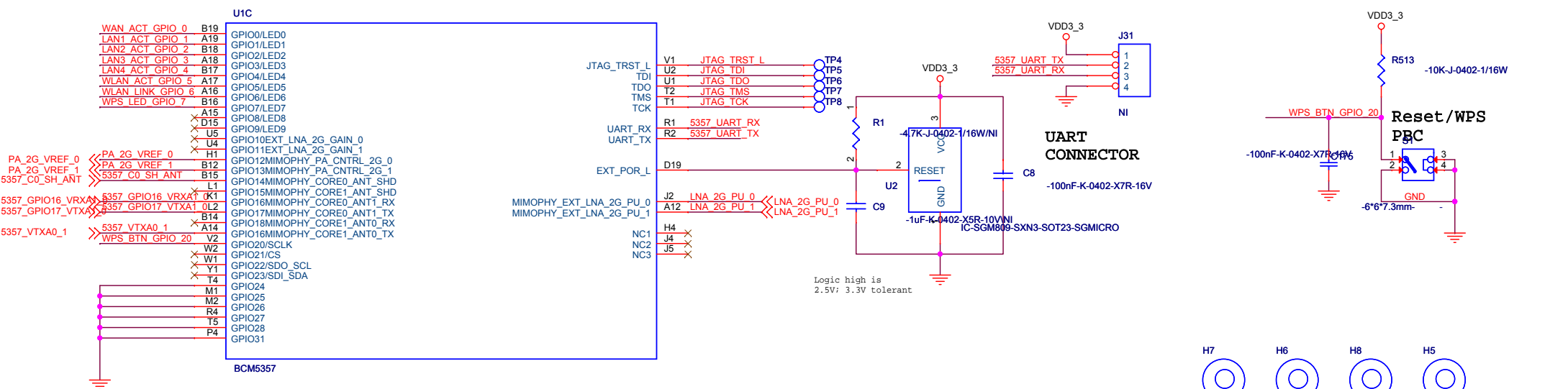
TENDA		
W3002R		
Size B	Document Number	Rev V0.1
Date:	Monday, February 18, 2013	Sheet 8 of 15



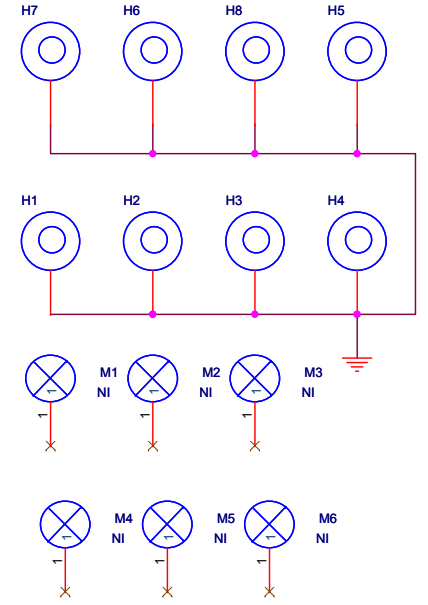
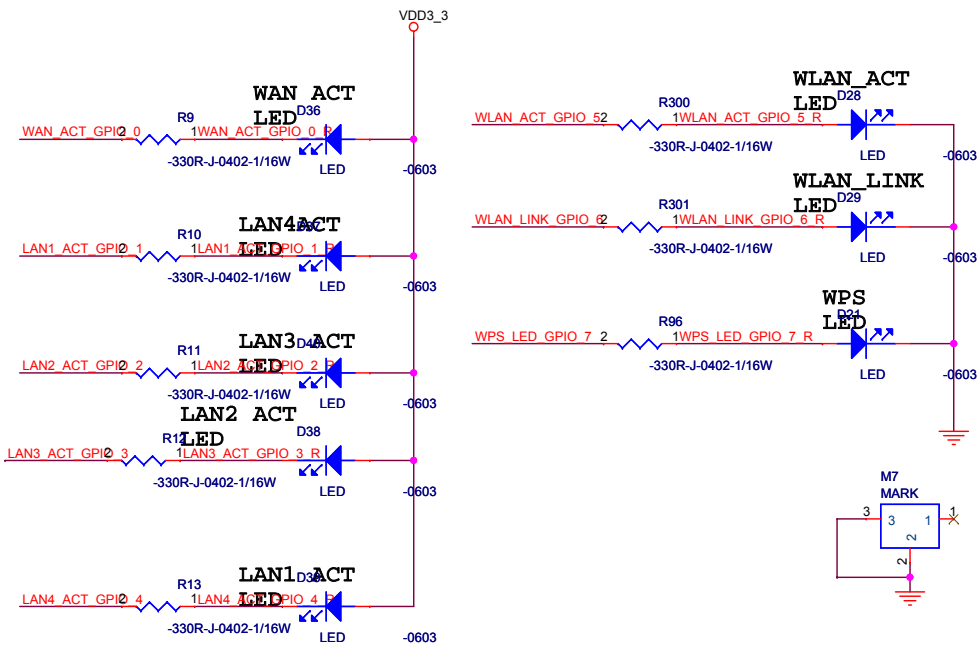
XTAL has individual ground, connect to GND through internal circuit of U1, L170 and L171

R707 close to U1

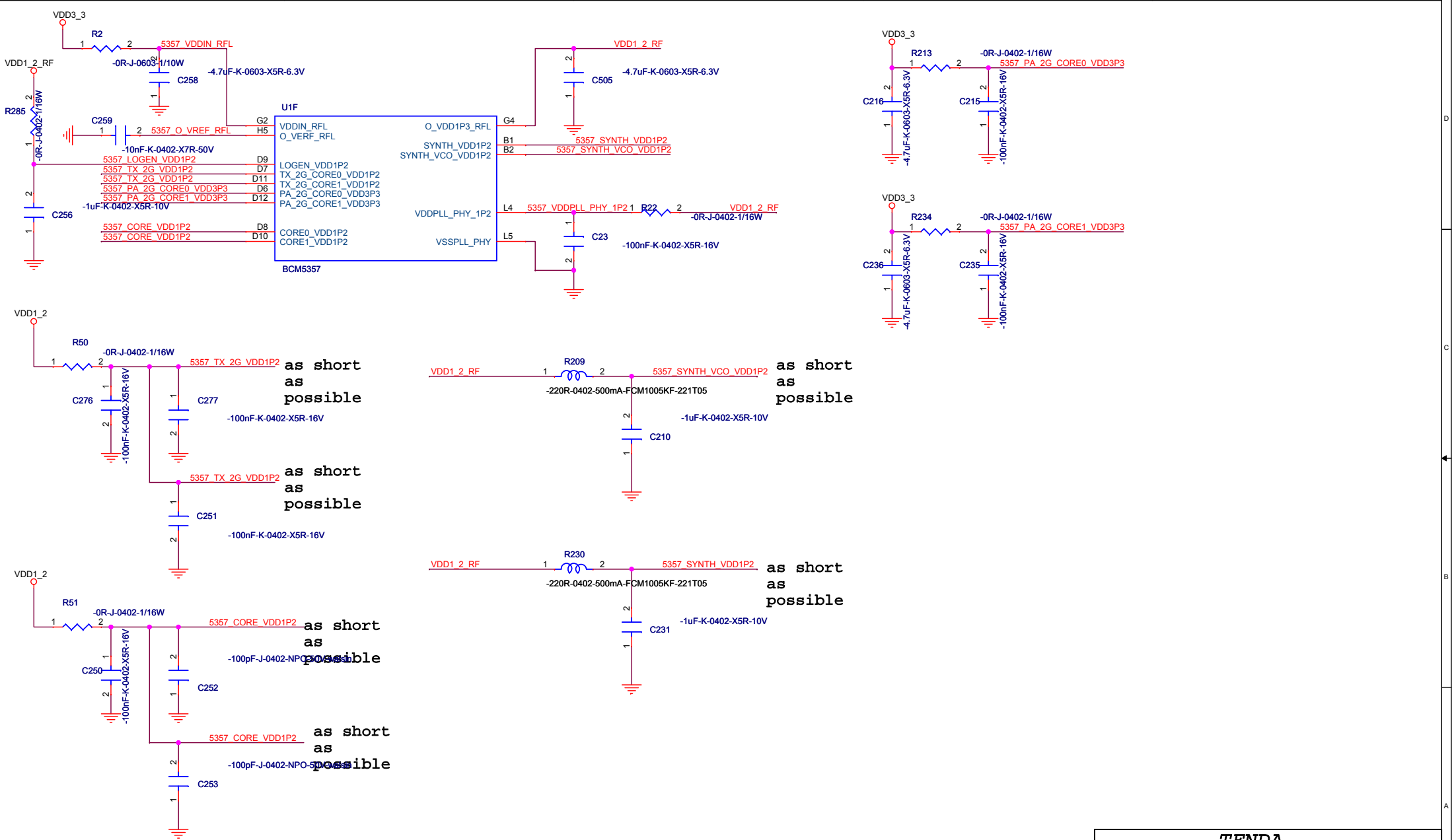
TENDA		
Title		
W3002R		
Size	Document Number	Rev
B	MIMO	0.1
Date:	Monday, December 24, 2012	Sheet 9 of 15



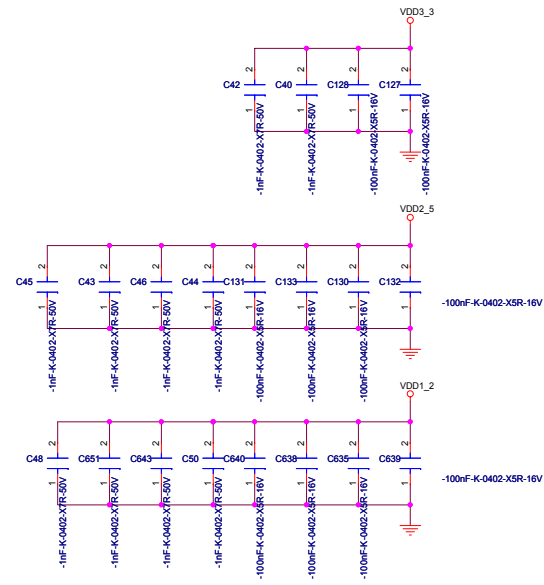
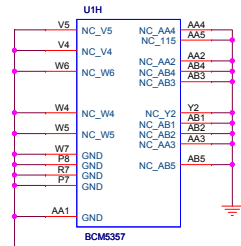
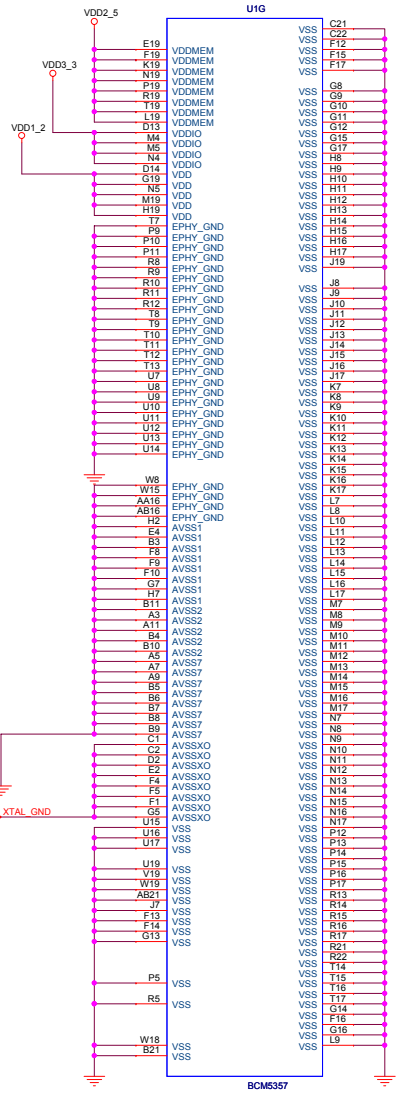
GPIO24-GPIO28 and GPIO31 were GND originally. They are changed to gpio pins for EPHY testing.



TENDA		
W3002R		
Size B	Document Number	Rev V0.1
MISC		
Date:	Saturday, January 12, 2013	Sheet 10 of 15

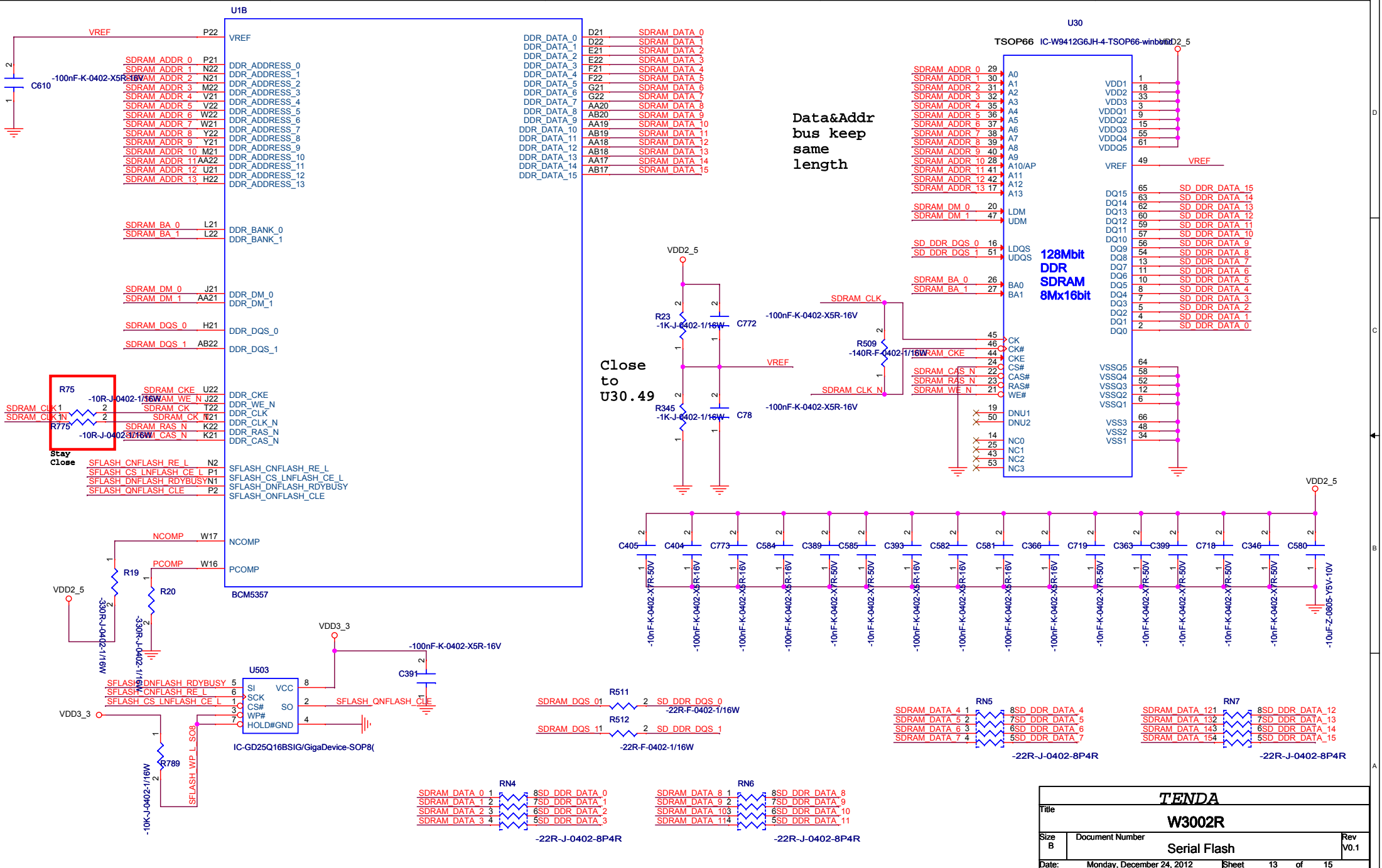


TENDA		
W3002R		
Size B	Document Number	Rev V0.1
Power Module		
Date:	Tuesday, January 08, 2013	Sheet 11 of 15



Close to U1

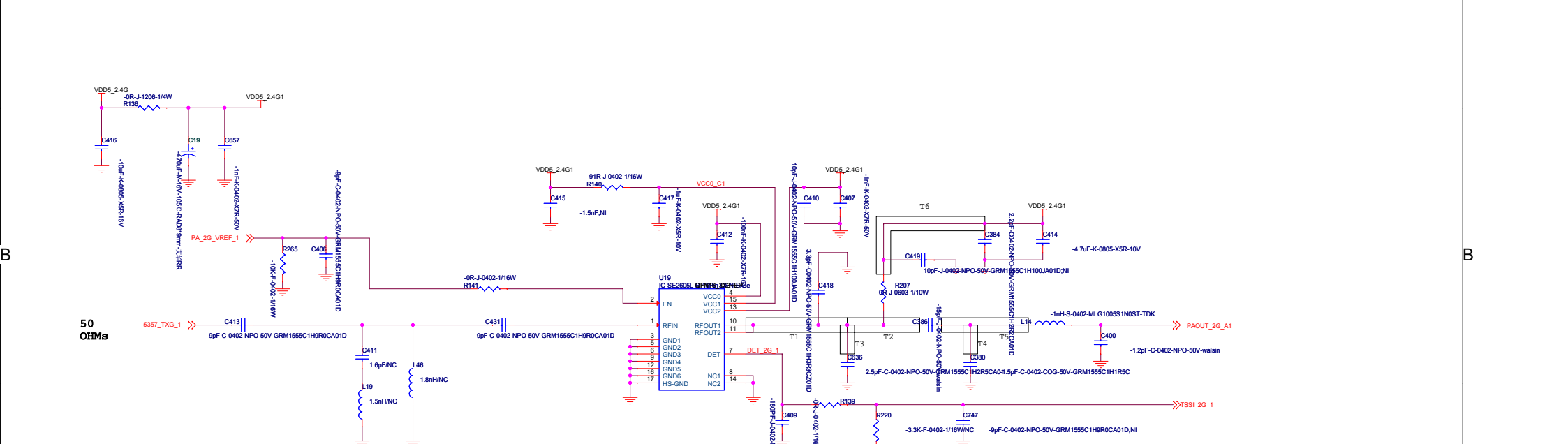
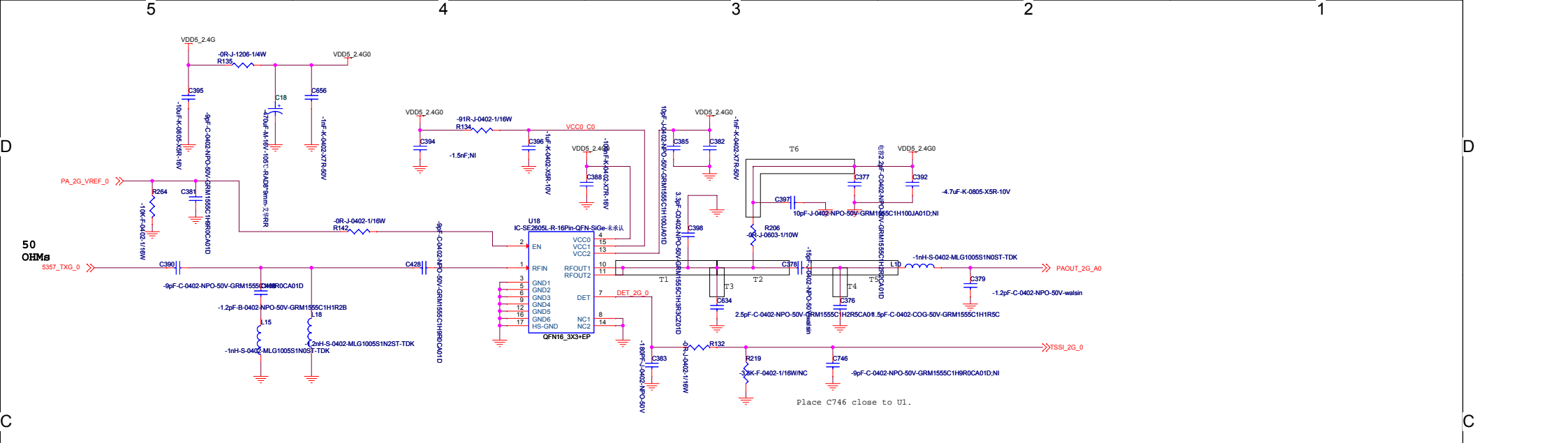
TENDA			
W3002R			
Size	Document Number	Rev	
C	Power/GND	V0.1	
Date:	Monday, December 24, 2012	Sheet	12 of 15

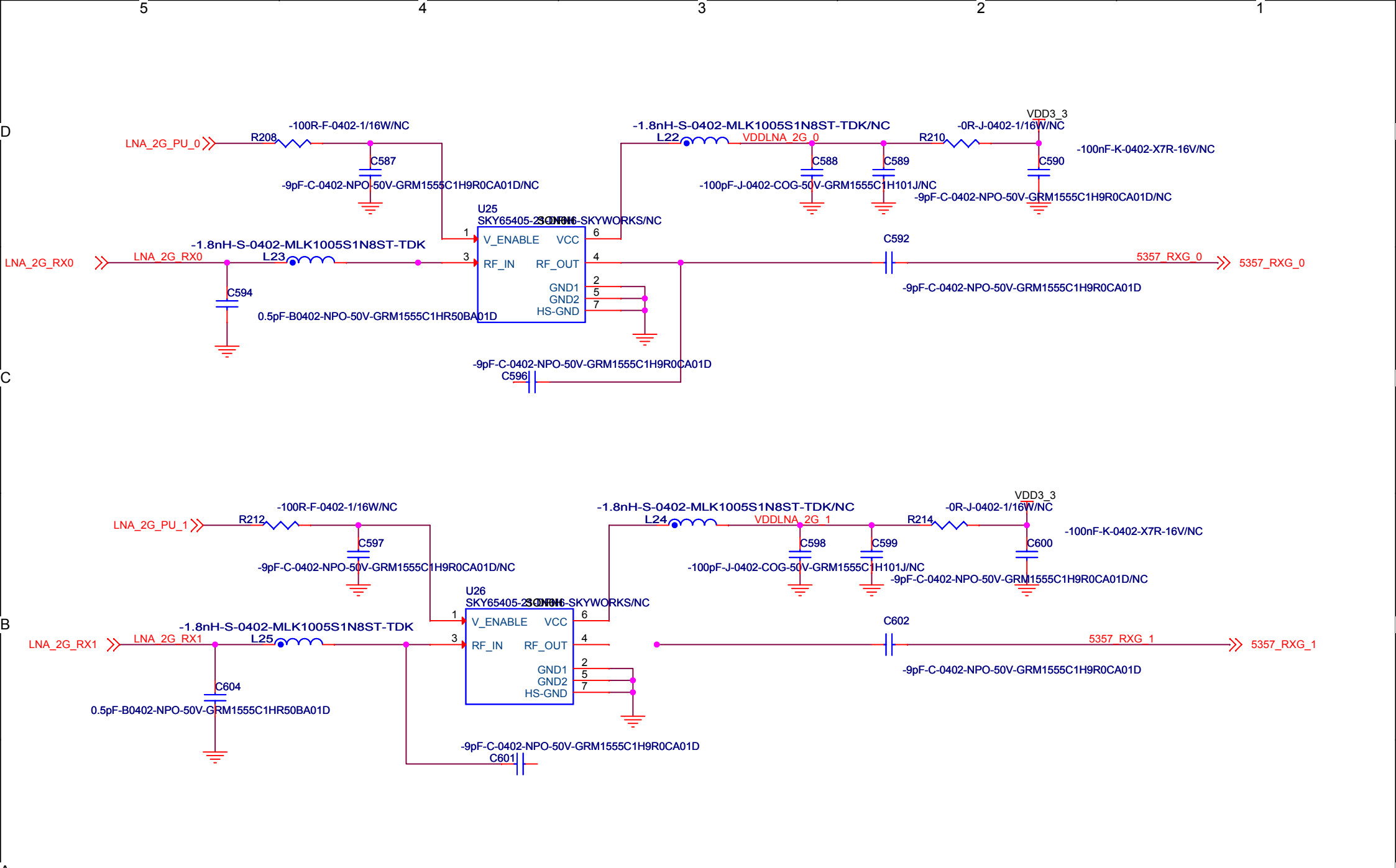


Data&Addr
bus keep
same
length

Close
to
U30.49

TENDA		
W3002R		
Size B	Document Number Serial Flash	Rev V0.1
Date:	Monday, December 24, 2012	Sheet 13 of 15





TENDA		
W3002R		
Size A4	Document Number 2.4G LNA	Rev V0.1
Date:	Monday, December 24, 2012	Sheet 15 of 15