

Manufacture :SHENZHEN TENDA TECHNOLOGY CO., LTD.

Specification

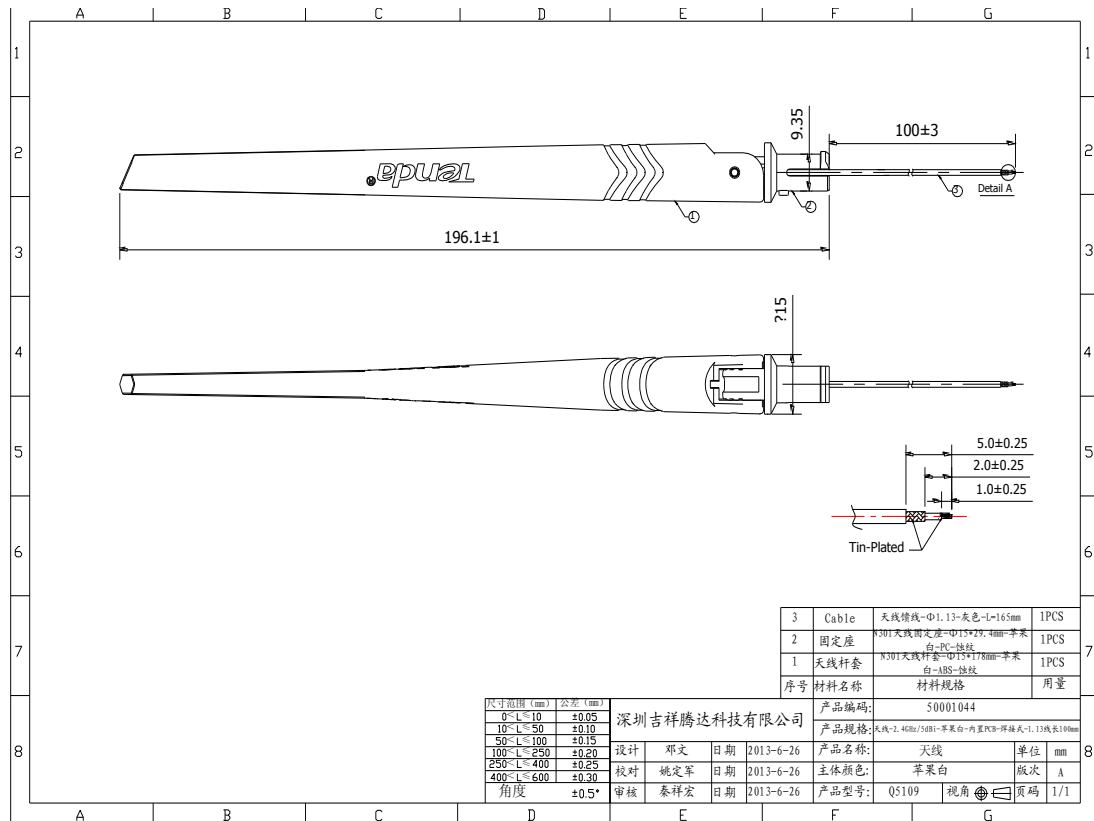
1. Electrical Properties

- 1.1 Frequency Range-----2.4-2.5GHz
- 1.2 Impedance----- 50Ω
- 1.3 VSWR----- 1.92: 1
- 1.4 Return Loss----- -10dBor Less
- 1.5 Radiation----- Omni-directional
- 1.6 Gain ----- 5.23dBi
- 1.7 Polarization ----- Linear polarization
- 1.8 Admitted Power----- 1W
- 1.9 Cable----- Φ 1.13 Coaxial Cable

2. Physical Properties

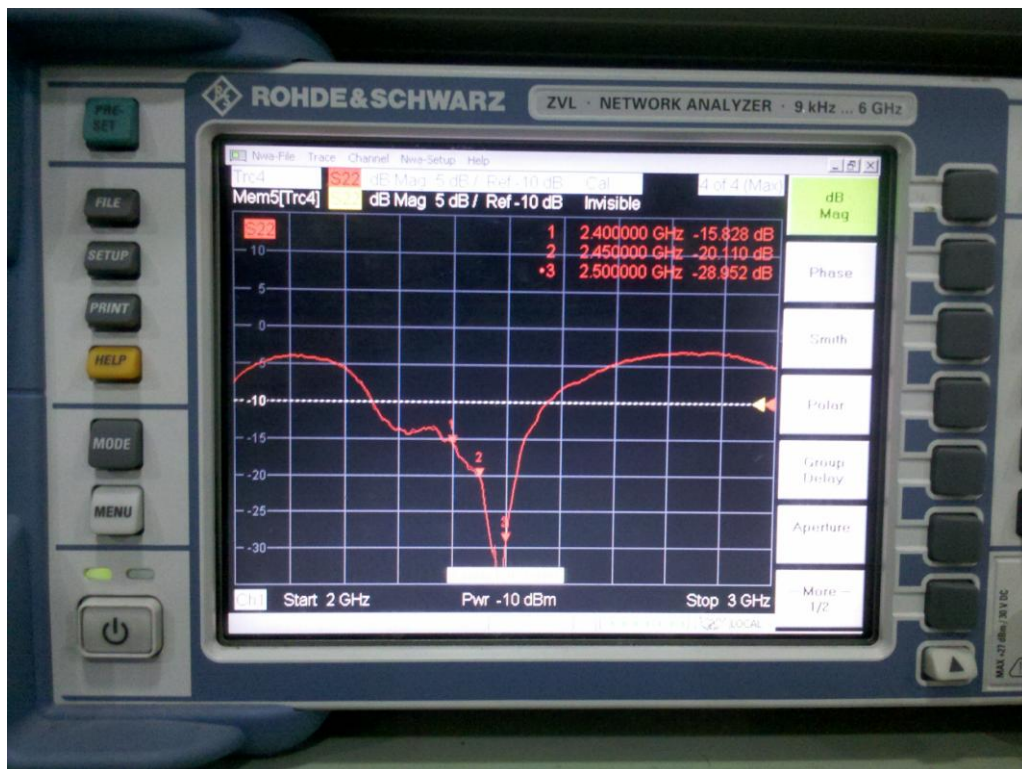
- 2.1 Antenna Cover-----TPEE
- 2.2 Antenna Base----- PC
- 2.3 Antenna Base----- PC
- 2.4 Operating Temp----- -10°C ~+60°C
- 2.5 Storage Temp----- -10°C ~+70°C
- 2.6 Color----- White

一、Dimension

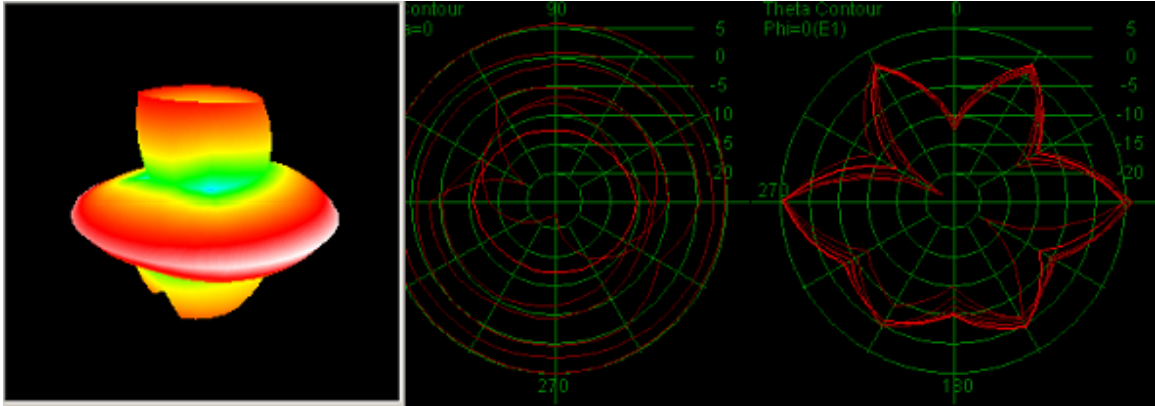


四、test data

Return loss



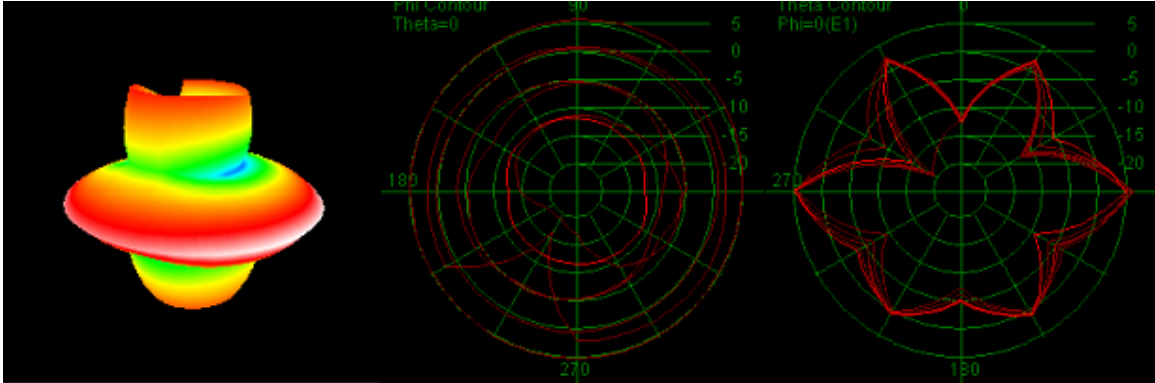
2D、3DRaditation Pattern:



2.4GHz

Gain:5.19dBi

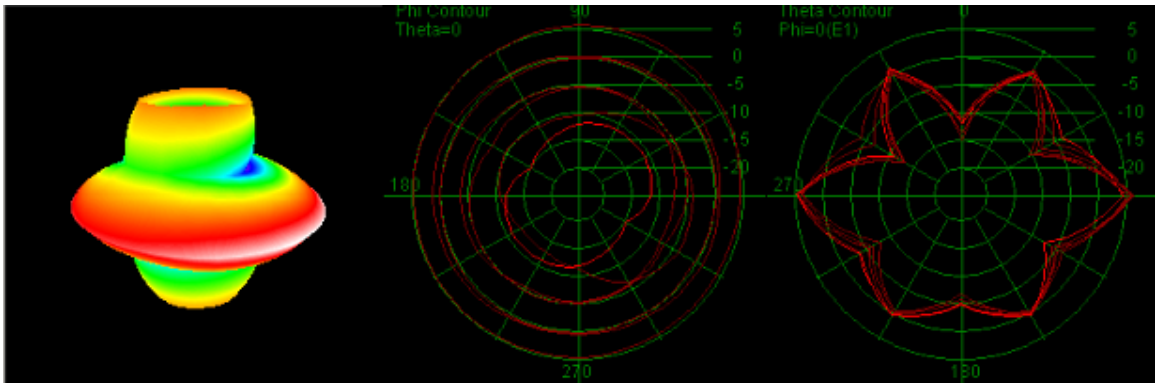
Efficiency:84.5 %



2.45GHz

Gain:5.23dBi

Efficiency:86.8%



2.5GHz

Gain:5.16dBi

Efficiency:86.8%