



Install Guide

300Mbps Wireless N VDSL2 Modem Router
Model: V300

Package Contents

- Modem Router * 1
- Power Adapter * 1
- Ethernet Cable * 1
- Phone Cable * 2
- Install Guide * 1
- Splitter * 1

If any item is incorrect, missing or damaged, please keep the original package and contact the vendor for replacement immediately. In some regions, the quantity of phone cable may differ.

Declaration of Conformity

Hereby, SHENZHEN TENDA TECHNOLOGY CO., LTD., declares that the radio equipment type V300 is in compliance with Directive 2014/53/EU. The full text of the EU declaration of conformity is available at the following internet address: <http://www.tendacn.com/en/service/page/ce.html>
Operate Frequency: 2400-2483.5MHz

Software Version:

Environment	Temperature	Humidity
Operating	0°C ~ 40°C	10% ~ 90% RH (non-condensing)
Storage	-40°C ~ 70°C	5% ~ 90% RH (non-condensing)

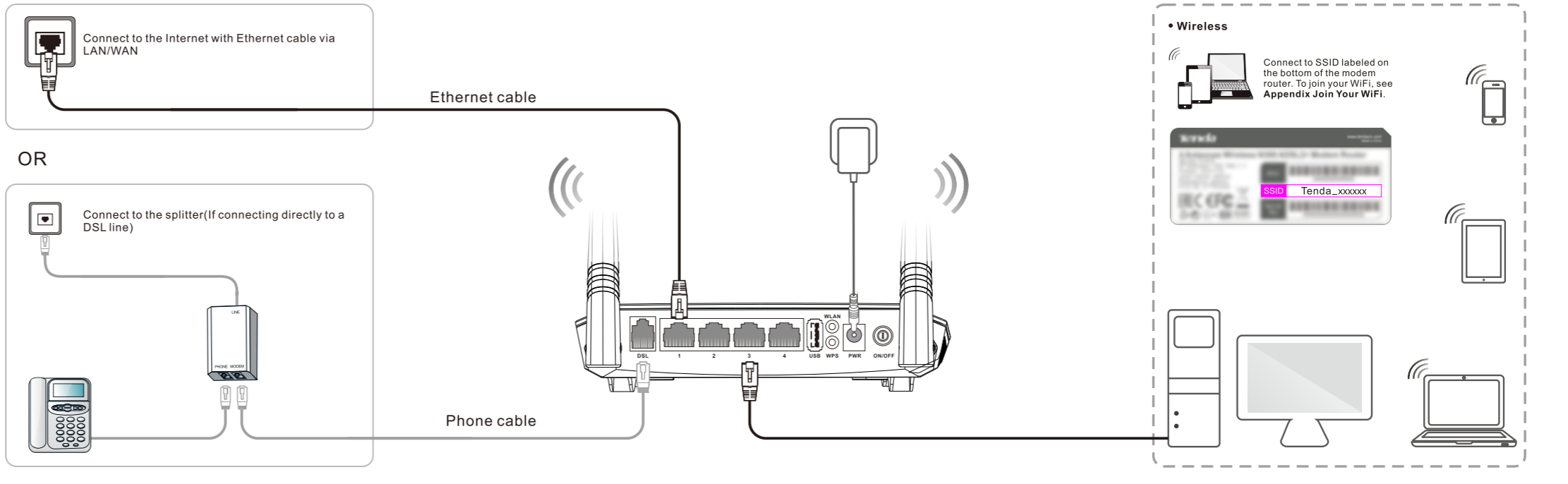
Shenzhen Tenda Technology Co., Ltd.
6-8 Floor, Tower E3, NO.1001, Zhongshanyuan Road, Nanshan District, Shenzhen, China: 518052
Global Hotline: (86) 755-27657180 United States Hotline: 1-800-570-5892
HongKong Hotline: 00852-81931998 Canada Hotline: 1-888-998-8966
Skype: Tendasz E-mail: support@tenda.com.cn
Website: <http://www.tendacn.com>

© 2016 Shenzhen Tenda Technology Co., Ltd. All rights reserved.
Tenda is a registered trademark legally held by Shenzhen Tenda Technology Co., Ltd. Other brand and product names mentioned herein are trademarks or registered trademarks of their respective holders. Specifications are subject to change without notice.

1 Cable the Modem Router

If your link type is DSL (telephone cable), configure your modem router after DSL LED is solid.

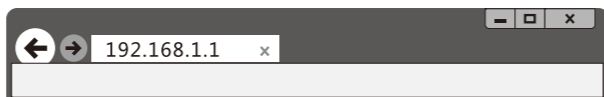
- Connect the power adapter to the V300 and plug it into a power outlet. Turn on the power button.
- Connect the modem router to the Internet
 - If it is DSL access, plug the phone cable into the DSL port; if you are using phone service simultaneously, cable your phone and modem router with DSL splitter as shown below.
 - If it is Ethernet cable access, directly plug the Ethernet cable provided by your ISP into port 1 as shown below.
- Connect PC to modem router.
 - You can connect to port 2/3/4 by using an Ethernet cable as shown below.
 - You can also connect to modem router wirelessly (refer to **Appendix Join Your WiFi**).



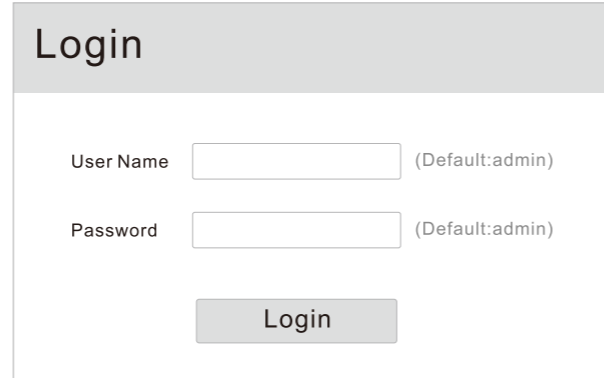
2 Configure the Modem Router

Configure your modem router from your computer.

- Launch a web browser, type **192.168.1.1** in the address bar and press **Enter** on the keyboard.

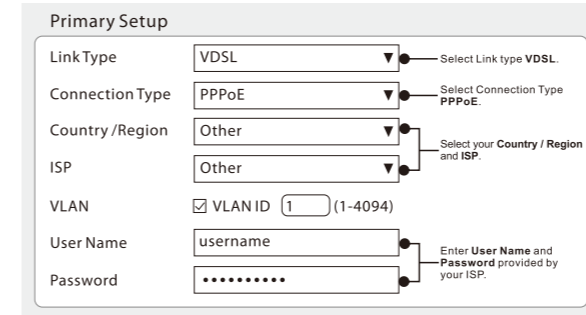


- Enter the login **User Name** and **Password** (Both are default "admin") and click **Login**.



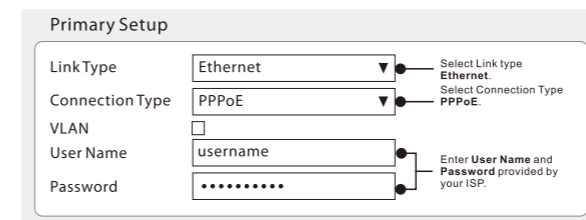
- Enter connection information.

a. If it is DSL access, input connection information as shown below. (Here we take VDSL as example)



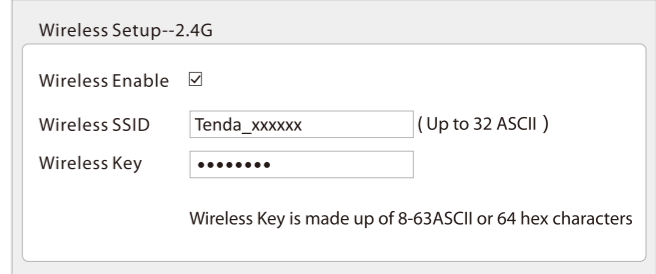
Tips
If you select your **Country / Region** and **ISP**, modem router will automatically fill in the corresponding **VLAN ID** for you.
If your **Country / Region** or **ISP** is not covered in the list, you will need to enter the corresponding **VLAN ID** manually. You can consult your ISP to get the **VLAN ID**.

b. If it is Ethernet cable access, enter connection information as shown below.



- Wi-Fi setup

Type in the Wireless SSID and Wireless Key. These information will be used to connect to your wireless network.



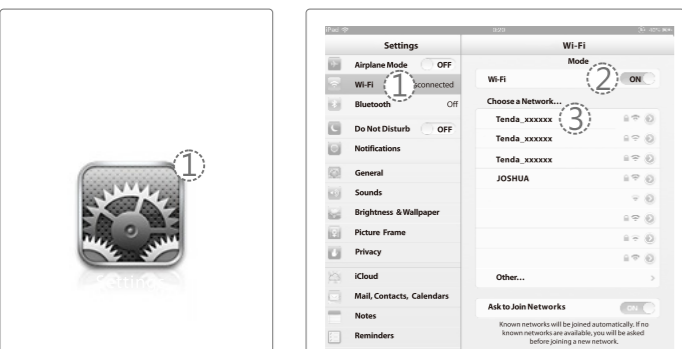
Click **OK** to save.

Congratulations! You are connected to Internet.

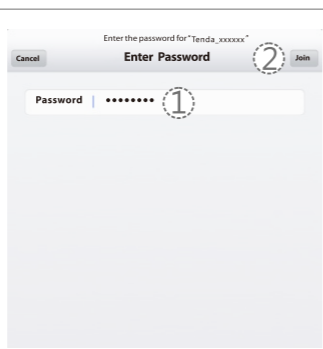
Appendix Join Your WiFi

iPhone/iPad

- Scroll screen to find the **Settings** icon. Click the icon.
- Click **Wi-Fi**.
- Find the name of the **Wireless network** you wish to connect. Click on it.



- Enter a security key.
- Click **Join** to join the Wireless network.

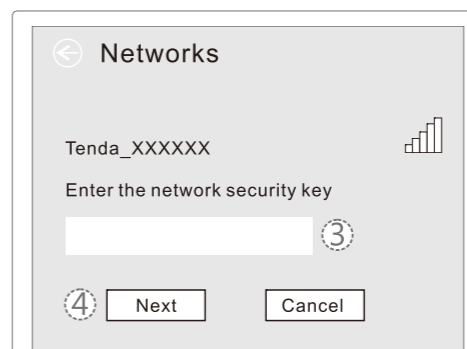
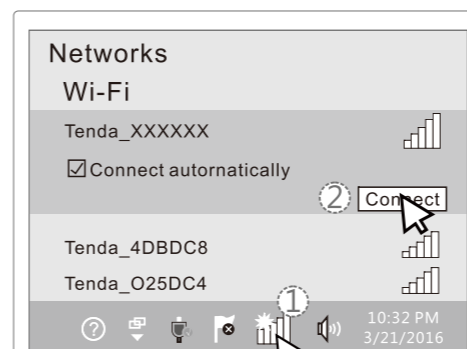


- Connected successfully!

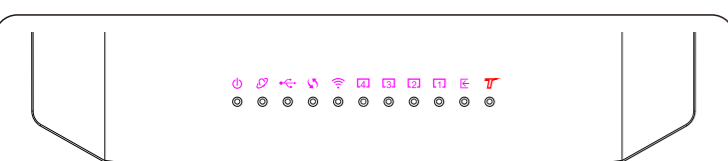


Windows 8

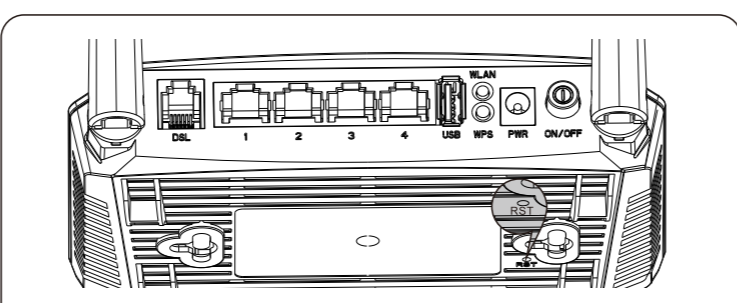
- Click the icon on the bottom right corner of your desktop.
- Select your WiFi name from the list, and click **Connect**.
- Enter the WiFi password (network security key) of your WiFi.
- Click **Next**.



LED & Button



LED Indicator	Status	Description
Power	Solid RED	Device is booting.
	Solid GREEN	Device is working normal.
Power	Blinking red	Device is upgrading.
	Solid RED	No Internet Access.
Internet	Solid GREEN	The device is connected to the Internet.
	Blinking GREEN	There is data transmission in Internet port.
USB	Solid	USB device is connected.
	Blinking	USB port is transmitting data.
USB	Off	USB device is disconnected or unmounted.
	Solid	WPS is enabled, or a WPS connection is established.
WPS	Blinking	The Router is performing WPS negotiation to a client device.
	Off	WPS is disabled, or negotiation process is completed.
Wi-Fi	Solid	Wi-Fi signal is enabled.
	Blinking	There is data transmission wirelessly.
Wi-Fi	Off	Wi-Fi signal is disabled.
	Solid	The port is well-connected.
LAN	Blinking	The port is transmitting data.
	Off	No connection is detected on the corresponding port.
DSL	Solid	The DSL negotiation is complete.
	Blinking	The device are doing DSL negotiation.
DSL	Off	No connection is detected on the DSL port.
	Off	Reserved



Button	Description
ON/OFF	Turn on/off the power.
RST	Press and hold it for about 6 seconds until all LEDs flash once and then release it to reset the router to factory default settings.
WPS	Press and release it to enable the WPS feature. Within 2 minutes, enable the wireless device's WPS feature to establish WPS connection. (First you need to enable WPS on user interface)
WLAN	Enable or disable wireless feature.

FAQs

- Q1: I cannot log in to the modem router's User Interface. What should I do?**
- Verify the Ethernet cable between your computer and the router is intact and well-connected.
 - Verify that you type the correct login IP address in the browser's address bar.
 - Verify that your device's IP is in 192.168.1.x (the same network segment with LAN address of modem router).
 - Use another PC, smart phone or iPad to log in to User Interface.
 - Clear cache of your browser, or change another browser.
 - Restore modem router to factory default.

Q2: I cannot access to Internet, what should I do?

- Verify that Internet LED is green.
- Verify that your phone cable/Ethernet cable/3G or 4G dongle is connected to modem router and the corresponding LED is on.
- Verify that you enter the correct connection info, e.g. username, password or VLAN etc.
- Verify that the IP of your connected device is correct.
- If above steps don't solve this problem, reboot modem router.
- If above steps don't solve this problem, restore modem router to factory default and follow this install guide again.
- Contact your internet service provider for help.

Q3: I forget my Wi-Fi password, what should I do?

- If you haven't changed your default Wi-Fi password, you can check it on the bottom of this modem router.
- Log in to the modem router's User Interface. In **Home Page (Wireless Setup--2.4G section)**, password will display after you click into password field.
- If you forget the login password as well, restore the modem router to factory default settings. Follow this install guide again to set your new Wi-Fi password.

Q4: How to reset modem router to factory defaults?

- Method 1: Press and hold **RST** button for about 6 seconds until all LEDs flash once and then release it to reset the router to factory default settings.
- Method 2: Log into modem router's User Interface and go to **Advanced -> Modem -> Backup Setting -> Restore Default**. Click **Restore Default Settings** and click **ok**.

CE & FCC



CE Mark Warning

This is a Class B product. In a domestic environment, this product may cause radio interference, in which case the user may be required to take adequate measures.
NOTE: (1) The manufacturer is not responsible for any radio or TV interference caused by unauthorized modifications to this equipment. (2) To avoid unnecessary radiation interference, it is recommended to use a shielded RJ45 cable.



FCC Statement

This equipment has been tested and found to comply with the limits for a Class B digital device, pursuant to part 15 of the FCC Rules. These limits are designed to provide reasonable protection against harmful interference in a residential installation. This equipment generates, uses and can radiate radio frequency energy and, if not installed and used in accordance with the instructions, may cause harmful interference to radio communications. However, there is no guarantee that interference will not occur in a particular installation. If this equipment does cause harmful interference to radio or television reception, which can be determined by turning the equipment off and on, the user is encouraged to try to correct the interference by one or more of the following measures:
—Reorient or relocate the receiving antenna.
—Increase the separation between the equipment and receiver.
—Connect the equipment into an outlet on a circuit different from that to which the receiver is connected.
—Consult the dealer or an experienced radio/TV technician for help.
FCC Radiation Exposure Statement
This device complies with FCC radiation exposure limits set forth for an uncontrolled environment and it also complies with Part 15 of the FCC RF Rules. This equipment must be installed and operated in accordance with provided instructions and the antenna(s) used for this transmitter must be installed to provide a separation distance of at least 20 cm from all persons and must not be co-located or operating in conjunction with any other antenna or transmitter. End-users and installers must be provided with antenna installation instructions and consider removing the no-collocation statement.
This device complies with Part 15 of the FCC Rules. Operation is subject to the following two conditions: (1) This device may not cause harmful interference, and (2) this device must accept any interference received, including interference that may cause undesired operation.
Caution!
Any changes or modifications not expressly approved by the party responsible for compliance could void the user's authority to operate the equipment.
NOTE: (1) The manufacturer is not responsible for any radio or TV interference caused by unauthorized modifications to this equipment. (2) To avoid unnecessary radiation interference, it is recommended to use a shielded RJ45 cable.