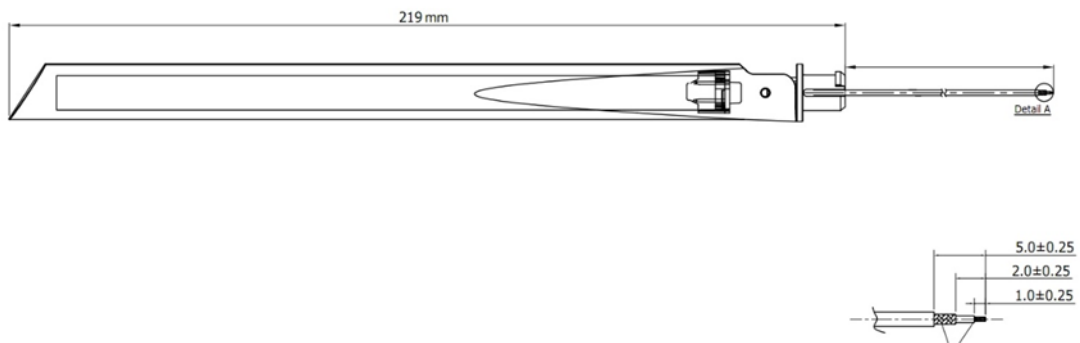


Measurement of Antenna for Report Project

Manufacture: SHENZHEN TENDA TECHNOLOGY CO., LTD.

1. Antenna Appearance:



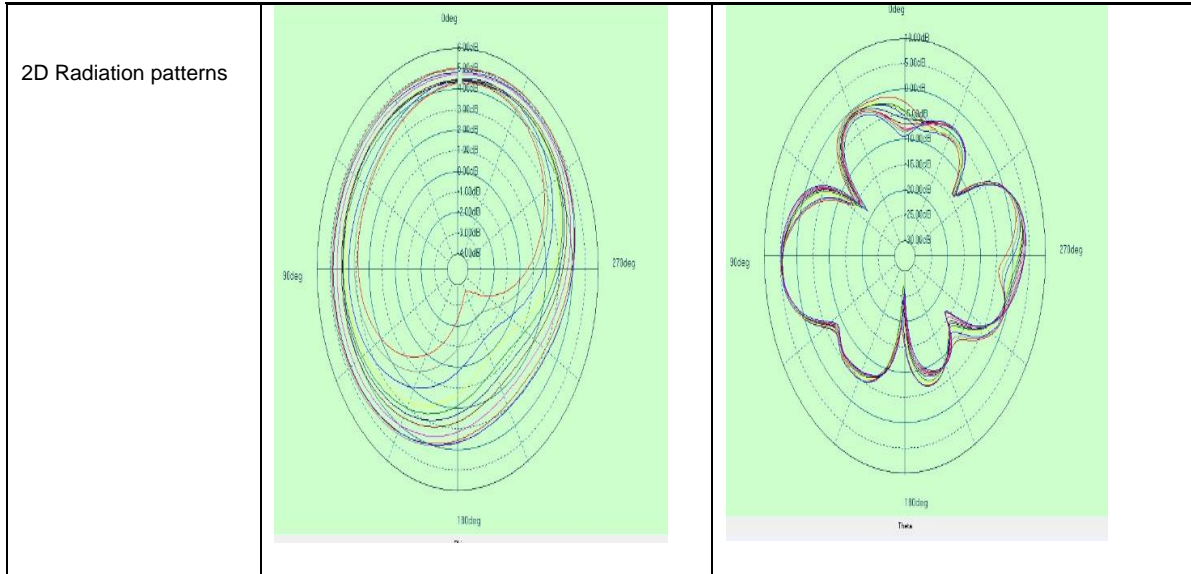
2. Electrical performance test results at normal temperature

a) 2. 4G Antenna

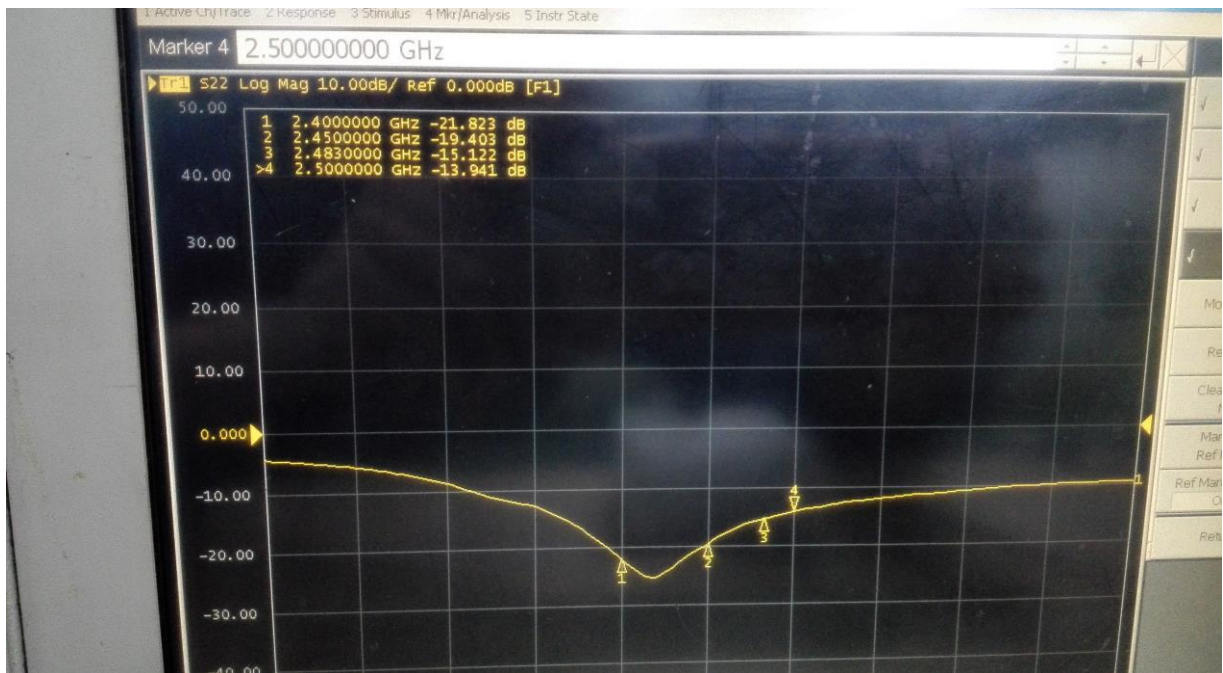
No	Test Item	Unit	Demand Performance	Test Result		Judgement
1	Frequency Range	MHz	2400-2483	2400-2483		OK
2	Gain	dBi	5	2400	4.49	OK
				2450	4.47	OK
				2483	4.84	OK
3	Isolation	dB	≤ -15	2400	-26	OK
				2450	-25	OK
				2483	-24	OK
4	Return loss	dB	≤ -10	2400	-21	OK
				2450	-19	OK
				2483	-14	OK

Directional diagram for 2.4GHz

EUT		
Remark		
Frequency	E Total. dB(dB)	Efficiency()
2400MHz	4.49	70%
2410MHz	4.56	73%
2420MHz	4.75	78%
2430MHz	5.0	82%
2440MHz	4.70	84%
2450MHz	4.47	85%
2460MHz	4.58	87%
2470MHz	4.84	92%
	XOY PLANE	XOZ PLANE
3D Radiation patterns at 2450 MHz		
	H PLANE	V PLANE



2. 4G Return loss test



2. 4G Isolation

