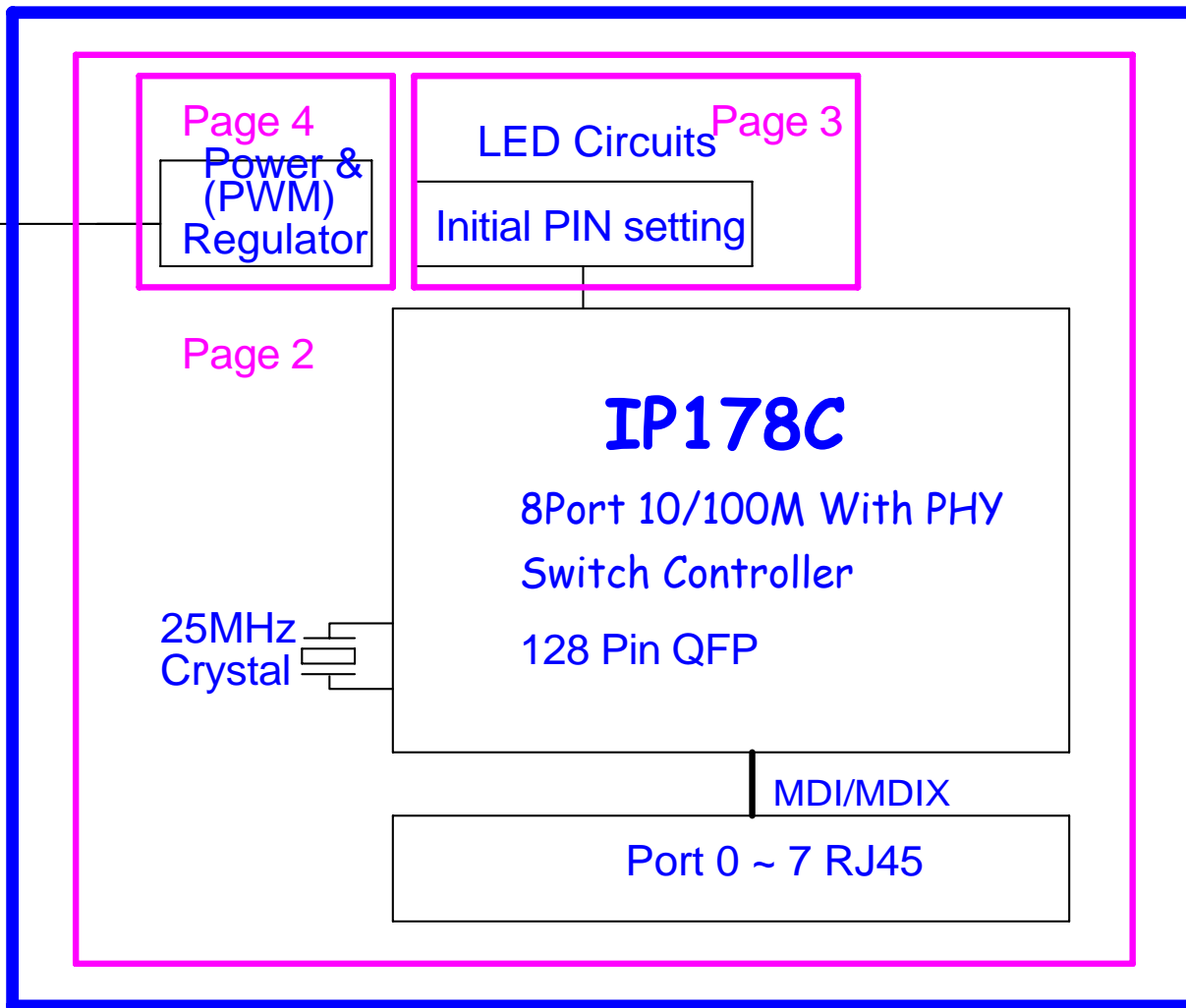


AC 9V
600MA
Power Adapter

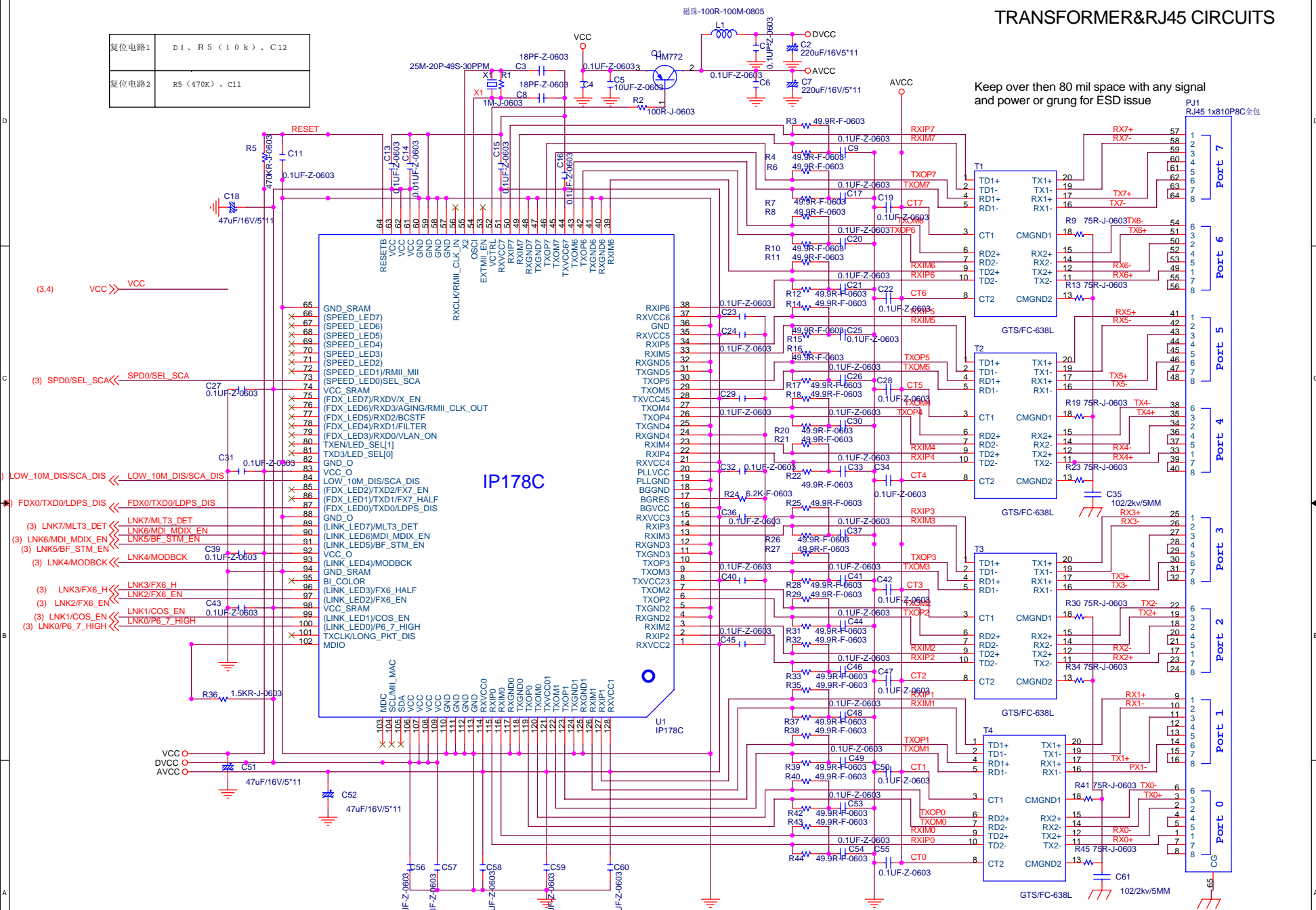


TENDA		
Title		
TEH108SK_IP178C		
Size	Document Number	Rev
A	DIGRAM	0.1
Date:	Wednesday, September 15, 2004	Sheet 1 of 4

TRANSFORMER&RJ45 CIRCUITS

Keep over then 80 mil space with any signal and power or grung for ESD issue

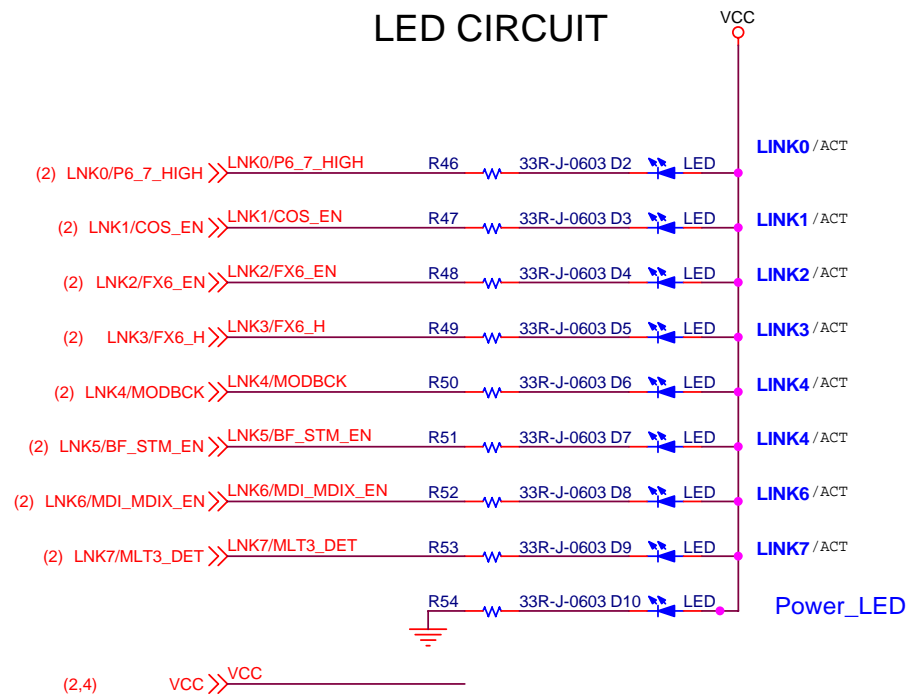
复位电路1	D1、R5 (10k)、C12
复位电路2	R5 (470K)、C11



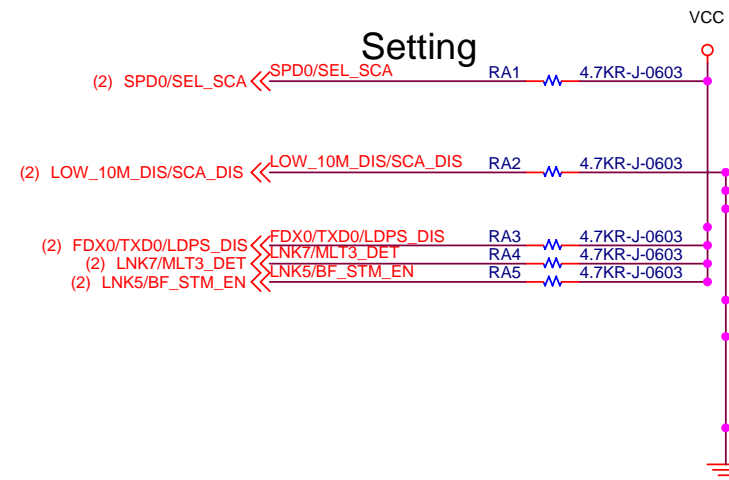
TENDA			
Title			
TEH108SK_IP178C			
Size	Document Number	Rev	
	IP_178C & RJ	0.1	
Date:	Wednesday, September 15, 2004	Sheet	2 of 4

PIN NO.	LABEL	DESCRIPTION	SET
73	LINK_Q	Link quality, 1:enable,0:disable(default)	1
75	X_EN	Flow control nable, 1:enable(default),0:disable	1 (default)
76	AGING	AGING enable 1:enable(default),0:disable	1 (default)
78	FILTER_DA	Filter packets with specific DA from 0180c2000000to 0180c200000f,1:filter,0:forward(default)	0 (default)
79	VLAN_ON	turn on vlan ,enable a specific configuartion of port base vlan ,0:disable(default),1:enable	0 (default)
84	SCA_DIS	Disable smart cable analysis, 1:disable(default),0:enable	1 (default)
80,81	LED_SEL[1:0]	LED function selection	11 (default)
95	BI_COLOR	BI-color LRD mode enable 1:enable,0:disable(default)	0 (default)
87	HASH_MODE	Hashing algorithm selection for 1st and 2nd layer 0:direct and CRC(default),1:direct and CRC	0 (default)
89	MLT3_DET	Ability for detecting MLT3 1:enable,0:disable(default)	1
91	BF_STM_EN	Broadcast storm enable 1:enable,0:disable(default)	1
93	MODBCK	Aggressive back off enable 1:aggressive mode enable(default),0:standard back off	1 (default)
99	COS_EN	CLASS of service enable 1:enable,0:disable(default)	0 (default)
101	LONG_PKT_DIS	Max packet size option 1:drop packets with length longer than 1536 bytes, 0:drop packets with length longer than 1552 bytes	1 (default)
77	BCSTF	Broadcast frame option 1:packets with DA =ffffff are handle as broadcast in broadcast protection function 0:packets with DA=ffffff or muli_cast frame are handle as broadcast in broadcast protection function(default)	0 (default)
90	mdi_mdix_en	MDI/MDIX-X enable, mdi/mdix-x auto cross over 1:enable (default) 0:disable	1 (default)

LED CIRCUIT



Setting

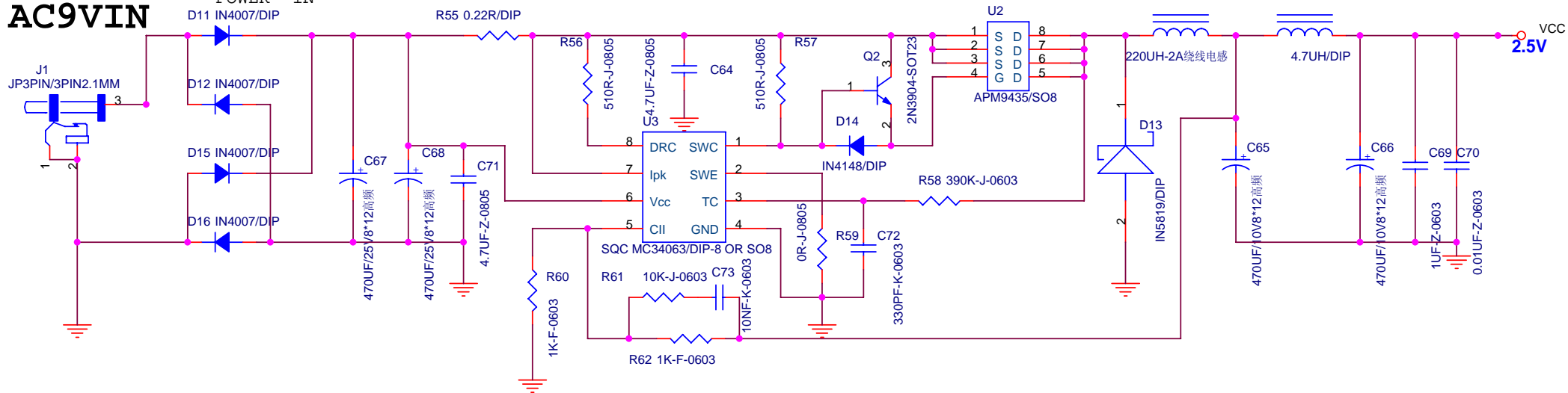


TENDA

Title		
TEH108SK_IP178C		
Size	Document Number	Rev
	LED & SETTING	0.1
Date:	Wednesday, September 15, 2004	Sheet 3 of 4

AC9VIN

AC9V 800mA
POWER IN



(2,3) VCC ← VCC

TENDA			
Title			
TEH108SK_IP178C			
Size	Document Number	POWER	Rev <RevCode>
Date:	Wednesday, September 15, 2004	Sheet	4 of 4