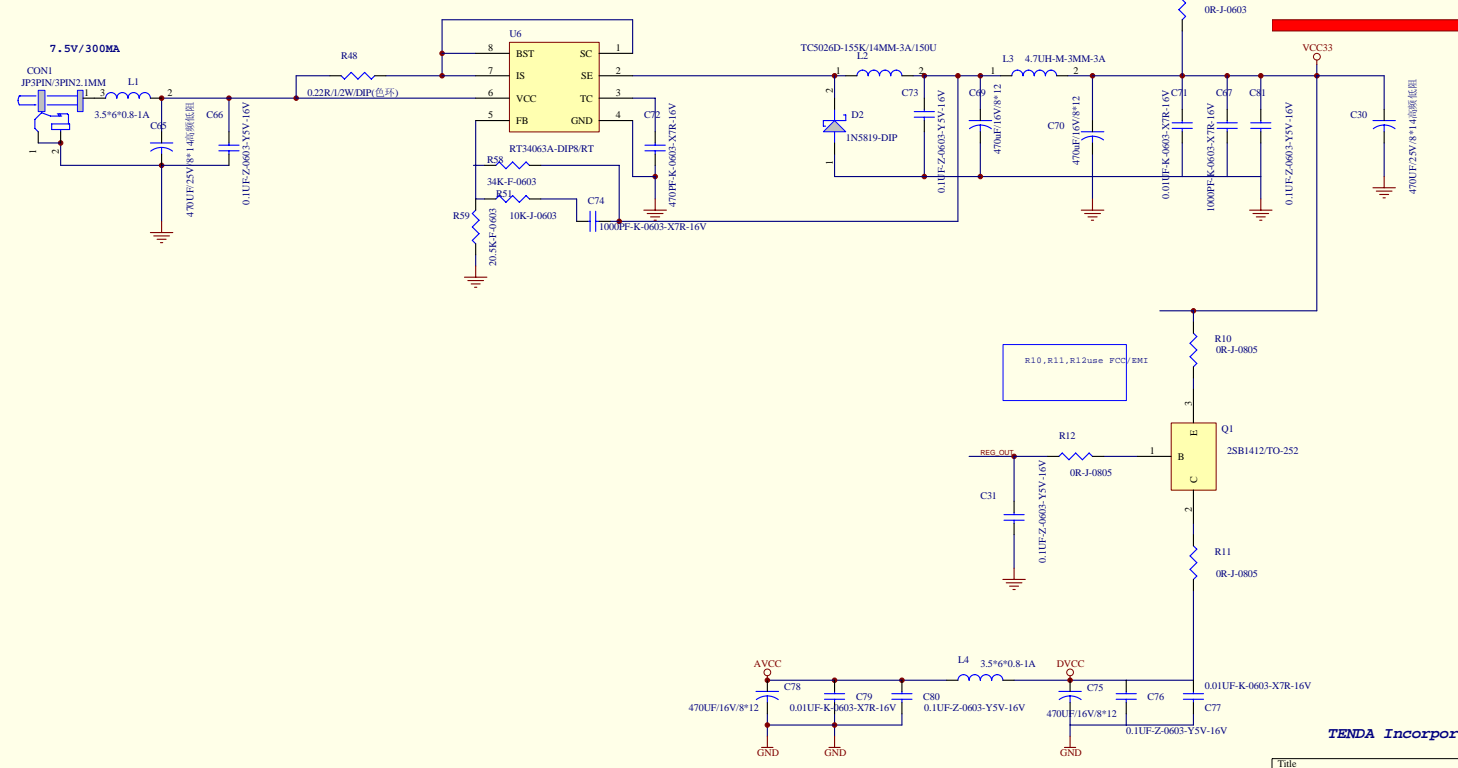


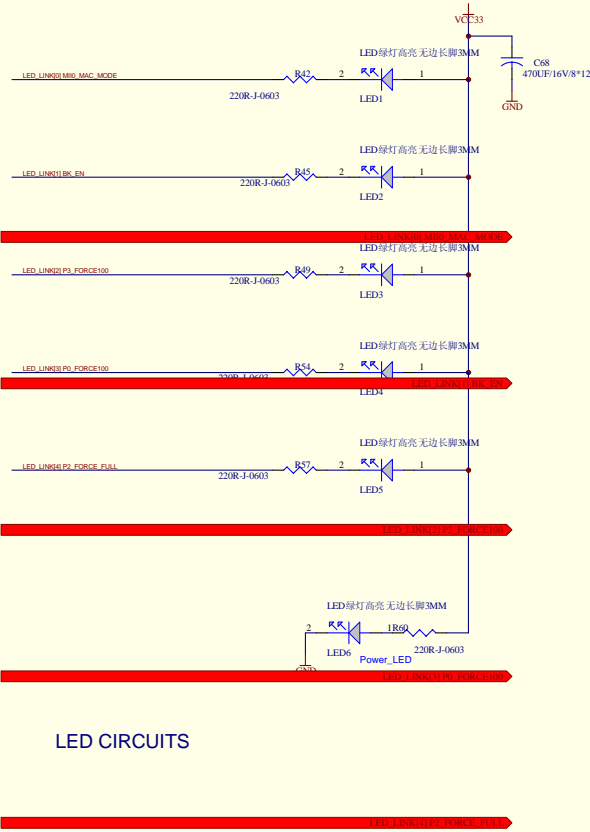
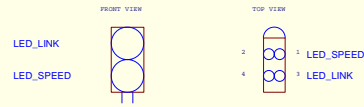
POWER



TENDA Incorporated

| | |
|---------|---|
| Title | |
| Orcad B | 004_3_22 |
| Date: | 8-Aug-2009 |
| File: | C:\Documents and Settings\Administrator\My Documents\04.DDB |

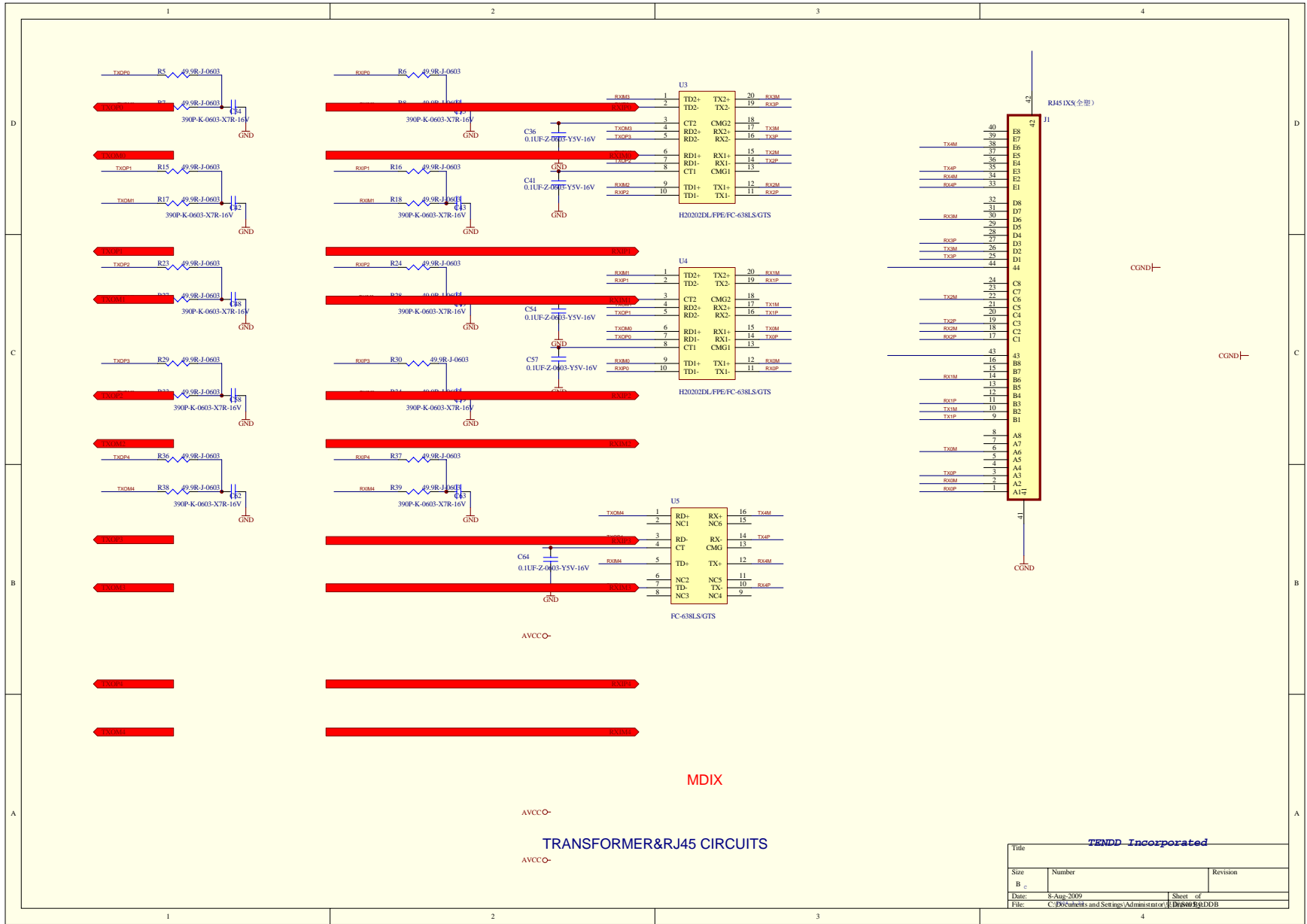
REG_OUT



LED CIRCUITS

TENDD Incorporated

| | | |
|-------|---|------------|
| Title | | |
| Size | Number | Revision |
| B c | | |
| Date: | 8 Aug 2009 | Sheet of |
| File: | C:\Documents and Settings\Administrator | DBA01B.DDB |



| | | |
|---------------------------|--|----------|
| TENDD Incorporated | | |
| Title | | |
| Size | Number | Revision |
| Date: | 8-Aug-2009 | Sheet of |
| File: | C:\Documents and Settings\Administrator\11\Drawings\B01DDB | |