

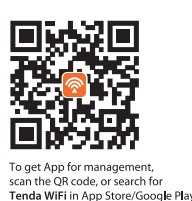


Quick Installation Guide

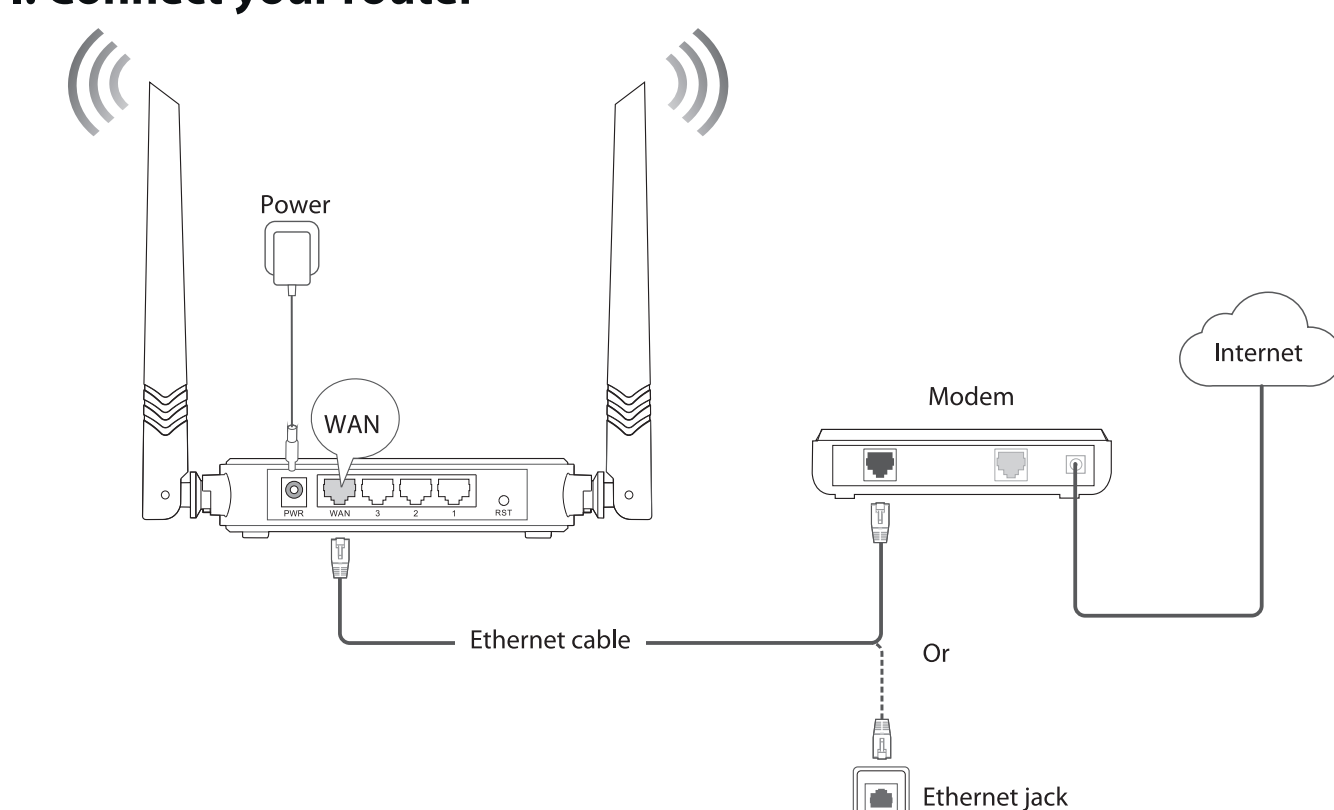
For product or function details, please go to www.tendacn.com
Wireless N300 Easy Setup Router
N301

Package contents

- Wireless router * 1
- Power adapter * 1
- Ethernet cable * 1
- Quick installation guide * 1



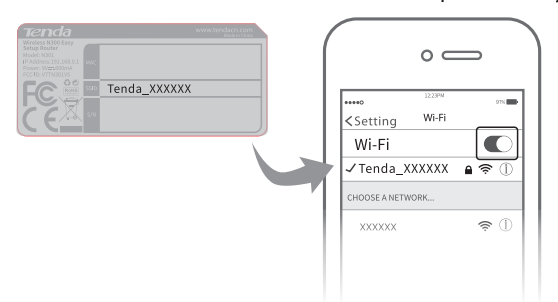
I. Connect your router



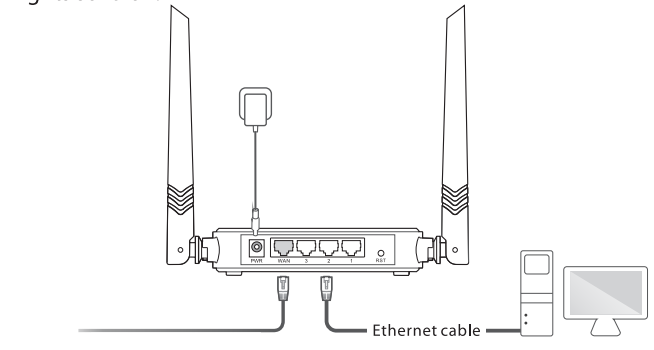
1. Use the included power adapter to connect the router to a power source.
2. Connect the WAN port of the router to a LAN port of your modem or the Ethernet Jack using an Ethernet cable. The WAN LED indicator lights on.

II. Connect your devices to the router

Method 1: Connect your WiFi-enabled device (such as a smart phone) to the router's WiFi network using the SSID labeled on the bottom of the router. There is no WiFi password by default.



Method 2: Connect your wired device to port 1, 2 or 3 of the router using an Ethernet cable. The corresponding LED indicator lights solid on.



III. Set up the router for internet access

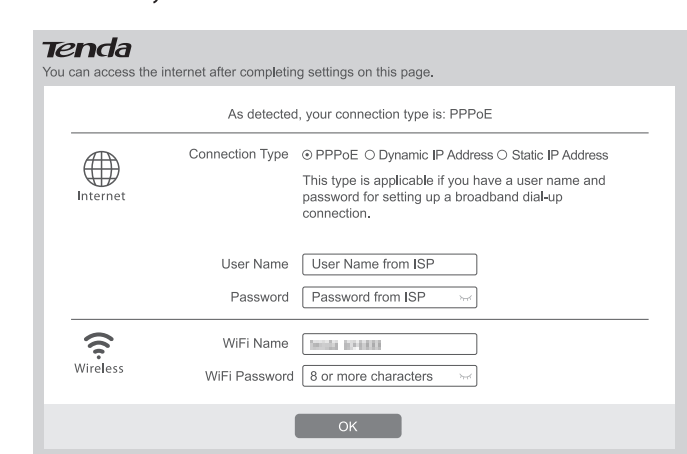
1. Start a web browser on a device that has connected to the router, and visit tendawifi.com.



Tips
If you cannot log in to the web UI of the router, refer to **Q1** in **FAQ**.

2. The router detects your internet connection type automatically. PPPoE is used for illustration here. Enter the **User Name** and **Password** provided by your ISP (Internet Service Provider).

3. Customize your **WiFi Name** and **WiFi Password**, and click **OK**.



Done.

IV. Access the internet

WiFi-enabled devices: Connect your WiFi-enabled devices to the WiFi network of the router using the WiFi name and WiFi password you set.

Wired devices: Your wired devices connected to the router can access the internet directly now.

LED indicators

LED indicator	Status	Description
SYS	Blinking	The system is working properly.
	OFF	The system is faulty.
WLAN	Solid on	The WiFi network is enabled.
	Blinking	Data is being transmitted wirelessly.
1/2/3	OFF	The WiFi network is disabled.
	Solid on	The corresponding LAN port is connected properly.
1/2/3	Blinking	Data is being transmitted over the corresponding LAN port.
	OFF	The corresponding port is disconnected or improperly connected.
WAN	Solid on	The WAN port is connected properly.
	Blinking	Data is being transmitted over the WAN port.
WAN	OFF	The WAN port is disconnected or improperly connected.

Jack, ports and buttons

Jack/Port/Button	Description
POWER	Power Jack. Used to connect to the included power adapter.
WAN	Used to connect this router to the internet.
RST	Used to reset the router. When the SYS LED indicator blinks, hold the button down for about 8 seconds, and release it when all the LED indicators blink once.
1/2/3	They are LAN ports used to connect to wired devices such as computers or switches.

FAQ

Q1: I cannot log in to the web UI of the router after entering tendawifi.com, what should I do?

- A1: Try the following solutions and log in again:
- Ensure that tendawifi.com is entered correctly in the address bar of the web browser or you can try entering **192.168.0.1**.
 - If you use a WiFi-enabled device to log in to the web UI of the router, ensure that it is connected to the router's SSID, and the mobile data (if any) is disabled.
 - If you use a computer to log in to the web UI of the router, ensure that it is connected to port 1, 2 or 3 of the router properly by an Ethernet cable. And it is set to **Obtain an IP address automatically** and **Obtain DNS server address automatically**.

Q2: I cannot access the internet after the configuration, what should I do?

- A2: Try the following methods:
- Check if the WAN port of the router is connected properly, and the WAN LED indicator is solid on or blinking.
 - Log in to the web UI of the router, and navigate to the **Internet Settings** page, follow the on-screen instructions to solve it.
 - If your wired devices cannot access the internet:
 - Check if your computer is connected to port 1, 2, or 3 properly.
 - Check if your computer is set to **obtain an IP address automatically** and **Obtain DNS server address automatically**.
 - If your WiFi-enabled devices cannot access the internet:
 - Check if your WiFi-enabled devices are connected to the WiFi network of the router with the SSID you set.
 - Change your WiFi name and WiFi password on **Wireless Settings** page. Then try again.

Q3: How to change my WiFi name and password?

A3: Log in to the web UI of the router on your wired or WiFi-enabled device, navigate to **Wireless Settings - WiFi Name and Password** Page, and customize your WiFi name and password.

Q4: How to reset the router?

A4: When the **SYS** indicator lights on or blinks, hold down the **RST** button for about 8 seconds. Release it when all the LED indicators blink once. The router is reset successfully.



CE Mark Warning

This is a Class B product. In a domestic environment, this product may cause radio interference, in which case the user may be required to take adequate measures.

This equipment should be installed and operated with minimum distance 20cm between the device and your body. The mains plug is used as disconnect device, the disconnect device shall remain readily operable.

NOTE: (1) The manufacturer is not responsible for any radio or TV interference caused by unauthorized modifications to this equipment. (2) To avoid unnecessary radiation interference, it is recommended to use a shielded RJ45 cable.

Declaration of Conformity
Herewith, SHENZHEN TENDA TECHNOLOGY CO., LTD. declares that the radio equipment type N301 is in compliance with Directive 2014/53/EU. The full text of the EU declaration of conformity is available at the following internet address: <http://www.tendacn.com/en/service/download-cata-101.html>
Operating Frequency: EU 2400-2483.5MHz (CH-CH33)
ERP Power (Max.): 18.5 dBm
Software Version: V03.03.01_25_multi



Caution:
Adapter Model: BN049-A05009E/BN049-A05009E
Manufacturer: SHENZHEN HENGE SHUN NETWORK TECHNOLOGY CO., LTD.
Input: 100 - 240V AC, 50/60Hz, 0.3 A
Output: 5V = 0.6A
= DC Voltage



FCC Statement

This equipment has been tested and found to comply with the limits for a Class B digital device, pursuant to Part 15 of the FCC Rules. These limits are designed to provide reasonable protection against harmful interference in a residential installation. This equipment generates, uses and can radiate radio frequency energy and, if not installed and used in accordance with the instructions, may cause harmful interference to radio communications. However, there is no guarantee that interference will not occur in a particular installation. If this equipment does cause harmful interference to radio or television reception, which can be determined by turning the equipment off and on, the user is encouraged to try to correct the interference by one or more of the following measures:

- Reorient or relocate the receiving antenna.
 - Increase the separation between the equipment and receiver.
 - Connect the equipment into an outlet on a circuit different from that to which the receiver is connected.
 - Consult the dealer or an experienced radio/TV technician for help.
- The device is for indoor usage only.
Operation is subject to the following two conditions: (1) this device may not cause harmful interference, and (2) this device must accept any interference received, including interference that may cause undesired operation.

Radiation Exposure Statement
This device complies with FCC radiation exposure limits set forth for an uncontrolled environment and it also complies with Part 15 of the FCC RF Rules. This equipment should be installed and operated with minimum distance 20cm between the device and your body.

Caution:
Any changes or modifications not expressly approved by the party responsible for compliance could void the user's authority to operate this equipment. This transmitter must not be collocated or operating in conjunction with any other antenna or transmitter.
Operating Frequency: 2412-2462MHz
NOTE: (1) The manufacturer is not responsible for any radio or TV interference caused by unauthorized modifications to this equipment. (2) To avoid unnecessary radiation interference, it is recommended to use a shielded RJ45 cable.



RECYCLING

This product bears the selective sorting symbol for Waste electrical and electronic equipment (WEEE). This means that this product must be handled pursuant to European directive 2012/19/EU in order to be recycled or dismantled to minimize its impact on the environment.

User has the choice to give his product to a competent recycling organization or to the retailer when he buys a new electrical or electronic equipment.

For EU/EFTA, this product can be used in the following countries:

BE	BG	CZ	DK	DE	EE	EE	EL	ES	FR	HR	IT	CY	LV
LT	LU	HU	MT	NL	AT	PL	PT	RO	SI	SK	SI	SE	UK

Operating Temperature: 0°C - 40°C
Operating Humidity: (10% - 90%) RH, non-condensing

Technical Support
Shenzhen Tenda Technology Co., Ltd.
6A Floor, Tower E3, NO.1001, Zhongshanyuan Road, Nanshan District, Shenzhen, China, 518052
USA hotline: 1-800-570-5892
Toll Free: 7 x 24 hours
Canada hotline: 1-888-998-8966
Toll Free: Mon - Fri 9 am - 6 pm PST
Hong Kong hotline: 00852-81931998
Global hotline: +86 755-2765 7180 (China Time Zone)
Website: www.tendacn.com
E-mail: support@tendacn.com

Copyright
© 2019 Shenzhen Tenda Technology Co., Ltd. All rights reserved.
Tenda is a registered trademark legally held by Shenzhen Tenda Technology Co., Ltd. Other brand and product names mentioned herein are trademarks or registered trademarks of their respective holders. Specifications are subject to change without notice.