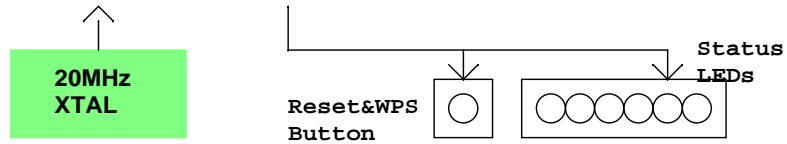
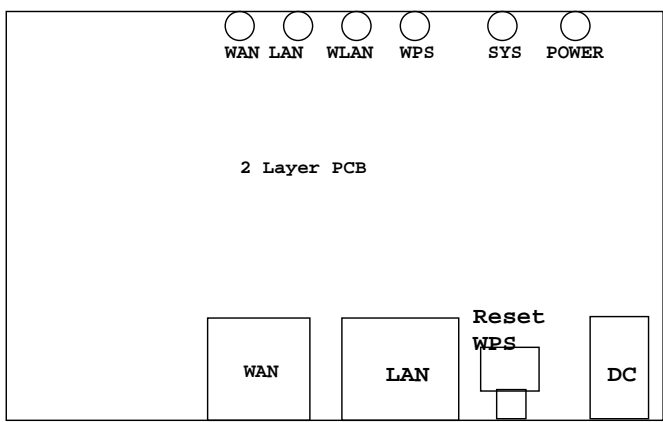
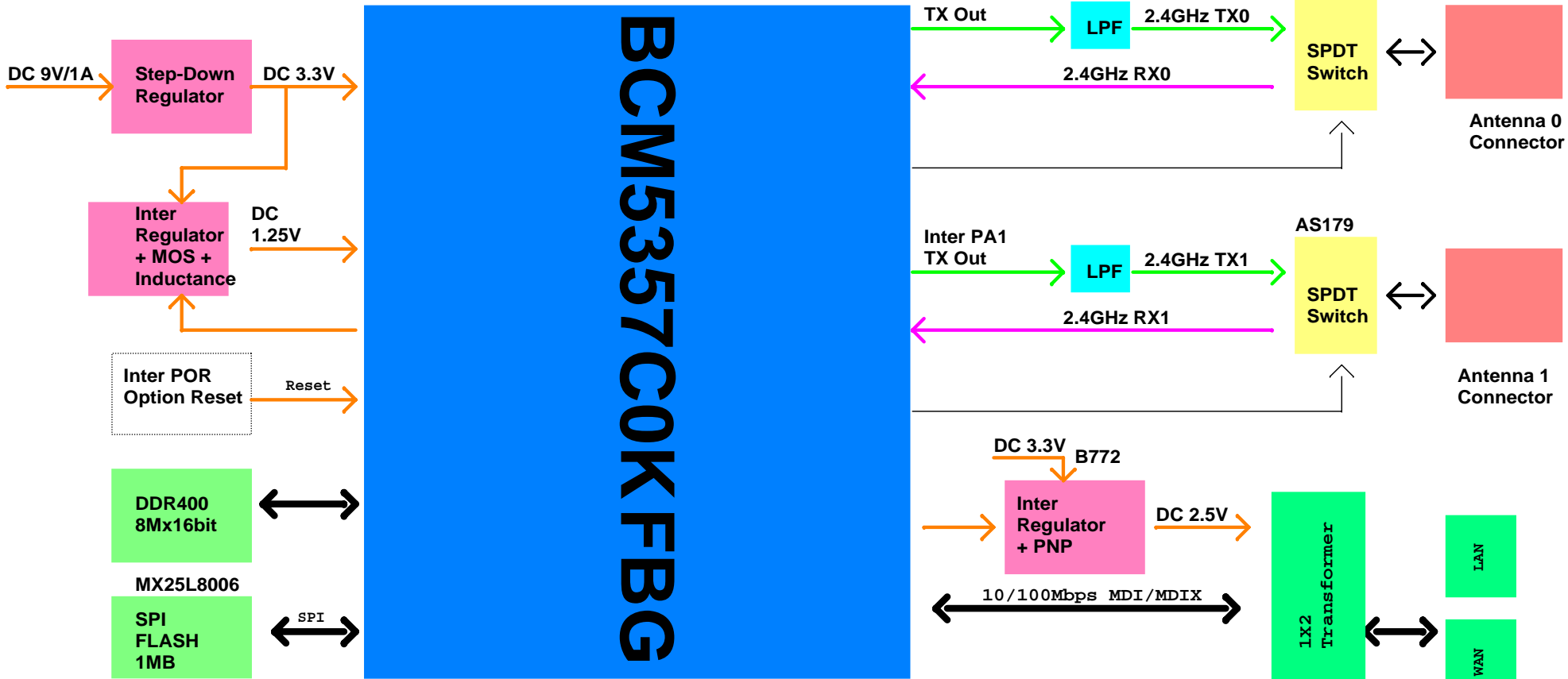


BCM5357C0KFBG



| | | | |
|-----------------------|-----------------------------|---------|---------|
| TENDA | | | |
| Title N30 A30 | | | |
| Size B | Document Number | Rev 1.0 | |
| Schematic Description | | | |
| Date: | Thursday, February 02, 2012 | Sheet | 4 of 13 |