

i27 is used for demonstration in this User Manual unless otherwise stipulated.

Please read this manual before you start with the quick setup upon the first use. For product or function details, please go to www.tendacn.com or scan the **Product Documents** QR code in this user manual to download the user guide.

Copyright © 2022 Shenzhen Tenda Technology Co., Ltd. All rights reserved. Tenda is a registered trademark legally held by Shenzhen Tenda Technology Co., Ltd. Other brand and product names mentioned herein are trademarks or registered trademarks of their respective holders. Specifications are subject to change without notice.

Technical Support
 Shenzhen Tenda Technology Co., Ltd.
 Floor 6-8, Tower E3, No.1001, Zhongshanyuan Road, Nanshan District, Shenzhen, China, 518052
 USA hotline: 1-800-570-5892
 Toll Free: 7 x 24 hours
 Canada hotline: 1-888-998-8966
 Toll Free: Mon - Fri 9 am - 6 pm PST
 HongKong hotline: 00852-81931998
 Global hotline: +86 755-2765 7180 (China Time Zone)
 Website: www.tendacn.com
 E-mail: support@tenda.com.cn

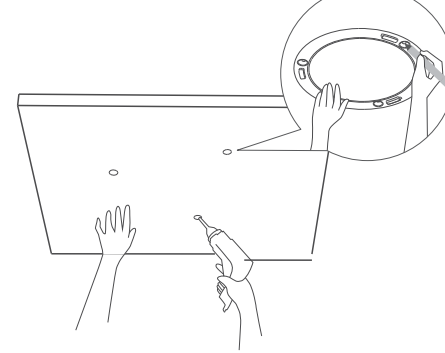
V1.0 Keep for future reference.

1. Installing your AP

- Tips:**
- You may need a rubber hammer, a marker, a hammer drill, a drill bit, a screwdriver, and a ladder for the installation. Please prepare them yourself.
 - The equipment supports ceiling or wall mounting at heights > 2 m. The recommended parts for them are as follows:
 - Plastic anchor: Inner diameter: 2.4 mm, length: 25.4 mm
 - Screw: i24/i25/i27: PA3*14 mm, head diameter: 5.2 mm
 - i24/i25/i27/i29: BA3*25 mm, head diameter: 6.0 mm

Ceiling mounting

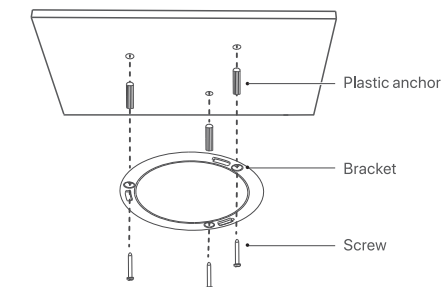
- 1** (Optional) Remove the bracket from the AP.
2 Position the bracket on the ceiling and mark screw holes on the ceiling with a marker. Drill holes in the marked positions using a hammer drill.



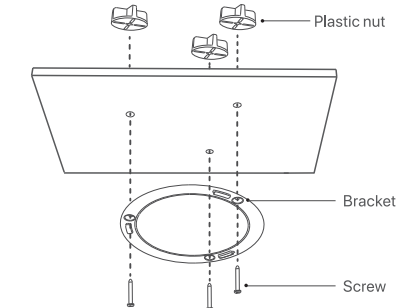
- 3** Fix the bracket.

Tips: Option A below applies to most general cases. For ceilings with weak strength (such as plasterboard) and APs provided with plastic nuts, please choose **Option B**.

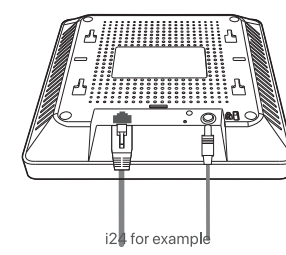
Option A: Knock the plastic anchors into the holes using a rubber hammer. Align the screw holes in the bracket with the holes in the ceiling, and use the included screws to fix the bracket.



Option B: Align the plastic nuts with the holes in the ceiling, and then use the included screws to fix the bracket.



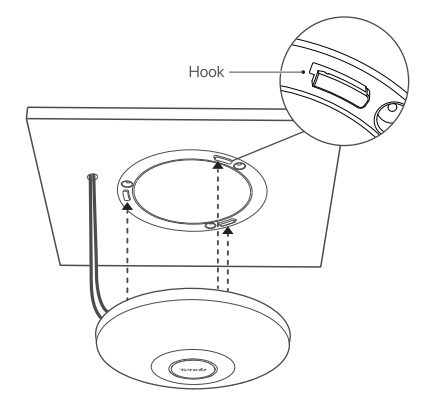
- 4** Connect a CAT5 or better cable to the PoE/LAN port of the AP for further use. Connect a PoE switch to the PoE/LAN port or a power adapter to the power jack of the AP for power supply.



- 5** (Optional) If you want to connect such wired devices as computers to the AP, connect it to the LAN1 port.

Tips: This step is only available for APs with multiple LAN ports.

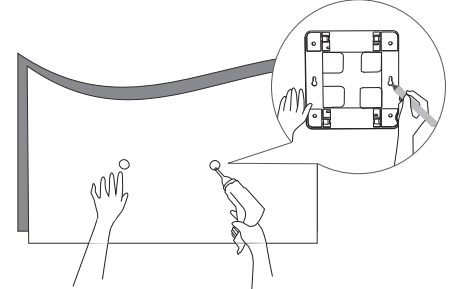
- 6** Insert the slots of the AP into the hooks of the bracket, and push the AP to one side until you hear a click.



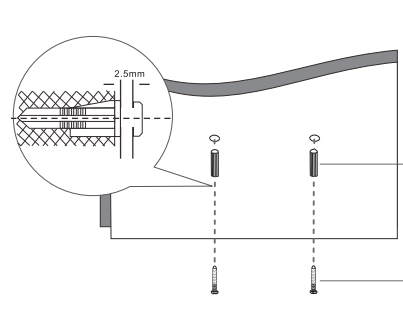
Wall mounting

Tips: This mode is only available for brackets with mounting holes. i24 is used as an example in the following steps.

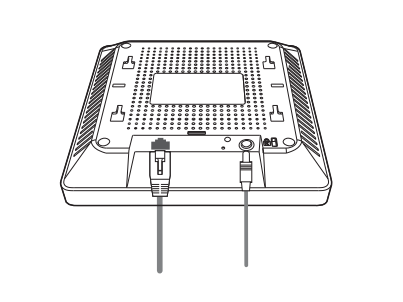
- 1** (Optional) Remove the bracket from the AP.
2 Position the bracket on the wall, and mark screw holes on the wall with a marker. Drill holes in the marked positions using a hammer drill.



- 3** Knock the plastic anchors into the holes using a rubber hammer. Then use the screwdriver to tighten the screws into the plastic anchors.



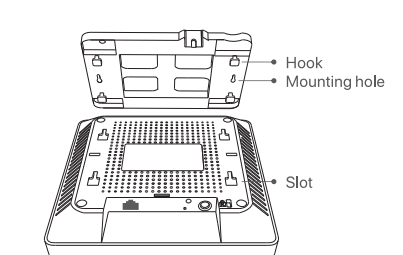
- 4** Connect a CAT5 or better cable to the PoE/LAN port of the AP for further use. Connect a PoE switch to the PoE/LAN port or a power adapter to the power jack of the AP for power supply.



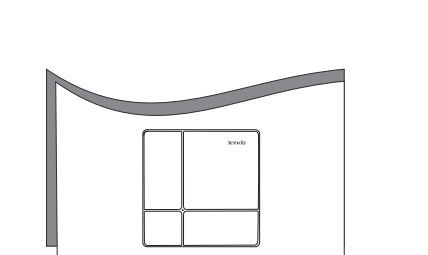
- 5** (Optional) If you want to connect such wired devices as computers to the AP, connect it to the LAN1 port.

Tips: This step is only available for APs with multiple LAN ports.

- 6** Insert the slots of the AP into the hooks of the bracket, and push the AP to one side until you hear a click.



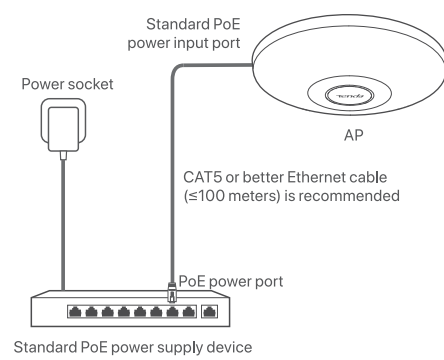
- 7** Align the wall mounting holes on the bracket and fix the bracket with the screws.



2. Supplying power to your APs

Method 1: Power the AP with a standard PoE power supply device

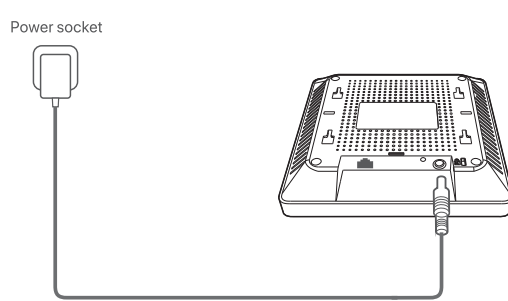
Tips: The AP supports power supply through standard PoE devices. For details about power supply standards, see the sticker on the AP.



Method 2: Power the AP with a power adapter

The AP supports power supply through the DC power jack (if available). If the power adapter is not included in the package, please prepare it yourself. Power supply parameters can be viewed on the sticker of the AP. For the interface specification of the power adapter, see the Quick Installation Guide of the corresponding product.

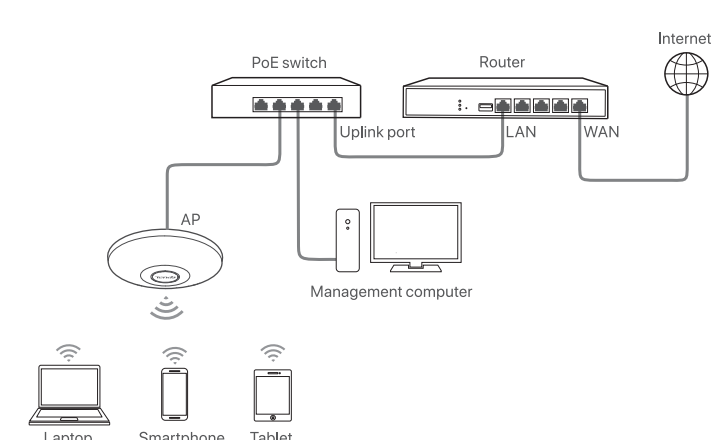
i24 is used as an example in the following figure.



3. Connecting and configuring your APs

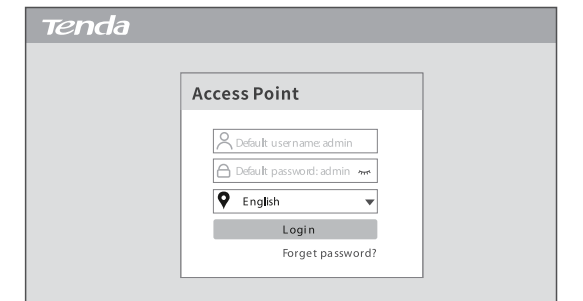
Scenario 1: Deploying your network without a management device for Tenda AP

- 1** Connect devices Refer to the following figure to connect the AP.



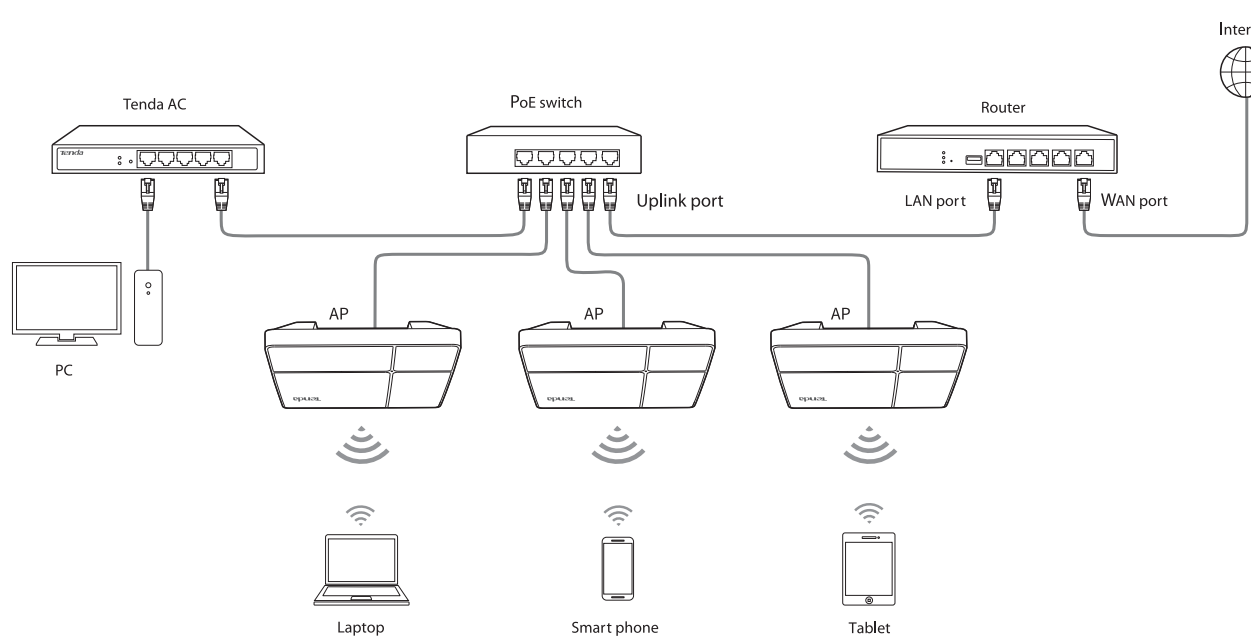
- 2** Configure the IP address of your computer For example, the IP address of the AP is 192.168.0.254, then you can set the IP address of your computer to 192.168.0.x (x: 2 to 253) and Subnet mask to 255.255.255.0.

- 3** Log in to the web UI of the AP Start a web browser, and access the IP address of the AP (follow the on-screen instructions for login).



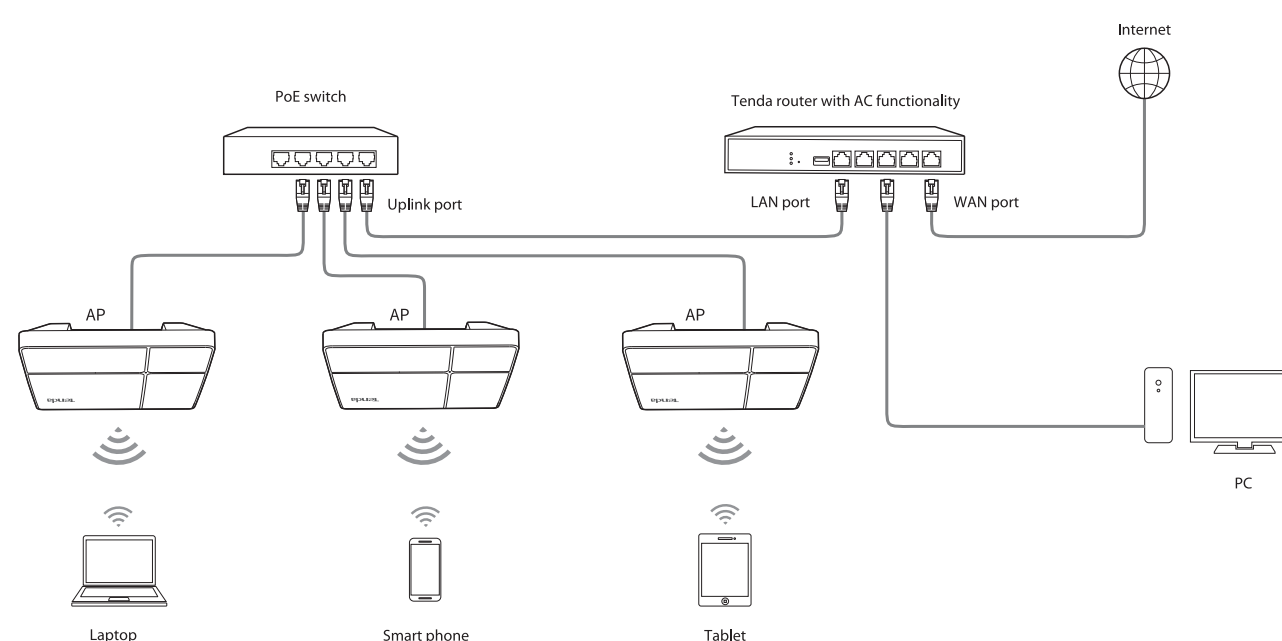
Scenario 2: Deploying your network with a Tenda access controller (AC)

If a Tenda AC is deployed in the network, you can log in to the web UI of the AC on your computer to set up the AP. Please refer to the user guide of the corresponding AC for details.



Scenario 3: Deploying your network with a Tenda router that includes the AC functionality

If a Tenda router with AC functionality is deployed in the network, you can log in to the web UI of the router on your computer to set up the AP. Please refer to the user guide of the corresponding router for details.



Get support and services

Scan the **Product Documents** QR code to get related documents for quick installation.
 • Specific product model can be found in the label on the device.



Product Documents (such as Quick Installation Guide and User Guide)

Safety precautions

Before performing an operation, read the operation instructions and precautions to be taken, and follow them to prevent accidents. The warning and danger items in other documents do not cover all the safety precautions that must be followed. They are only supplementary information, and the installation and maintenance personnel need to understand the basic safety precautions to be taken.

- Do not use the AP in a place where wireless devices are not allowed.
- Please use the included power adapter.
- The AP should be powered off during installation.
- The power socket shall be installed near the device and easily accessible.
- Operating environment: Temperature: -10°C ~ 40°C; Humidity: (10% ~ 90%) RH, non-condensing; Storage environment: Temperature: -30°C ~ 70°C; Humidity: (5% ~ 90%) RH, non-condensing
- Keep the AP away from water, fire, high electric field, high magnetic field, and inflammable and explosive items.
- Unplug this AP and disconnect all cables during lightning storms or when the ap is unused for long periods.
- Do not block the ventilation opening of the AP.
- Do not use the power adapter if its plug or cord is damaged.
- Use a power adapter with required specifications.
- Clean with dry cloth only when the AP is powered off.
- If such phenomena as smoke, abnormal sound or smell appear when you use the device, immediately stop using it and disconnect its power supply, unplug all connected cables, and contact the after-sales service personnel.
- Disassembling or modifying the device or its accessories without authorization voids the warranty, and might cause safety hazards.



CE Mark Warning

This is a Class B product. In a domestic environment, this product may cause radio interference, in which case the user may be required to take adequate measures. Operation in the 5.15-5.35 GHz band are restricted to indoor use only (i21/i24/i25/i29).

This equipment should be installed and operated with minimum distance 20cm between the device and your body.

NOTE: (1) The manufacturer is not responsible for any radio or TV interference caused by unauthorized modifications to this equipment. (2) To avoid unnecessary radiation interference, it is recommended to use a shielded RJ45 cable.

Declaration of Conformity Hereby, SHENZHEN TENDA TECHNOLOGY CO., LTD. declares that the radio equipment type i21/i24/i25/i29 is in compliance with Directive 2014/53/EU. The full text of the EU declaration of conformity is available at the following internet address: <https://www.tendacn.com/download/efr-9.html>

Operating Frequency: 2.4 GHz: EU/2400 - 2483.5MHz (CH1 - CH13) 5 GHz: EU/5150 - 5350MHz (CH36 - CH48) (i21/i24/i25/i27/i29)

ERP Power (Max.): 2.4GHz: < 23 dBm 5GHz: < 23 dBm (i21, i24, i25, i27, i29) Software Version: V1.0.0.X



This product bears the selective sorting symbol for Waste electrical and electronic equipment (WEEE). This means that this product must be handled pursuant to European directive 2012/19/EU in order to be recycled or dismantled to minimize its impact on the environment. User has the choice to give his product to a competent recycling organization or to the retailer when he buys a new electrical or electronic equipment.



FCC Statement

This Statement has been tested and found to comply with the limits for a Class B digital device, pursuant to Part 15 of the FCC Rules. These limits are designed to provide reasonable protection against harmful interference in a residential installation. This equipment generates, uses and can radiate radio frequency energy and, if not installed and used in accordance with the instructions, may cause harmful interference to radio communications. However, there is no guarantee that interference will not occur in a particular installation. If this equipment does cause harmful interference to radio or television reception, which can be determined by turning the equipment off and on, the user is encouraged to try to correct the interference by one or more of the following measures:

- Reorient or relocate the receiving antenna.
- Increase the separation between the equipment and receiver.
- Connect the equipment into an outlet on a circuit different from that to which the receiver is connected.
- Consult the dealer or an experienced radio/TV technician for help.

The device is for indoor usage only.

Operation is subject to the following two conditions: (1) this device may not cause harmful interference, and (2) this device must accept any interference received, including interference that may cause undesired operation.

Radiation Exposure Statement This device complies with FCC radiation exposure limits set forth for an uncontrolled environment and it also complies with Part 15 of the FCC RF Rules.

This equipment should be installed and operated with minimum distance 20cm between the device and your body.

Caution: Any changes or modifications not expressly approved by the party responsible for compliance could void the user's authority to operate this equipment.

This transmitter must not be co-located or operating in conjunction with any other antenna or transmitter.

NOTE: (1) The manufacturer is not responsible for any radio or TV interference caused by unauthorized modifications to this equipment. (2) To avoid unnecessary radiation interference, it is recommended to use a shielded RJ45 cable.



i21/i24

Adapter Model: BN073-A12012E, BN073-A12012B
 Manufacturer: SHENZHEN HEWEISHUN NETWORK TECHNOLOGY CO., LTD.
 Input: 100 - 240V AC, 50/60Hz, 0.4A
 Output: 12V DC, 1.5A
 ===: DC Voltage

i25

Adapter Model: BN074-A18012E, BN074-A18012B
 Manufacturer: SHENZHEN HEWEISHUN NETWORK TECHNOLOGY CO., LTD.
 Input: 100 - 240V AC, 50/60Hz, 0.6A
 Output: 48V DC, 0.8A
 ===: DC Voltage

i27/i29

Adapter Model: BN017-A38048LJ, BN017-A38048E, BN017-A38048B
 Manufacturer: SHENZHEN HEWEISHUN NETWORK TECHNOLOGY CO., LTD.
 Input: 100 - 240V AC, 50/60Hz, 1.0A
 Output: 51V DC, 1.25A
 ===: DC Voltage

For EU/EEA (i21/i24/i25/i27/i29), this product can be used in the following countries:

