

Measurement of Antenna for CH3-WCA Project

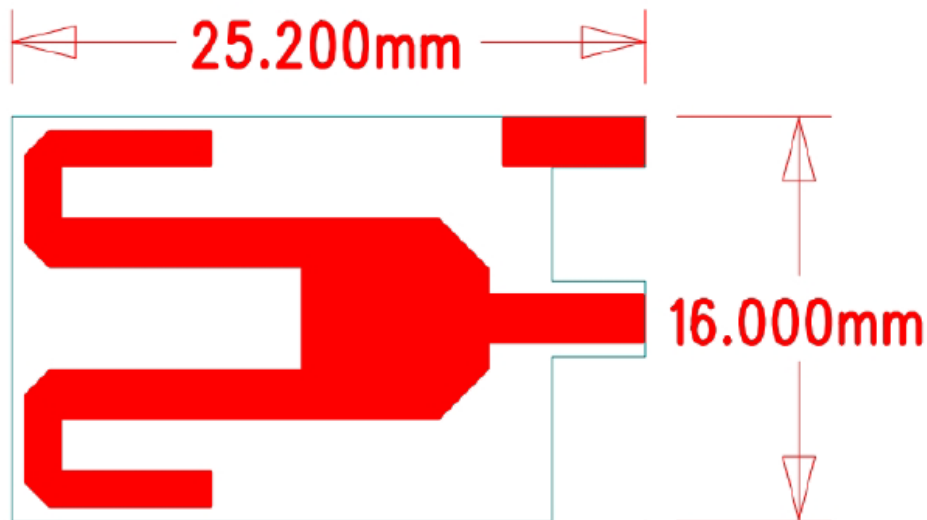
Manufacture: SHENZHEN TENDA TECHNOLOGY CO., LTD.

Address: 6-8 Floor, Tower E3, No. 1001, Zhongshanyuan Road, Nanshan

District, Shenzhen, China. 518052

Model: CH3-WCA PCB Antenna

1. Antenna Appearance:



2. Electrical performance test results at normal temperature

a) 2. 4G Antenna

No	Test Item	Unit	Demand Performance	Test Result		Judgement
1	Frequency Range	MHz	2400-2490	2400-2490		OK
2	Gain	dBi	1.98	2400	1.98	OK
				2450	1.71	OK
				2490	1.82	OK
3	Return loss	dB	≤ -10	2412	-27	OK
				2450	-25	OK
				2483	-26	OK

Directional diagram

EUT		
Remark		
Frequency	E Total. dB(dBi)	Efficiency()
2400MHz	1.98	65%
2410MHz	1.94	65%
2420MHz	1.64	64%
2430MHz	1.53	64%
2440MHz	1.76	64%
2450MHz	1.71	64%
2460MHz	1.72	64%
2470MHz	1.85	65%
2480MHz	1.88	67%
2490MHz	1.82	65%
	H PLANE	V PLANE
2D Radiation patterns		

2. 4G Return loss test

