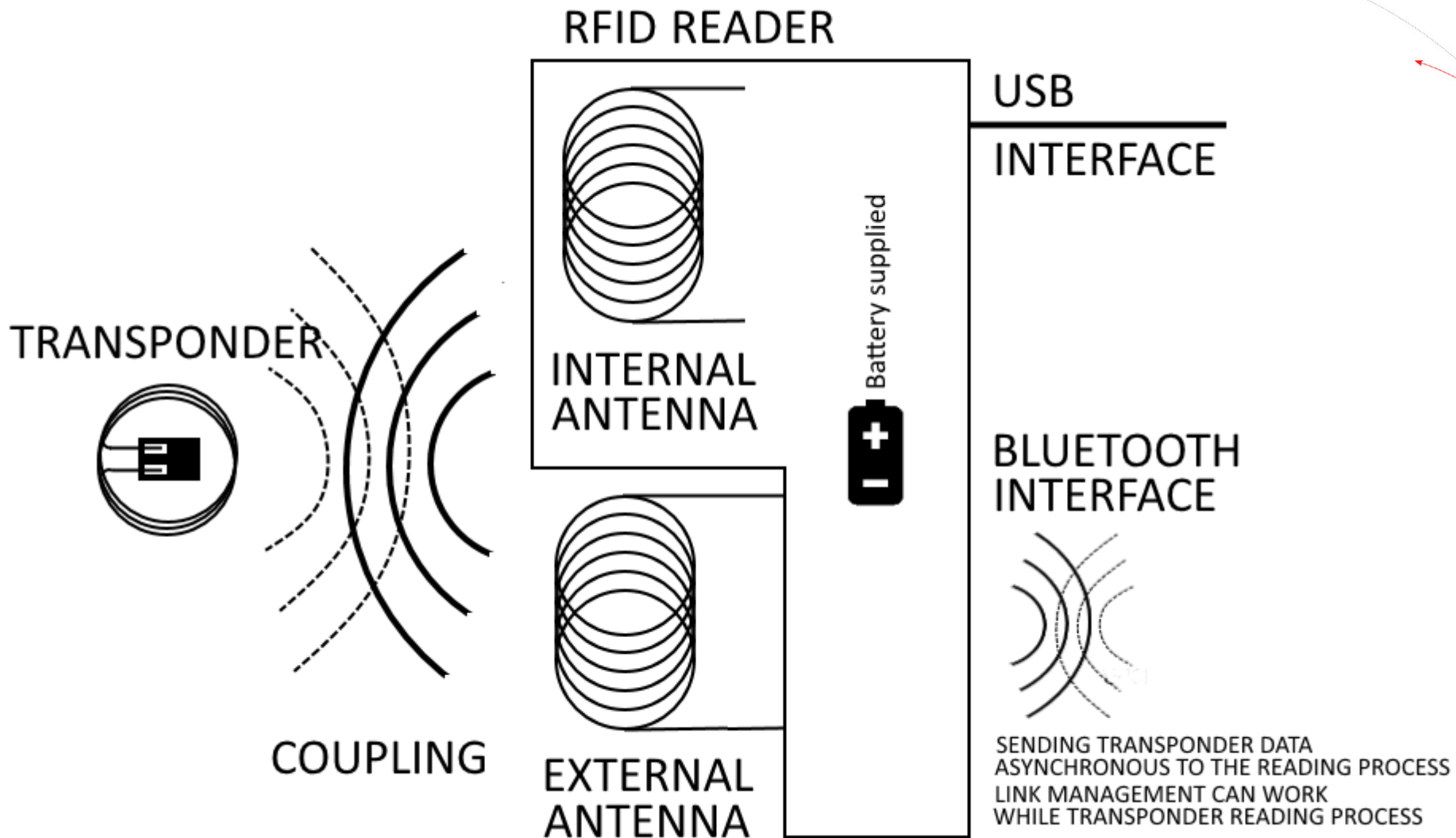
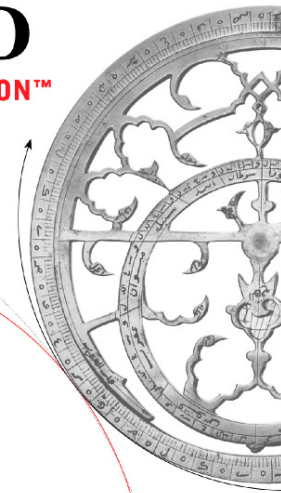


# Operational Description - RFID Reader

ARE H5 - FullISO/E/A/i/B/U/D/Le/PT1

V7IAREH5-1



For reading a passive transponder, the RFID reader is generating an electromagnetic field. Only with one antenna. This happens triggered manually by pressing a reader button. The electromagnetic field is powering the transponder which is modulating its UID on the excitation field. The reader receives the signal, demodulates the UID and transfers it via USB or Bluetooth.