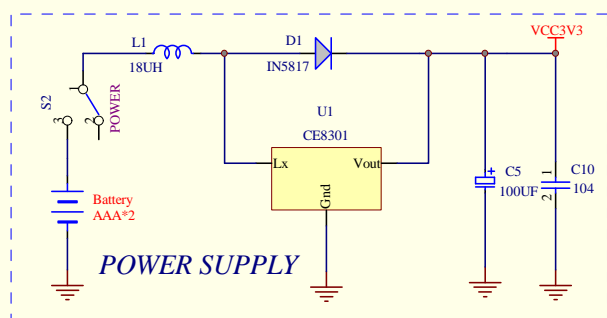
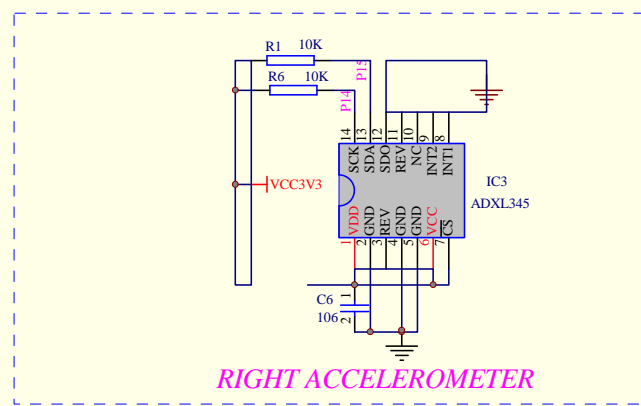


2.4G Module_NRF24L01



Power Supply: 3.0V
 Working Current:5-10MA
 Mega Stomp Panic-Wireless_TX



RIGHT ACCELEROMETER

MODEL:		REV : 1.0
FUNCTION:Wireless_Mega Stomp Panic		Size: A4
DESIGN: TX	SHEET : 1 OF 1	
DRAWING :	DATE : 2/Apr/2013	

Error : logo.jpg file not found.