



**RADIATED SPURIOUS EMISSIONS PORTIONS OF
FCC CFR47 PART 22H AND 24E
CERTIFICATION TEST REPORT
FOR
DUAL BAND CDMA MOBILE PHONE WITH BLUETOOTH
FCC MODEL NUMBER: S2150
FCC ID: V65S2150A1
REPORT NUMBER: 13U14874-1
ISSUE DATE: APRIL 01, 2013**

Prepared for
**KYOCERA COMMUNICATIONS, INC
8611 BALBOA AVENUE
SAN DIEGO, CA 92123, U.S.A.**

Prepared by
**COMPLIANCE CERTIFICATION SERVICES (UL CCS)
47173 BENICIA STREET
FREMONT, CA 94538, U.S.A.
TEL: (510) 771-1000
FAX: (510) 661-0888**



NVLAP LAB CODE 200065-0

Revision History

<u>Rev.</u>	<u>Issue Date</u>	<u>Revisions</u>	<u>Revised By</u>
---	04/01/13	Initial Issue	T. Chan

TABLE OF CONTENTS

1. ATTESTATION OF TEST RESULTS	4
2. TEST METHODOLOGY	5
3. FACILITIES AND ACCREDITATION	5
4. CALIBRATION AND UNCERTAINTY	5
4.1. <i>MEASURING INSTRUMENT CALIBRATION</i>	<i>5</i>
4.2. <i>SAMPLE CALCULATION</i>	<i>5</i>
4.3. <i>MEASUREMENT UNCERTAINTY.....</i>	<i>5</i>
5. EQUIPMENT UNDER TEST	6
5.1. <i>DESCRIPTION OF EUT</i>	<i>6</i>
5.2. <i>MAXIMUM OUTPUT POWER</i>	<i>6</i>
5.3. <i>SOFTWARE AND FIRMWARE</i>	<i>6</i>
5.4. <i>WORST-CASE CONFIGURATION AND MODE.....</i>	<i>6</i>
5.5. <i>DESCRIPTION OF TEST SETUP</i>	<i>8</i>
6. TEST AND MEASUREMENT EQUIPMENT	10
7. LIMITS AND RESULTS.....	11
7.1. <i>RADIATED OUTPUT POWER</i>	<i>11</i>
7.2. <i>FIELD STRENGTH OF SPURIOUS RADIATION</i>	<i>14</i>
8. SETUP PHOTOS.....	17

1. ATTESTATION OF TEST RESULTS

COMPANY NAME: KYOCERA COMMUNICATIONS, INC
8611 BALBOA AVENUE
SAN DIEGO, CA 92123, U.S.A

EUT DESCRIPTION: DUAL BAND CDMA MOBILE PHONE WITH BLUETOOTH

MODEL: S2150

SERIAL NUMBER: 9211100074

DATE TESTED: MARCH 30-APRIL 01, 2013

APPLICABLE STANDARDS	
STANDARD	TEST RESULTS
FCC PART 22H and 24E	PASS (Radiated Portion)

UL CCS tested the above equipment in accordance with the requirements set forth in the above standards. All indications of Pass/Fail in this report are opinions expressed by UL CCS based on interpretations and/or observations of test results. Measurement Uncertainties were not taken into account and are published for informational purposes only. The test results show that the equipment tested is capable of demonstrating compliance with the requirements as documented in this report.

Note: The results documented in this report apply only to the tested sample, under the conditions and modes of operation as described herein. This document may not be altered or revised in any way unless done so by UL CCS and all revisions are duly noted in the revisions section. Any alteration of this document not carried out by UL CCS will constitute fraud and shall nullify the document. This report must not be used by the client to claim product certification, approval, or endorsement by NVLAP, NIST, any agency of the Federal Government, or any agency of any government.

Approved & Released For UL CCS By:

Tested By:



THU CHAN
WISE OPERATIONS MANAGER
UL CCS

CHIN PANG
WISE ENGINEER
UL CCS

2. TEST METHODOLOGY

The tests documented in this report were performed in accordance with TIA-603-C, FCC CFR 47 Part 2, FCC CFR 47 Part 22, and FCC CFR Part 24.

3. FACILITIES AND ACCREDITATION

The test sites and measurement facilities used to collect data are located at 47173 Benicia Street, Fremont, California, USA.

UL CCS is accredited by NVLAP, Laboratory Code 200065-0. The full scope of accreditation can be viewed at <http://www.ccsemc.com>.

4. CALIBRATION AND UNCERTAINTY

4.1. MEASURING INSTRUMENT CALIBRATION

The measuring equipment utilized to perform the tests documented in this report has been calibrated in accordance with the manufacturer's recommendations, and is traceable to recognized national standards.

4.2. SAMPLE CALCULATION

Where relevant, the following sample calculation is provided:

$$\text{Field Strength (dBuV/m)} = \text{Measured Voltage (dBuV)} + \text{Antenna Factor (dB/m)} + \text{Cable Loss (dB)} - \text{Preamp Gain (dB)}$$

$$36.5 \text{ dBuV} + 18.7 \text{ dB/m} + 0.6 \text{ dB} - 26.9 \text{ dB} = 28.9 \text{ dBuV/m}$$

4.3. MEASUREMENT UNCERTAINTY

Where relevant, the following measurement uncertainty levels have been estimated for tests performed on the apparatus:

PARAMETER	UNCERTAINTY
Conducted Disturbance, 0.15 to 30 MHz	3.52 dB
Radiated Disturbance, 30 to 1000 MHz	4.94 dB

Uncertainty figures are valid to a confidence level of 95%.

5. EQUIPMENT UNDER TEST

5.1. DESCRIPTION OF EUT

The EUT is Bluetooth featured Tri Band CDMA Phone that is manufactured by Kyocera Communications, Inc.

5.2. MAXIMUM OUTPUT POWER

The transmitter has a maximum peak ERP & EIRP output powers as follows:

Part 22 Cellular Band					
Frequency range (MHz)	Modulation	Channe Frequency		ERP	
				dBm	mW
824.70 – 848.31	CDMA2000 1xRTT	1013	824.70	27.90	616.6
		384	836.52	27.70	588.8
		777	848.31	28.00	631.0

Part 24 PCS Band					
Frequency range (MHz)	Modulation	Channe Frequency		EIRP	
				dBm	mW
1851.25 – 1908.75	CDMA2000 1xRTT	25	1851.25	27.67	584.8
		600	1880.00	27.66	583.4
		1175	1908.75	27.47	558.5

5.3. SOFTWARE AND FIRMWARE

The EUT is linked with Agilent Communication Test Set.

5.4. WORST-CASE CONFIGURATION AND MODE

The worst-position is the EUT with highest emissions. To determine the worst-case, the EUT was investigated for folded and unfolded X, Y, and Z-Positions, and the worst position among X, Y, or Z with AC/DC adapter and headset, after the investigations, the worst-position was turned out to be open at Y-Position with AC Adapter and headset for cell band and folded Z-Position with an AC Adapter for PCS band.

PROCEDURE USED TO ESTABLISH TEST SIGNAL

3G-CDMA2000 1xRTT

This procedure assumes the Agilent E5515C Test Set has the following applications installed and with valid license.

<u>Application</u>	<u>Rev, License</u>
CDMA2000 Mobil Test	B.10.11, L

1xRTT

- Call Setup > Shift & Preset
- Protocol Rev > 6 (IS-2000-0)
- Radio Config (RC) > RC3 (Fwd3, Rvs3)
- FCH Service Option (SO) Setup > 55
- Traffic Data Rate > Full
- TDSO SCH Info > F-SCH Parameters > F-SCH Data Rate > 153.6 kbps
> R-SCH Parameters > R-SCH Data Rate > 153.6 kbps
- Cell Info > Cell Parameters > System ID (SID) > 1234
> Network ID (NID) > 1
> Initial Registration Channel > 25 (PCS)

Once "Active Cell" show "Connected " then change "Rvs Power Ctrl" from "Active bits" to "**All Up bits**" to get the maximum power.

Worst-case Measurement Result @ Low, Middle and High Channel

Worst-case Measurement Result for Low, Middle and High Channel under Radio Configuration RC3 and Service Option 55.

5.5. DESCRIPTION OF TEST SETUP

SUPPORT EQUIPMENT

TEST EQUIPMENT LIST				
Description	Manufacturer	Model	Asset	Cal Due
Spectrum Analyzer, 44 GHz	Agilent / HP	E4446A	C01069	12/20/13
Communications Test Set	Agilent / HP	E5515C	C01086	11/19/13
Vector Signal Generator	Agilent / HP	E4438C	None	07/06/13
Antenna, Horn, 18 GHz	EMCO	3115	C00783	10/25/13
Antenna, Horn, 18 GHz	EMCO	3115	C00945	12/11/13
Antenna, Bilog, 30MHz-1 GHz	Sunol Sciences	JB1	C01016	08/14/13
Preamplifier, 26.5 GHz	Agilent / HP	8449B	C01063	10/22/13
Tuned Dipole 400-1000 MHz	ETS	3121C DB4	C00994	01/23/14
Highpass Filter, 1.5 GHz	Micro-Tronics	HPM13193	N02689	CNR
Highpass Filter, 2.7 GHz	Micro-Tronics	HPM13194	N02687	CNR

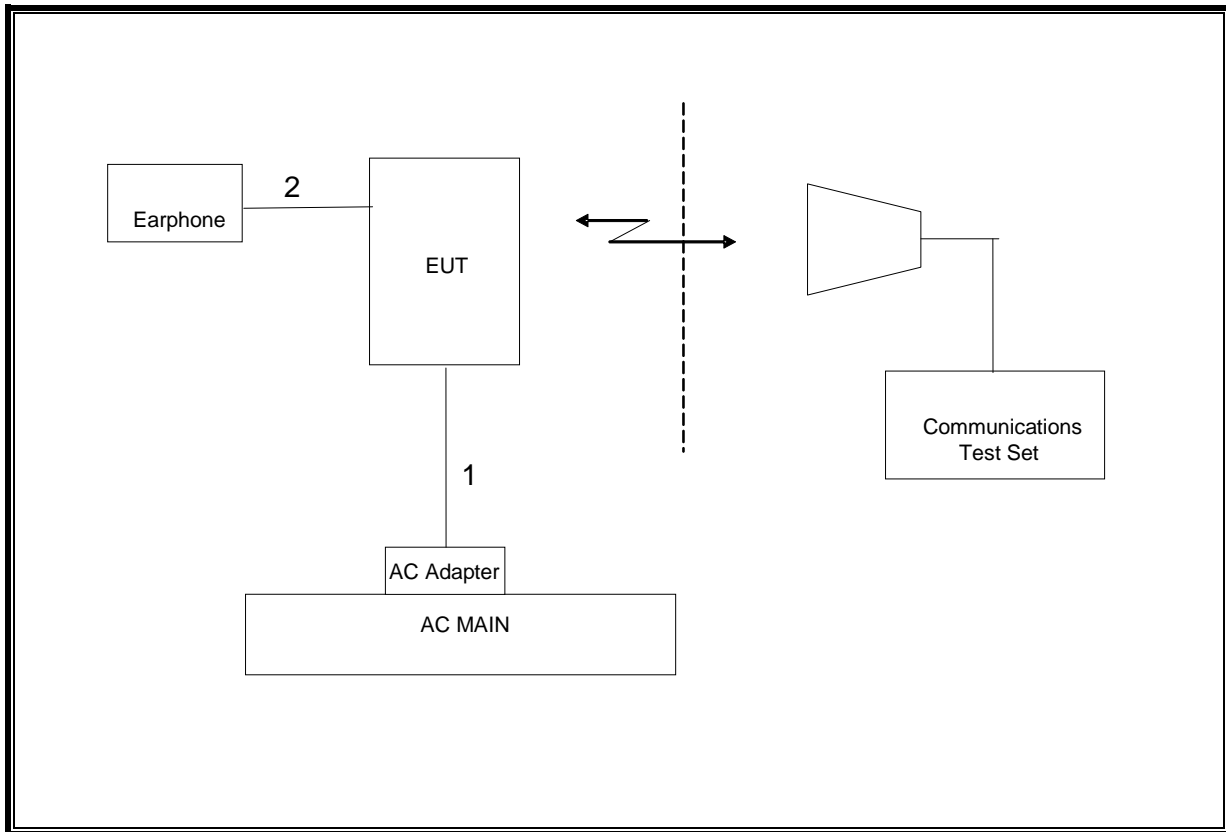
I/O CABLES

I/O CABLE LIST						
Cable No.	Port	# of Identical Ports	Connector Type	Cable Type	Cable Length	Remarks
2	DC	1	USB	Shielded	1.5m	N/A
3	Mic	1	Earphone	Un-shielded	1.5m	N/A

TEST SETUP

The EUT is a CDMA phone and is tested as a standalone configuration. Communications Test Set is used to link the device under test.

SETUP DIAGRAM FOR TESTS



6. TEST AND MEASUREMENT EQUIPMENT

The following test and measurement equipment was utilized for the tests documented in this report:

TEST EQUIPMENT LIST				
Description	Manufacturer	Model	Asset	Cal Due
Spectrum Analyzer, 44 GHz	Agilent / HP	E4446A	C01069	12/20/13
Communications Test Set	Agilent / HP	E5515C	C01086	11/10/13
Vector Signal Generator	Agilent / HP	E4438C	None	07/06/13
Antenna, Horn, 18 GHz	EMCO	3115	C00783	10/25/13
Antenna, Horn, 18 GHz	EMCO	3115	C00945	12/11/13
Antenna, Bilog, 30MHz-1 GHz	Sunol Sciences	JB1	C01016	08/14/13
Preamplifier, 26.5 GHz	Agilent / HP	8449B	C01063	10/22/13
Tuned Dipole 400~1000 MHz	ETS	3121C DB4	C00994	01/23/14
Highpass Filter, 1.5 GHz	Micro-Tronics	HPM13193	N02689	CNR
Highpass Filter, 2.7 GHz	Micro-Tronics	HPM13194	N02687	CNR

7. LIMITS AND RESULTS

7.1. RADIATED OUTPUT POWER

LIMITS

22.913(a) The ERP of mobile transmitters and auxiliary test transmitters must not exceed 7 Watts.

24.232(b) 6.4 Mobile/portable stations are limited to 2 watts e.i.r.p. peak power and the equipment must employ means to limit the power to the minimum necessary for successful communications.

TEST PROCEDURE

ANSI / TIA / EIA 603 Clause 2.2.17.

RESULTS

CELL OUTPUT POWER (ERP)

High Frequency Substitution Measurement Compliance Certification Services Chamber A								
Company:		KYOCERA WIRELESS						
Project #:		12U14874						
Date:		03/30/13						
Test Engineer:		Chin Pang						
Configuration:		EUT/AC Addapter/Headset						
Mode:		TX, CELL BAND, CDMA 1XRTT MODE						
Test Equipment:								
Receiving: Sunol T122, and Chamber A N-type Cable (Setup this one for testing EUT)								
Substitution: Dipole S/N: 1629, 8ft SMA Cable Warehouse.								
f MHz	SG reading (dBm)	Ant. Pol. (H/V)	Cable Loss (dB)	Antenna Gain (dBd)	ERP (dBm)	Limit (dBm)	Margin (dB)	Notes
Low Ch								
824.70	28.70	V	0.8	0.0	27.90	38.5	-10.5	
824.70	22.20	H	0.8	0.0	21.40	38.5	-17.0	
Mid Ch								
836.52	28.50	V	0.8	0.0	27.70	38.5	-10.7	
836.52	22.95	H	0.8	0.0	22.15	38.5	-16.3	
High Ch								
848.31	28.80	V	0.8	0.0	28.00	38.5	-10.4	
848.31	22.90	H	0.8	0.0	22.10	38.5	-16.3	
Rev. 3.30.13								

PCS OUTPUT POWER (EIRP)

High Frequency Fundamental Measurement Compliance Certification Services Chamber A								
Company:		KYOCERA WIRELESS						
Project #:		12U14874						
Date:		03/30/13						
Test Engineer:		Chin Pang						
Configuration:		EUT open with AC Adapter and Headset						
Mode:		TX, PCS BAND, CDMA 1XRTT MODE						
Test Equipment:								
Receiving: Horn T60, and Chamber A SMA Cables								
Substitution: Horn T217 Substitution, 8ft SMA Cable Warehouse								
f GHz	SG reading (dBm)	Ant. Pol. (H/V)	Cable Loss (dB)	Antenna Gain (dBi)	EIRP (dBm)	Limit (dBm)	Delta (dB)	Notes
Low Ch								
1.851	14.4	V	1.00	8.62	22.02	33.0	-11.0	
1.851	20.2	H	1.00	8.47	27.67	33.0	-5.3	
Mid Ch								
1.880	14.6	V	1.10	8.46	21.96	33.0	-11.0	
1.880	20.4	H	1.10	8.36	27.66	33.0	-5.3	
High Ch								
1.909	11.1	V	1.10	8.30	18.33	33.0	-14.7	
1.909	20.3	H	1.10	8.25	27.47	33.0	-5.5	
Rev. 3.30.13								

7.2. FIELD STRENGTH OF SPURIOUS RADIATION

LIMIT

§22.917 (e) and §24.238 (a) (i) & (b): Out of band emissions. The power of any emission outside of the authorized operating frequency ranges must be attenuated below the transmitting power (P) by a factor of at least $43 + 10 \log (P)$ dB.

TEST PROCEDURE

ANSI / TIA / EIA 603 Clause 3.2.12 & FCC 22.917 (b), FCC 24.238

RESULTS

CELL SPURIOUS & HARMONIC (ERP)

Compliance Certification Services									
Above 1GHz High Frequency Substitution Measurement									
Company:		Kyocera							
Project #:		13U14874							
Date:		03/30/13							
Test Engineer:		Chin Pang							
Configuration:		EUT and AC Adapter							
Mode:		TX, Cell Band, CDMA2000							
Chamber		Pre-amplifier			Filter		Limit		
5m Chamber A		T144 8449B			Filter 1		Part 22		
f GHz	SG reading (dBm)	Ant. Pol. (H/V)	Distance (m)	Preamp (dB)	Filter (dB)	EIRP (dBm)	Limit (dBm)	Delta (dB)	Notes
Low Ch, 824.7MHz									
1.649	-20.2	V	3.0	38.2	1.0	-57.3	-13.0	-44.3	
2.474	-14.3	V	3.0	37.5	1.0	-50.8	-13.0	-37.8	
1.649	-23.4	H	3.0	38.2	1.0	-60.6	-13.0	-47.6	
2.474	-22.0	H	3.0	37.5	1.0	-58.5	-13.0	-45.5	
Mid Ch, 836.52MHz									
1.673	-19.9	V	3.0	38.1	1.0	-57.0	-13.0	-44.0	
2.510	-14.2	V	3.0	37.5	1.0	-50.6	-13.0	-37.6	
1.673	-23.2	H	3.0	38.1	1.0	-60.3	-13.0	-47.3	
2.510	-16.9	H	3.0	37.5	1.0	-53.3	-13.0	-40.3	
High Ch, 848.31MHz									
1.697	-19.6	V	3.0	38.1	1.0	-56.7	-13.0	-43.7	
2.545	-18.0	V	3.0	37.5	1.0	-54.5	-13.0	-41.5	
1.697	-22.0	H	3.0	38.1	1.0	-59.1	-13.0	-46.1	
2.545	-19.7	H	3.0	37.5	1.0	-56.1	-13.0	-43.1	
Rev. 03.30.13									
Note: No other emissions were detected above the system noise floor.									

PCS Spurious & Harmonic (EIRP)

Compliance Certification Services Above 1GHz High Frequency Substitution Measurement									
Company:		KYOCERA WIRELESS							
Project #:		13U14874							
Date:		03/30/13							
Test Engineer:		Chin Pang							
Configuration:		EUT open with AC adapter and Headset							
Mode:		TX, PCS Band, CDMA 1XRTT MODE							
Chamber		Pre-amplifier			Filter		Limit		
5m Chamber A		T144 8449B			Filter 1		Part 24		
f GHz	SG reading (dBm)	Ant. Pol. (H/V)	Distance (m)	Preamp (dB)	Filter (dB)	EIRP (dBm)	Limit (dBm)	Delta (dB)	Notes
Low Ch, 1851.25MHz									
3.703	-13.1	V	3.0	36.8	1.0	-48.9	-13.0	-35.9	
5.554	-10.7	V	3.0	36.3	1.0	-46.0	-13.0	-33.0	
7.405	-8.2	V	3.0	36.6	1.0	-43.7	-13.0	-30.7	
3.703	-15.0	H	3.0	36.8	1.0	-50.8	-13.0	-37.8	
5.554	-12.1	H	3.0	36.3	1.0	-47.3	-13.0	-34.3	
7.405	-9.6	H	3.0	36.6	1.0	-45.2	-13.0	-32.2	
Mid Ch, 1880.00MHz									
3.760	-14.9	V	3.0	36.8	1.0	-50.7	-13.0	-37.7	
5.640	-11.6	V	3.0	36.3	1.0	-46.9	-13.0	-33.9	
7.520	-9.0	V	3.0	36.6	1.0	-44.6	-13.0	-31.6	
3.760	-15.8	H	3.0	36.8	1.0	-51.6	-13.0	-38.6	
5.640	-10.9	H	3.0	36.3	1.0	-46.2	-13.0	-33.2	
7.520	-8.9	H	3.0	36.6	1.0	-44.5	-13.0	-31.5	
High Ch, 1908.75MHz									
3.818	-11.8	V	3.0	36.7	1.0	-47.5	-13.0	-34.5	
5.726	-10.5	V	3.0	36.3	1.0	-45.8	-13.0	-32.8	
7.635	-7.9	V	3.0	36.6	1.0	-43.5	-13.0	-30.5	
3.818	-11.7	H	3.0	36.7	1.0	-47.4	-13.0	-34.4	
5.726	-8.8	H	3.0	36.3	1.0	-44.1	-13.0	-31.1	
7.635	-7.8	H	3.0	36.6	1.0	-43.4	-13.0	-30.4	
Rev. 03.30.13									
Note: No other emissions were detected above the system noise floor.									