



Inter**Lab**[®]

ISW11K

SW:134.1.1199 (SVN01)

HW:1.0

Report Reference:

ODE_MJP_KYOCE_1101_FCCc

According to:

FCC 47 CFR Ch.1 Part 24, Subpart E

Date:

November 15, 2011

Test Laboratory:

7Layers AG
Borsigstr. 11
40880 Ratingen
Germany



Note:

The following test results relate only to the devices specified in this document. This report shall not be reproduced in parts without the written approval of the test laboratory.

7Layers AG
Borsigstrasse 11
40880 Ratingen, Germany
Phone: +49 (0) 2102 749 0
Fax: +49 (0) 2102 749 350
www.7Layers.com

Aufsichtsratsvorsitzender •
Chairman of the Supervisory Board:
Markus Becker
Vorstand • Board:
Dr. H.-J. Meckelburg

Registergericht • registered in:
Düsseldorf, HRB 44096
USt-IdNr • VAT No.:
DE 203159652
TAX No. 147/5869/0385

1 Administrative Data

1.1 Project Data

Project Responsible: Patrick Lomax
Date Of Test Report: 2011/11/15
Date of first test: 2011/10/07
Date of last test: 2011/11/14

1.2 Test Laboratory Data

The following list shows all places and laboratories involved for test result generation:

7 layers DE

Company Name : 7 layers AG
Street : Borsigstrasse 11
City : 40880 Ratingen
Country : Germany
Contact Person : Mr. Michael Albert
Phone : +49 2102 749 201
Fax : +49 2102 749 444
E Mail : michael.albert@7Layers.de

Laboratory Details

<i>Lab ID</i>	<i>Identification</i>	<i>Responsible</i>	<i>Accreditation Info</i>
Lab 1	Radiated Emissions	Mr. Robert Machulec Mr. Andreas Petz	DAkkS-Registration no. D-PL-12140-01-01
Lab 2	Radio Lab	Mr. Robert Machulec Mr. Andreas Petz	DAkkS-Registration no. D-PL-12140-01-01

1.3 Signature of the Testing Responsible



Marco Kullik
responsible for tests performed in: Lab 1, Lab 2

1.4 Signature of the Accreditation Responsible



Accreditation scope responsible person
responsible for Lab 1, Lab 2



2 Test Object Data

2.1 General OUT Description

The following section lists all OUTs (Object's Under Test) involved during testing.

OUT: F41 (ISW11K)

Type / Model / Family: ISW11K
 SW:134.1.1199 (SVN01)
 HW:1.0

Product Category: Mobile Phone

Manufacturer:
Company Name: please see applicant data

Contact Person: -

Parameter List:

Parameter name	Value
Parameter for Scope FCC_v2:	
Antenna gain 1700 band	-1 (dBi)
Antenna gain 1900 band	-1 (dBi)
Antenna gain 850 band	-1 (dBi)
highest channel	251 (848.8MHz) for GSM850, 810 (1909.8MHz) for GSM1900, 777 (848,3 MHz) for CDMA2000
lowest channel	128 (824.2MHz) for GSM850, 512 (1850.2MHz) for GSM1900, 1013 (824.7 MHz) for CDMA2000
mid channel	190 (836.6MHz) for GSM850, 661 (1880.0MHz) for GSM1900, 384, (848.3 MHz) for CDMA2000

2.2 Detailed Description of OUT Samples

Sample : R02

<i>OUT Identifier</i>	F41 (ISW11K)		
<i>Sample Description</i>	standard sample		
<i>Serial No.</i>	SKYIA000175		
<i>HW Status</i>	1.0		
<i>SW Status</i>	109.0.0000		
<i>Date of Receipt</i>	2011/08/15		
<i>Low Voltage</i>	3.4 V	<i>Low Temp.</i>	-10 °C
<i>High Voltage</i>	4.2 V	<i>High Temp.</i>	55 °C
<i>Nominal Voltage</i>	3.8 V	<i>Normal Temp.</i>	25 °C

2.3 OUT Features

Features for OUT: F41 (ISW11K)

<i>Designation</i>	<i>Description</i>	<i>Allowed Values</i>	<i>Supported Value(s)</i>
Features for scope: FCC_v2			
AC	The OUT is powered by or connected to AC Mains		
BT	EUT supports Bluetooth data rate of 1 Mbps with GFSK modulation in the band 2400 MHz - 2483.5 MHz		
CDMA2000_800	EUT supports CDMA2000 band 824MHz - 849MHz (Band class 0)		
DC	The OUT is powered by or connected to DC Mains		
EDR2	EUT supports Bluetooth using data rate of 2 Mbps with PI/4 DQPSK modulation in the band 2400 MHz - 2483.5 MHz		
EDR3	EUT supports Bluetooth using data rate of 3 Mbps with 8DPSK modulation in the band 2400 MHz - 2483.5 MHz		
GSM850	EUT supports GSM850 band 824MHz - 849MHz		
Iant	Integral Antenna: permanent fixed antenna, which may be built-in, designed as an indispensable part of the equipment		
PCS1900	EUT supports PCS1900 band 1850MHz - 1910MHz		
TantC	temporary antenna connector, which may be only built-in for testing, designed as an example part of the equipment		
Wb	EUT supports WLAN in mode b in the band 2400 MHz - 2483.5 MHz		
Wg	EUT supports WLAN in mode g in the band 2400 MHz - 2483.5 MHz		
WLAN	EUT supports WLAN channels 2412 MHz - 2462 MHz.		

2.4 Operating Mode(s)

<i>Ref.-No.</i>	<i>Description</i>
02	GSM operating on channel 661, while Bluetooth is operating in hopping mode.
03	GSM operating on channel 661 and WLAN operating at 2437 MHz on maximum power

2.5 Setups used for Testing

For each setup a relation is given to determine if and which samples and auxiliary equipment is used. The left side list all OUT samples and the right side lists all auxiliary equipment for the given setup.

<i>Setup No.</i>	<i>List of OUT samples</i>	<i>List of auxiliary equipment</i>		
	<i>Sample No.</i>	<i>Sample Description</i>	<i>AE No.</i>	<i>AE Description</i>

S01_R02

Sample: R02 standard sample

3 Results

3.1 General

Documentation of tested devices:

Available at the test laboratory.

Interpretation of the test results:

The results of the inspection are described on the following pages, where 'Conformity' or 'Passed' means that the certification criteria were verified and that the tested device is conform to the applied standard.

In cases where 'Declaration' is printed, the required documents are available in the manufacturers product documentation.

In cases where 'not applicable' is printed, the test case requirements are not relevant to the specific equipment implementation.

Note:

The laboratory environmental conditions are recorded and available in the Interlab system for each performed test.

3.2 List of the Applicable Body

(Body for Scope: FCC_v2)

<i>Designation</i>	<i>Description</i>
FCC47CFRChIPART24PERSONAL COMMUNICATIONS SERVICES	Part 24, Subpart E - Broadband PCS

3.3 List of Test Specification

<i>Test Specification:</i>	FCC part 2 and 24
<i>Version</i>	10-1-10 Edition
<i>Title:</i>	PART 2 - GENERAL RULES AND REGULATIONS PART 24 - PERSONAL COMMUNICATIONS SERVICES



3.4 Summary

Test Case Identifier / Name Test (condition)	Result	Date of Test	Lab Ref.	Setup
24.1 RF Power Output §2.1046, §24.232				
24.1; Frequency Band = 1900, Mode = GSM, Channel = 512, Frequency = 1850.2MHz, Method = conducted	Passed	2011/10/11	Lab 2	S01_R02
24.1; Frequency Band = 1900, Mode = GSM, Channel = 512, Frequency = 1850.2MHz, Method = radiated	Passed	2011/10/07	Lab 1	S01_R02
24.1; Frequency Band = 1900, Mode = GSM, Channel = 661, Frequency = 1880.0MHz, Method = conducted	Passed	2011/10/11	Lab 2	S01_R02
24.1; Frequency Band = 1900, Mode = GSM, Channel = 661, Frequency = 1880.0MHz, Method = radiated	Passed	2011/10/07	Lab 1	S01_R02
24.1; Frequency Band = 1900, Mode = GSM, Channel = 810, Frequency = 1909.8MHz, Method = conducted	Passed	2011/10/11	Lab 2	S01_R02
24.1; Frequency Band = 1900, Mode = GSM, Channel = 810, Frequency = 1909.8MHz, Method = radiated	Passed	2011/10/07	Lab 1	S01_R02
24.2 Frequency stability §2.1055, §24.235				
24.2; Frequency Band = 1900, Mode = GSM, Channel = 661, Frequency = 1880.0MHz	Passed	2011/11/14	Lab 2	S01_R02
24.3 Spurious emissions at antenna terminals §2.1051, §24.238				
24.3; Frequency Band = 1900, Mode = GSM, Channel = 512, Frequency = 1850.2MHz	Passed	2011/10/11	Lab 2	S01_R02
24.3; Frequency Band = 1900, Mode = GSM, Channel = 661, Frequency = 1880.0MHz	Passed	2011/10/11	Lab 2	S01_R02
24.3; Frequency Band = 1900, Mode = GSM, Channel = 810, Frequency = 1909.8MHz	Passed	2011/10/11	Lab 2	S01_R02
24.4 Field strength of spurious radiation §2.1053, §24.238				
24.4; Frequency Band = 1900, Mode = GSM, Channel = 512, Frequency = 1850.2MHz	Passed	2011/10/09	Lab 1	S01_R02
24.4; Frequency Band = 1900, Mode = GSM, Channel = 661, Frequency = 1880.0MHz	Passed	2011/11/14	Lab 1	S01_R02
				operating mode: 03
				Peak seen over limit is primary WLAN signal and not a failure.
	Passed	2011/11/14	Lab 1	S01_R02
				operating mode: 02
				Peak seem over the limit line is Bluetooth primary signal and not a failure.
	Passed	2011/10/10	Lab 1	S01_R02
24.4; Frequency Band = 1900, Mode = GSM, Channel = 810, Frequency = 1909.8MHz	Passed	2011/10/10	Lab 1	S01_R02
24.5 Emission and Occupied Bandwidth §2.1049, §24.238				
24.5; Frequency Band = 1900, Mode = GSM, Channel = 512, Frequency = 1850.2MHz	Passed	2011/10/11	Lab 2	S01_R02
24.5; Frequency Band = 1900, Mode = GSM, Channel = 661, Frequency = 1880.0MHz	Passed	2011/10/11	Lab 2	S01_R02
24.5; Frequency Band = 1900, Mode = GSM, Channel = 810, Frequency = 1909.8MHz	Passed	2011/10/11	Lab 2	S01_R02
24.6 Band edge compliance §2.1053, §24.238				
24.6; Frequency Band = 1900, Mode = GSM, Channel = 512, Frequency = 1850.2MHz	Passed	2011/10/11	Lab 2	S01_R02
24.6; Frequency Band = 1900, Mode = GSM, Channel = 810, Frequency = 1909.8MHz	Passed	2011/10/11	Lab 2	S01_R02

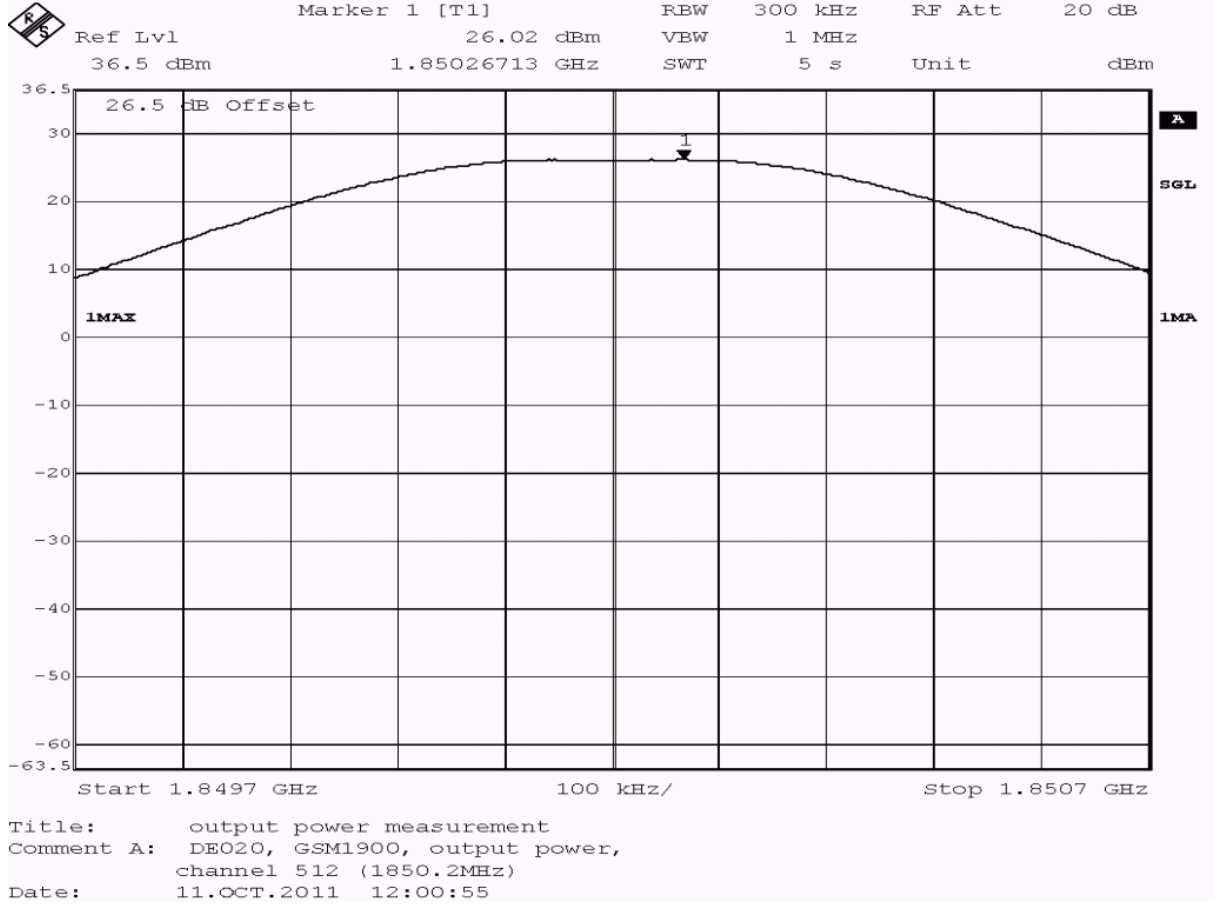
3.5 Detailed Results

3.5.1 24.1 RF Power Output §2.1046, §24.232

Test: 24.1; Frequency Band = 1900, Mode = GSM, Channel = 512, Frequency = 1850.2MHz, Method = conducted

<i>Result:</i>	Passed
<i>Setup No.:</i>	S01_R02
<i>Date of Test:</i>	2011/10/11 11:59
<i>Body:</i>	FCC47CFRChIPART24PERSONAL COMMUNICATIONS SERVICES
<i>Test Specification:</i>	FCC part 2 and 24

Detailed Results:



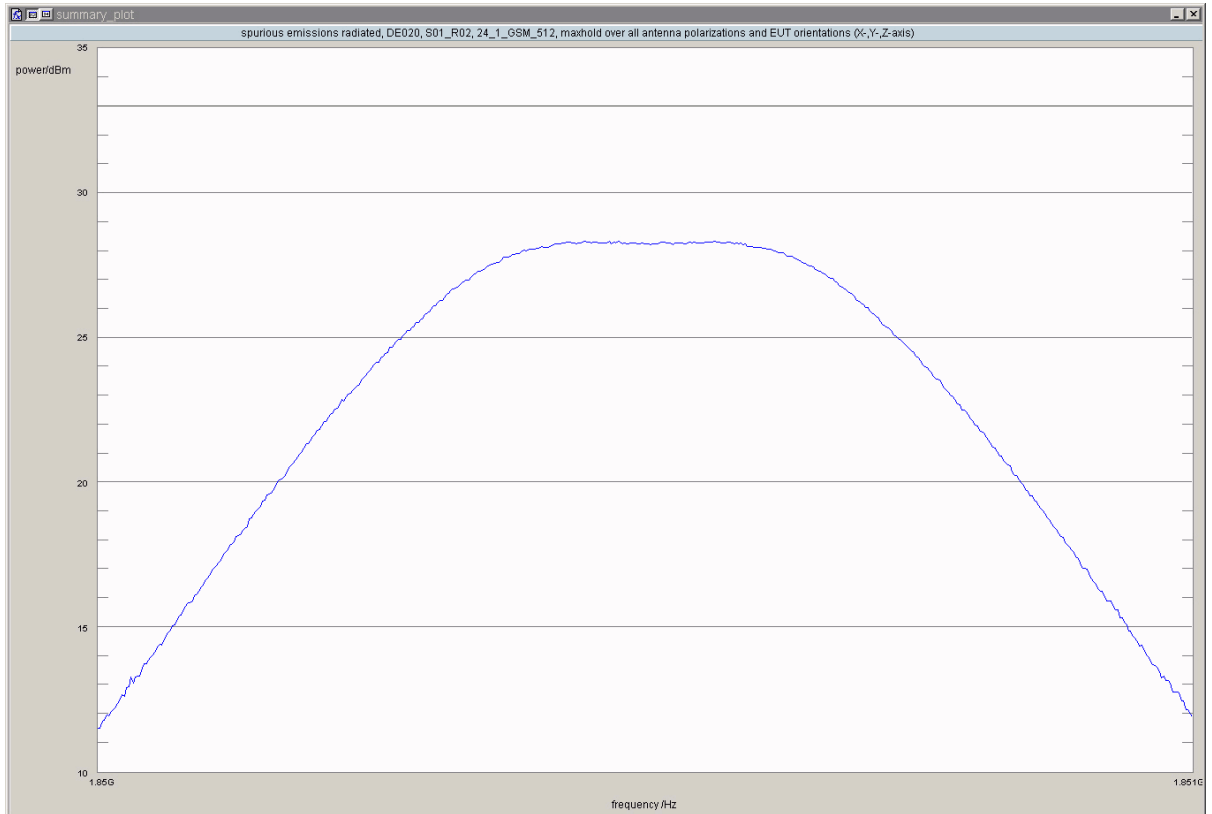
detector	trace	resolution bandwidth /kHz	conducted peak value /dBm	peak value EIRP /dBm	peak value ERP /dBm	limit /dBm	verdict
peak	maxhold	300	26.02	25.02	22.88	EIRP 33	passed
average	maxhold	300	26.12	25.12	22.98	EIRP 33	passed
rms	maxhold	300	26.22	25.22	23.08	EIRP 33	passed

antenna gain = -1 dBi

Test: 24.1; Frequency Band = 1900, Mode = GSM, Channel = 512, Frequency = 1850.2MHz, Method = radiated

Result: Passed
 Setup No.: S01_R02
 Date of Test: 2011/10/07 11:24
 Body: FCC47CFRChIPART24PERSONAL COMMUNICATIONS SERVICES
 Test Specification: FCC part 2 and 24

Detailed Results:



detector	trace	resolution bandwidth /kHz	frequency /MHz	peak value /dBm	limit /dBm	margin to limit /dB	azimuth /°	antenna polarization	EUT orientation	verdict
peak	maxhold	300	1850.14	28.34	33.00	4.66	165.0	horizontal	horizontal	passed

no further values have been found with a margin of less than 30 dB

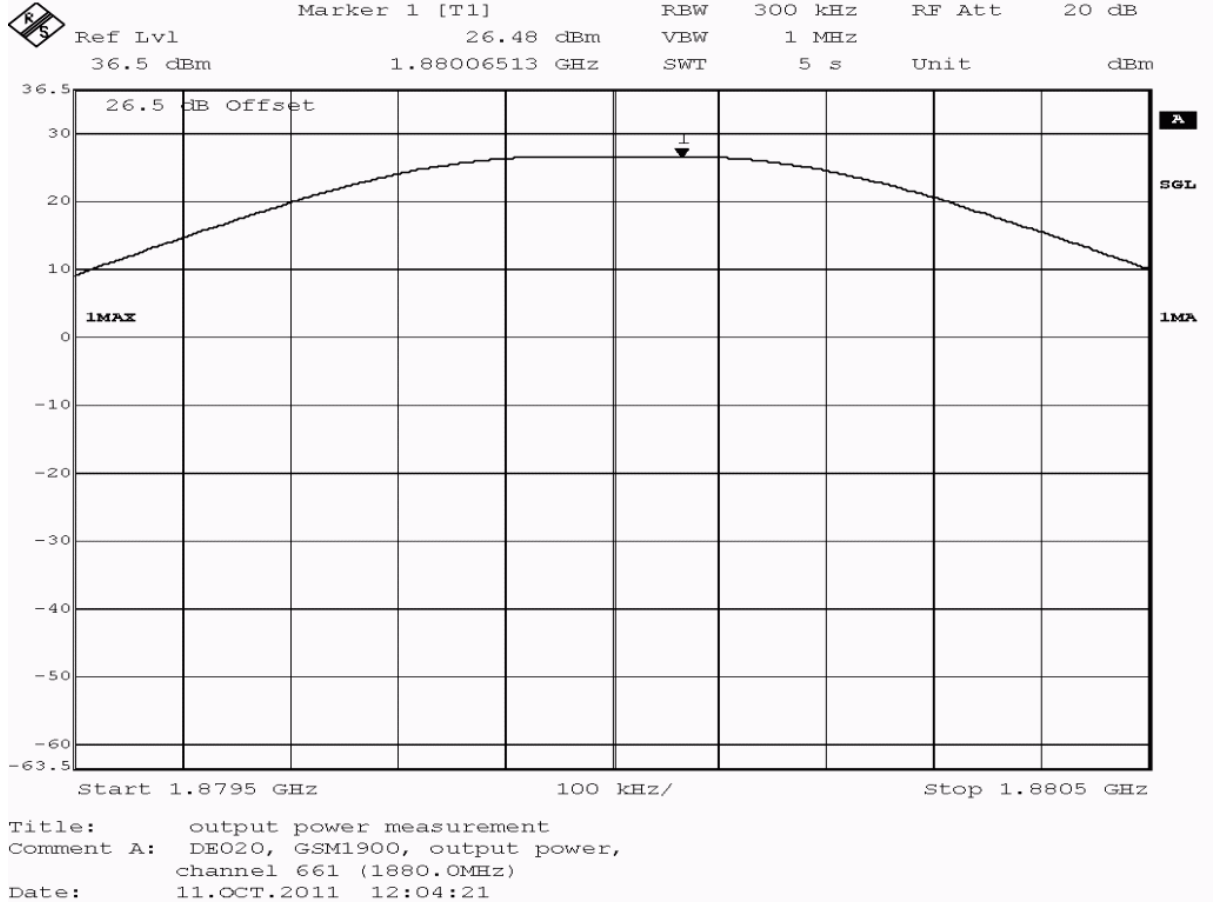


Reference: ODE_MJP_KYOCE_1101_FCCc
According to:
FCC 47 CFR Ch.1 Part 24, Subpart E

Test: 24.1; Frequency Band = 1900, Mode = GSM, Channel = 661, Frequency = 1880.0MHz, Method = conducted

<i>Result:</i>	Passed
<i>Setup No.:</i>	S01_R02
<i>Date of Test:</i>	2011/10/11 12:01
<i>Body:</i>	FCC47CFRChIPART24PERSONAL COMMUNICATIONS SERVICES
<i>Test Specification:</i>	FCC part 2 and 24

Detailed Results:



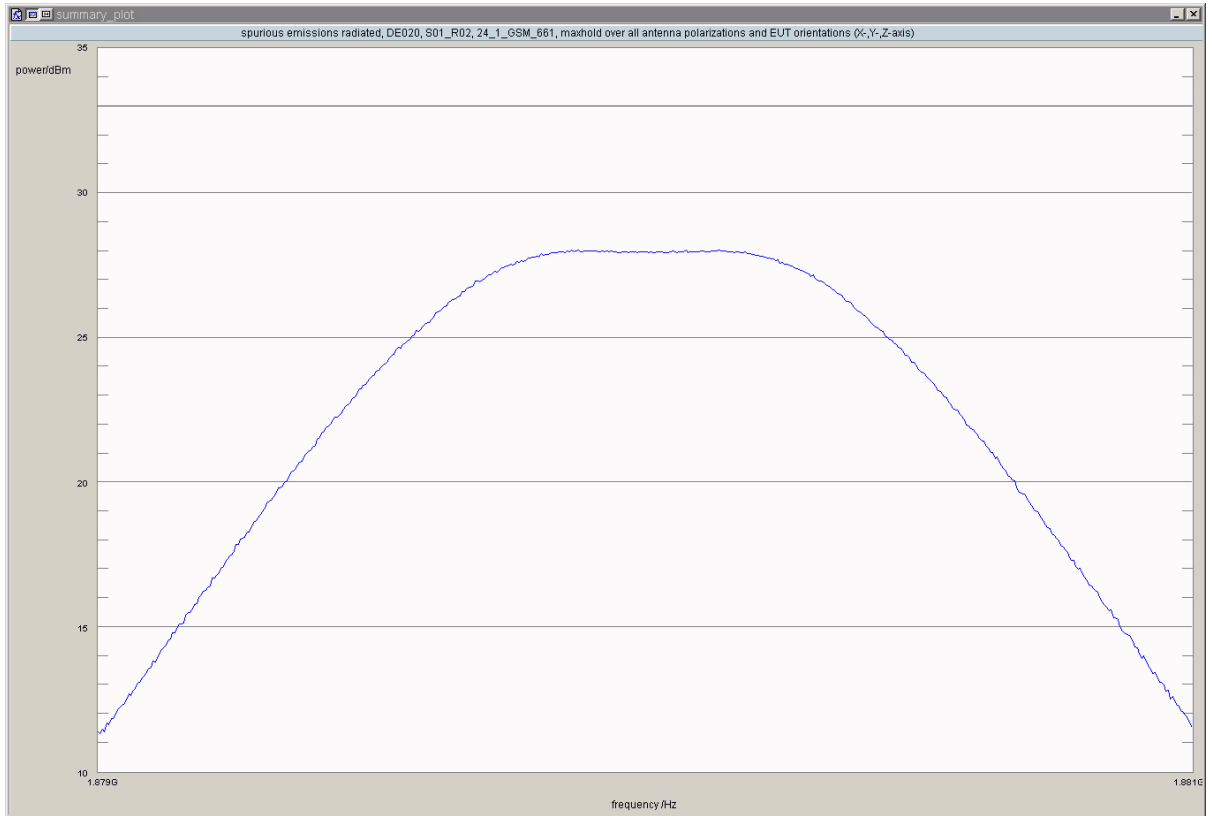
detector	trace	resolution bandwidth /kHz	conducted peak value /dBm	peak value EIRP /dBm	peak value ERP /dBm	limit /dBm	verdict
peak	maxhold	300	26.48	25.48	23.34	EIRP 33	passed
average	maxhold	300	26.58	25.58	23.44	EIRP 33	passed
rms	maxhold	300	26.68	25.68	23.54	EIRP 33	passed

antenna gain = -1 dBi

Test: 24.1; Frequency Band = 1900, Mode = GSM, Channel = 661, Frequency = 1880.0MHz, Method = radiated

Result: Passed
 Setup No.: S01_R02
 Date of Test: 2011/10/07 11:51
 Body: FCC47CFRChIPART24PERSONAL COMMUNICATIONS SERVICES
 Test Specification: FCC part 2 and 24

Detailed Results:



detector	trace	resolution bandwidth /kHz	frequency /MHz	peak value /dBm	limit /dBm	margin to limit /dB	azimuth /°	antenna polarization	EUT orientation	verdict
peak	maxhold	300	1879.94	28.03	33.00	4.97	165.0	horizontal	horizontal	passed

no further values have been found with a margin of less than 30 dB



Reference: ODE_MJP_KYOCE_1101_FCCc

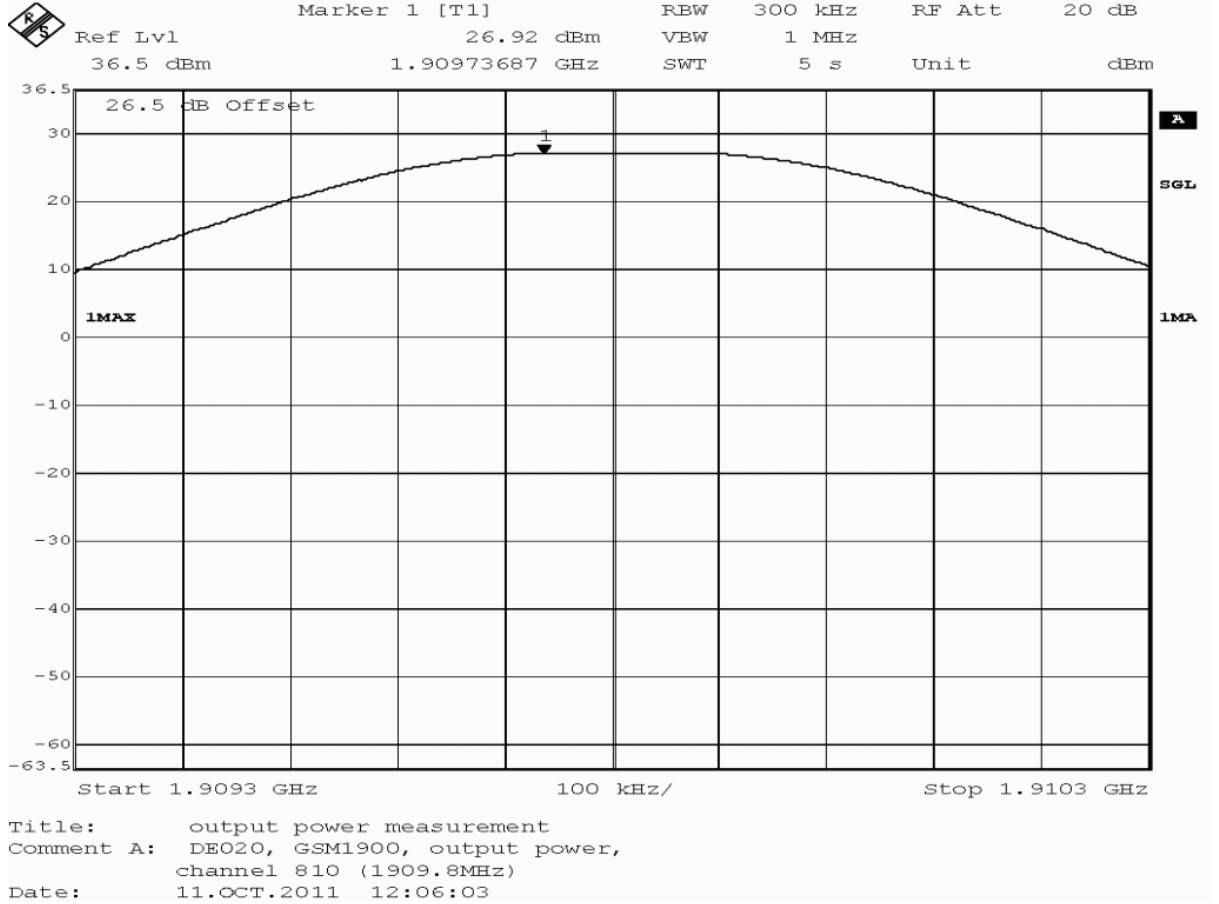
According to:

FCC 47 CFR Ch.1 Part 24, Subpart E

Test: 24.1; Frequency Band = 1900, Mode = GSM, Channel = 810, Frequency = 1909.8MHz, Method = conducted

<i>Result:</i>	Passed
<i>Setup No.:</i>	S01_R02
<i>Date of Test:</i>	2011/10/11 12:02
<i>Body:</i>	FCC47CFRChIPART24PERSONAL COMMUNICATIONS SERVICES
<i>Test Specification:</i>	FCC part 2 and 24

Detailed Results:



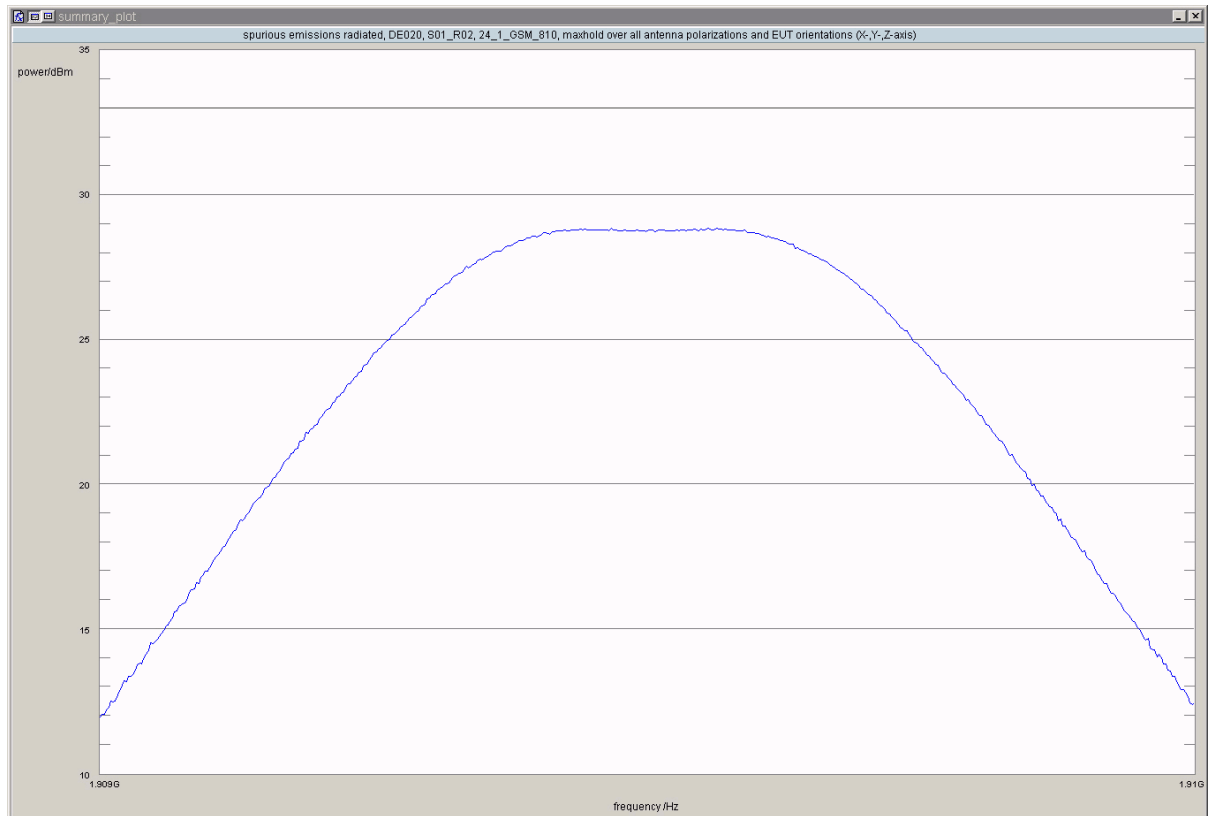
detector	trace	resolution bandwidth /kHz	conducted peak value /dBm	peak value EIRP /dBm	peak value ERP /dBm	limit /dBm	verdict
peak	maxhold	300	26.92	25.92	23.78	EIRP 33	passed
average	maxhold	300	27.02	26.02	23.88	EIRP 33	passed
rms	maxhold	300	27.12	26.12	23.98	EIRP 33	passed

antenna gain = -1 dBi

Test: 24.1; Frequency Band = 1900, Mode = GSM, Channel = 810, Frequency = 1909.8MHz, Method = radiated

Result: Passed
 Setup No.: S01_R02
 Date of Test: 2011/10/07 12:18
 Body: FCC47CFRChIPART24PERSONAL COMMUNICATIONS SERVICES
 Test Specification: FCC part 2 and 24

Detailed Results:



detector	trace	resolution bandwidth /kHz	frequency /MHz	peak value /dBm	limit /dBm	margin to limit /dB	azimuth /°	antenna polarization	EUT orientation	verdict
peak	maxhold	300	1909.77	28.85	33.00	4.15	165.0	horizontal	horizontal	passed

no further values have been found with a margin of less than 30 dB



Reference: ODE_MJP_KYOCE_1101_FCCc
According to:
FCC 47 CFR Ch.1 Part 24, Subpart E

3.5.2 24.2 Frequency stability §2.1055, §24.235

Test: 24.2; Frequency Band = 1900, Mode = GSM, Channel = 661, Frequency = 1880.0MHz

<i>Result:</i>	Passed
<i>Setup No.:</i>	S01_R02
<i>Date of Test:</i>	2011/11/14 16:23
<i>Body:</i>	FCC47CFRChIPART24PERSONAL COMMUNICATIONS SERVICES
<i>Test Specification:</i>	FCC part 2 and 24

Detailed Results:

FCC part 24 frequency stability			
GSM 1900 TCH 661			

		Normal Voltage / V	
		3.8	
Temp. °C	Duration min	Freq. error Average (Hz)	Freq. error Max. (Hz)
-30	0	88	111
-30	5	63	81
-30	10	33	54
-20	0	87	104
-20	5	61	66
-20	10	41	58
-10	0	53	69
-10	5	64	80
-10	10	67	81
0	0	65	77
0	5	66	74
0	10	69	74
10	0	51	67
10	5	29	46
10	10	31	40
30	0	13	41
30	5	18	30
30	10	5	16
40	0	14	34
40	5	26	32
40	10	6	28
50	0	30	39
50	5	21	31
50	10	6	20

Remark: The OUT did not operate at -30 °C and -20 °C.

		Minimum Voltage / V		Normal Voltage / V		Maximum Voltage / V	
		3.4		3.8		4.2	
Temp. °C	Duration min	Freq. error Average (Hz)	Freq. error Max. (Hz)	Freq. error Average (Hz)	Freq. error Max. (Hz)	Freq. error Average (Hz)	Freq. error Max. (Hz)
20	0	33	47	0	-31	34	50
20	5	29	43	19	44	22	35
20	10	28	40	7	24	20	30

Remark: The EUT was not able to reach (115% of normal voltage)

		battery operating end point	
		3.4	
Temp. °C	Duration min	Freq. error Average (Hz)	Freq. error Max. (Hz)
20	0	33	47
20	5	22	38
20	10	14	21

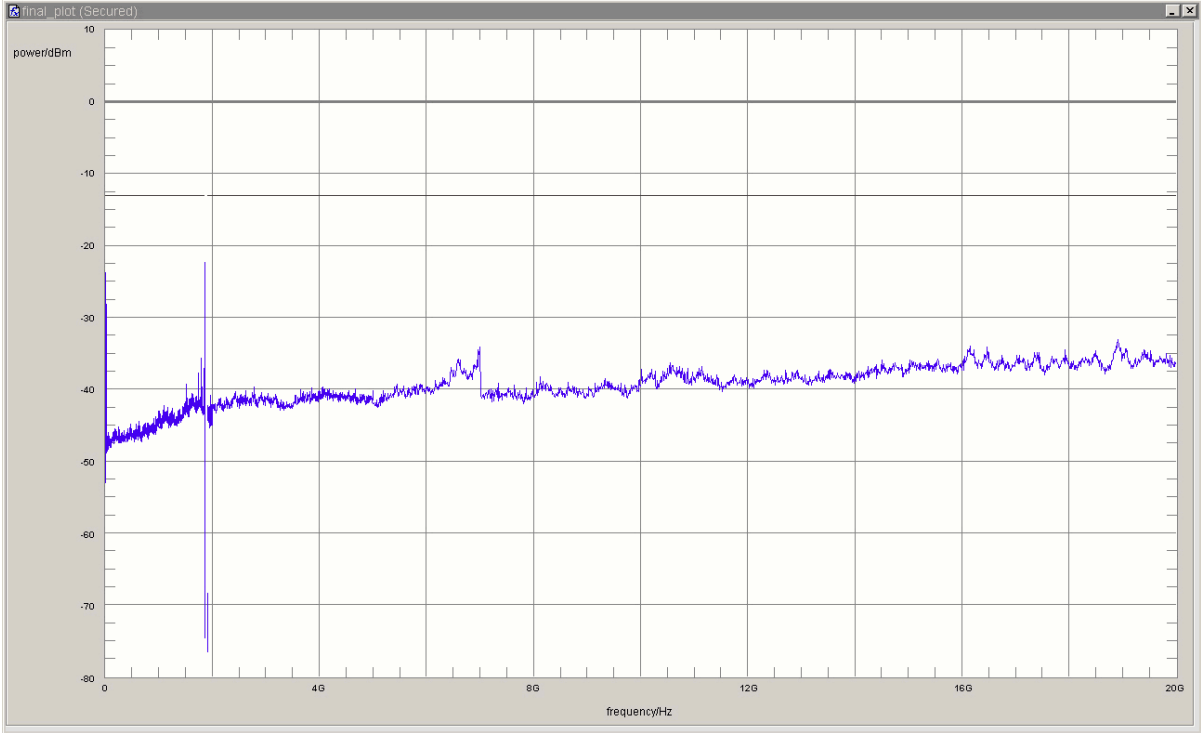
Remark: The call is established at normal voltage and the voltage is then reduced to the battery operating end

3.5.3 24.3 Spurious emissions at antenna terminals §2.1051, §24.238

Test: 24.3; Frequency Band = 1900, Mode = GSM, Channel = 512, Frequency = 1850.2MHz

<i>Result:</i>	Passed
<i>Setup No.:</i>	S01_R02
<i>Date of Test:</i>	2011/10/11 11:19
<i>Body:</i>	FCC47CFRChIPART24PERSONAL COMMUNICATIONS SERVICES
<i>Test Specification:</i>	FCC part 2 and 24

Detailed Results:



detector	trace	resolution bandwidth /kHz	frequency /MHz	peak value /dBm	margin to limit /dB	limit /dBm	verdict
peak	maxhold	100	3.13	-32.4	19.4	-13.0	passed
peak	maxhold	100	3.22	-31.1	18.1	-13.0	passed
peak	maxhold	100	3.29	-33.0	20.0	-13.0	passed
peak	maxhold	100	3.62	-32.3	19.3	-13.0	passed
peak	maxhold	100	3.71	-30.4	17.4	-13.0	passed
peak	maxhold	100	3.78	-30.7	17.7	-13.0	passed
peak	maxhold	100	4.75	-31.0	18.0	-13.0	passed
peak	maxhold	100	4.82	-31.5	18.5	-13.0	passed
peak	maxhold	100	4.91	-31.8	18.8	-13.0	passed
peak	maxhold	100	4.99	-32.1	19.1	-13.0	passed
peak	maxhold	100	5.47	-32.7	19.7	-13.0	passed
peak	maxhold	100	5.55	-31.8	18.8	-13.0	passed
peak	maxhold	100	5.64	-31.3	18.3	-13.0	passed
peak	maxhold	100	5.73	-31.9	18.9	-13.0	passed
peak	maxhold	100	5.80	-31.1	18.1	-13.0	passed
peak	maxhold	100	5.87	-31.8	18.8	-13.0	passed
peak	maxhold	100	5.96	-31.8	18.8	-13.0	passed
peak	maxhold	100	6.03	-30.1	17.1	-13.0	passed
peak	maxhold	100	6.12	-29.8	16.8	-13.0	passed
peak	maxhold	100	6.19	-29.7	16.7	-13.0	passed
peak	maxhold	100	6.28	-29.1	16.1	-13.0	passed
peak	maxhold	100	6.36	-30.2	17.2	-13.0	passed
peak	maxhold	100	6.43	-30.3	17.3	-13.0	passed
peak	maxhold	100	6.52	-27.7	14.7	-13.0	passed
peak	maxhold	100	6.61	-27.8	14.8	-13.0	passed
peak	maxhold	100	6.68	-27.0	14.0	-13.0	passed
peak	maxhold	100	6.77	-27.6	14.6	-13.0	passed
peak	maxhold	100	6.84	-26.7	13.7	-13.0	passed
peak	maxhold	100	6.93	-26.0	13.0	-13.0	passed
peak	maxhold	100	7.01	-26.8	13.8	-13.0	passed
peak	maxhold	100	7.08	-25.5	12.5	-13.0	passed
peak	maxhold	100	7.17	-26.1	13.1	-13.0	passed
peak	maxhold	100	7.24	-25.1	12.1	-13.0	passed
peak	maxhold	100	7.31	-25.3	12.3	-13.0	passed
peak	maxhold	100	7.40	-25.6	12.6	-13.0	passed
peak	maxhold	100	7.47	-24.2	11.2	-13.0	passed
peak	maxhold	100	7.57	-23.9	10.9	-13.0	passed
peak	maxhold	100	7.64	-23.9	10.9	-13.0	passed
peak	maxhold	100	7.73	-24.9	11.9	-13.0	passed
peak	maxhold	100	7.80	-23.8	10.8	-13.0	passed
peak	maxhold	100	7.91	-24.1	11.1	-13.0	passed
peak	maxhold	100	7.98	-24.4	11.4	-13.0	passed
peak	maxhold	100	8.07	-26.4	13.4	-13.0	passed
peak	maxhold	100	8.14	-25.4	12.4	-13.0	passed
peak	maxhold	100	8.21	-26.0	13.0	-13.0	passed
peak	maxhold	100	8.30	-27.7	14.7	-13.0	passed
peak	maxhold	100	8.38	-27.6	14.6	-13.0	passed
peak	maxhold	100	8.47	-28.4	15.4	-13.0	passed
peak	maxhold	100	8.54	-27.2	14.2	-13.0	passed
peak	maxhold	100	8.63	-27.2	14.2	-13.0	passed
peak	maxhold	100	8.70	-28.9	15.9	-13.0	passed
peak	maxhold	100	8.79	-29.7	16.7	-13.0	passed
peak	maxhold	100	8.85	-30.9	17.9	-13.0	passed
peak	maxhold	100	8.94	-31.3	18.3	-13.0	passed
peak	maxhold	100	9.04	-32.1	19.1	-13.0	passed
peak	maxhold	100	9.19	-31.5	18.5	-13.0	passed
peak	maxhold	100	9.33	-32.7	19.7	-13.0	passed
peak	maxhold	1000	10.0	-28.1	15.1	-13.0	passed
peak	maxhold	3	1849.9359	-31.8	18.8	-13.0	passed
peak	maxhold	3	1849.9399	-28.4	15.4	-13.0	passed
peak	maxhold	3	1849.9459	-23.9	10.9	-13.0	passed
peak	maxhold	3	1849.9780	-22.7	9.7	-13.0	passed
peak	maxhold	3	1849.9880	-22.4	9.4	-13.0	passed

no further values have been found with a margin of less than 20 dB

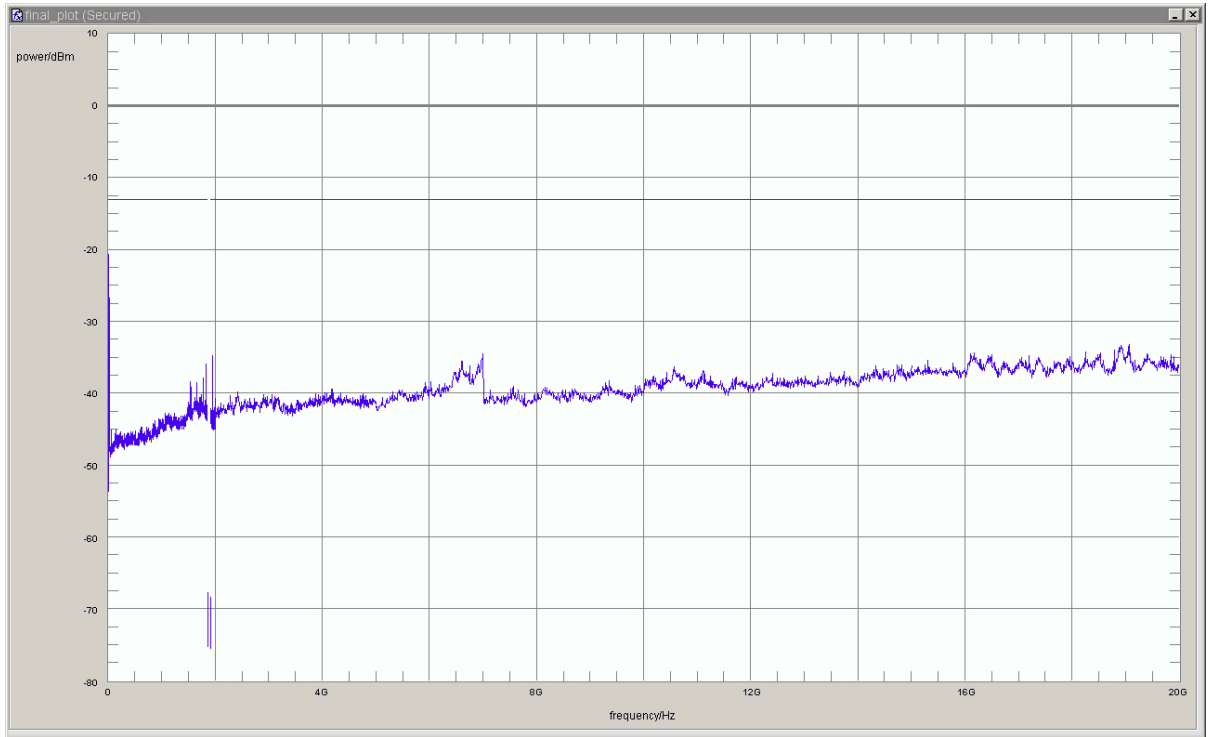


Reference: ODE_MJP_KYOCE_1101_FCCc
According to:
FCC 47 CFR Ch.1 Part 24, Subpart E

Test: 24.3; Frequency Band = 1900, Mode = GSM, Channel = 661, Frequency = 1880.0MHz

<i>Result:</i>	Passed
<i>Setup No.:</i>	S01_R02
<i>Date of Test:</i>	2011/10/11 11:13
<i>Body:</i>	FCC47CFRChIPART24PERSONAL COMMUNICATIONS SERVICES
<i>Test Specification:</i>	FCC part 2 and 24

Detailed Results:





Reference: ODE_MJP_KYOCE_1101_FCC

According to:

FCC 47 CFR Ch.1 Part 24, Subpart E

detector	trace	resolution bandwidth /kHz	frequency /MHz	peak value /dBm	margin to limit /dB	limit /dBm	verdict
peak	maxhold	10	0.233	-30.8	17.8	-13.0	passed
peak	maxhold	10	0.357	-32.5	19.5	-13.0	passed
peak	maxhold	10	0.374	-31.7	18.7	-13.0	passed
peak	maxhold	100	2.06	-33.0	20.0	-13.0	passed
peak	maxhold	100	2.62	-32.3	19.3	-13.0	passed
peak	maxhold	100	2.71	-32.3	19.3	-13.0	passed
peak	maxhold	100	2.79	-32.3	19.3	-13.0	passed
peak	maxhold	100	3.02	-31.5	18.5	-13.0	passed
peak	maxhold	100	3.11	-29.9	16.9	-13.0	passed
peak	maxhold	100	3.18	-28.8	15.8	-13.0	passed
peak	maxhold	100	3.27	-28.4	15.4	-13.0	passed
peak	maxhold	100	3.34	-29.4	16.4	-13.0	passed
peak	maxhold	100	3.43	-32.7	19.7	-13.0	passed
peak	maxhold	100	3.58	-29.8	16.8	-13.0	passed
peak	maxhold	100	3.67	-27.4	14.4	-13.0	passed
peak	maxhold	100	3.74	-27.1	14.1	-13.0	passed
peak	maxhold	100	3.83	-28.4	15.4	-13.0	passed
peak	maxhold	100	4.23	-32.5	19.5	-13.0	passed
peak	maxhold	100	4.32	-31.9	18.9	-13.0	passed
peak	maxhold	100	4.39	-29.4	16.4	-13.0	passed
peak	maxhold	100	4.48	-28.5	15.5	-13.0	passed
peak	maxhold	100	4.55	-28.2	15.2	-13.0	passed
peak	maxhold	100	4.63	-28.3	15.3	-13.0	passed
peak	maxhold	100	4.72	-27.7	14.7	-13.0	passed
peak	maxhold	100	4.79	-27.2	14.2	-13.0	passed
peak	maxhold	100	4.88	-27.9	14.9	-13.0	passed
peak	maxhold	100	5.04	-29.4	16.4	-13.0	passed
peak	maxhold	100	5.11	-30.7	17.7	-13.0	passed
peak	maxhold	100	5.18	-30.0	17.0	-13.0	passed
peak	maxhold	100	5.27	-30.3	17.3	-13.0	passed
peak	maxhold	100	5.44	-29.3	16.3	-13.0	passed
peak	maxhold	100	5.51	-28.8	15.8	-13.0	passed
peak	maxhold	100	5.60	-27.9	14.9	-13.0	passed
peak	maxhold	100	5.69	-27.5	14.5	-13.0	passed
peak	maxhold	100	5.76	-28.2	15.2	-13.0	passed
peak	maxhold	100	5.85	-28.8	15.8	-13.0	passed
peak	maxhold	100	5.92	-27.4	14.4	-13.0	passed
peak	maxhold	100	6.00	-27.1	14.1	-13.0	passed
peak	maxhold	100	6.09	-26.1	13.1	-13.0	passed
peak	maxhold	100	6.16	-26.4	13.4	-13.0	passed
peak	maxhold	100	6.25	-25.5	12.5	-13.0	passed
peak	maxhold	100	6.32	-25.7	12.7	-13.0	passed
peak	maxhold	100	6.41	-26.1	13.1	-13.0	passed
peak	maxhold	100	6.48	-24.5	11.5	-13.0	passed
peak	maxhold	100	6.56	-24.3	11.3	-13.0	passed
peak	maxhold	100	6.65	-24.8	11.8	-13.0	passed
peak	maxhold	100	6.74	-23.4	10.4	-13.0	passed
peak	maxhold	100	6.81	-23.3	10.3	-13.0	passed
peak	maxhold	100	6.90	-22.6	9.6	-13.0	passed
peak	maxhold	100	6.97	-22.7	9.7	-13.0	passed
peak	maxhold	100	7.04	-23.4	10.4	-13.0	passed
peak	maxhold	100	7.13	-23.2	10.2	-13.0	passed
peak	maxhold	100	7.22	-23.5	10.5	-13.0	passed
peak	maxhold	100	7.29	-22.2	9.2	-13.0	passed
peak	maxhold	100	7.37	-22.1	9.1	-13.0	passed
peak	maxhold	100	7.44	-21.1	8.1	-13.0	passed
peak	maxhold	100	7.53	-20.6	7.6	-13.0	passed
peak	maxhold	100	7.62	-20.7	7.7	-13.0	passed
peak	maxhold	100	7.69	-21.8	8.8	-13.0	passed
peak	maxhold	100	7.78	-21.0	8.0	-13.0	passed
peak	maxhold	100	7.87	-20.7	7.7	-13.0	passed
peak	maxhold	100	7.94	-21.2	8.2	-13.0	passed
peak	maxhold	100	8.03	-21.2	8.2	-13.0	passed
peak	maxhold	100	8.11	-22.1	9.1	-13.0	passed
peak	maxhold	100	8.20	-22.0	9.0	-13.0	passed
peak	maxhold	100	8.27	-23.7	10.7	-13.0	passed
peak	maxhold	100	8.36	-25.4	12.4	-13.0	passed
peak	maxhold	100	8.43	-24.5	11.5	-13.0	passed
peak	maxhold	100	8.52	-25.1	12.1	-13.0	passed

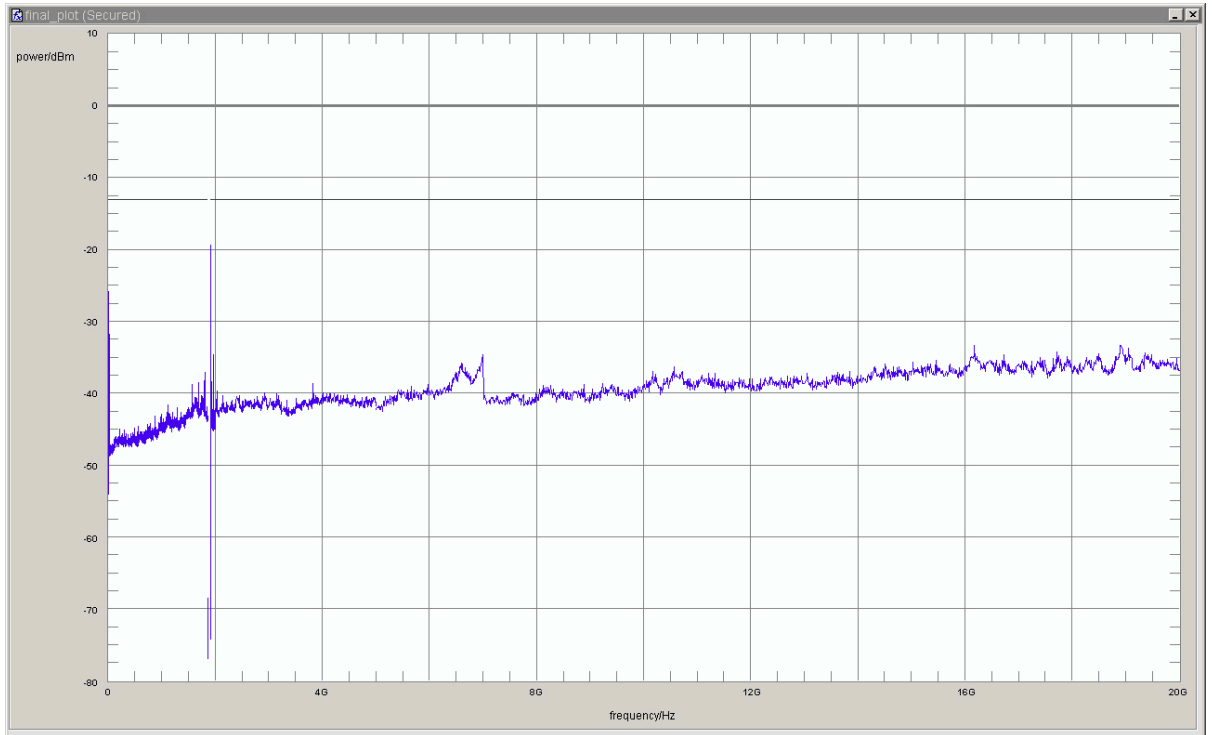


Reference: ODE_MJP_KYOCE_1101_FCCc
According to:
FCC 47 CFR Ch.1 Part 24, Subpart E

Test: 24.3; Frequency Band = 1900, Mode = GSM, Channel = 810, Frequency = 1909.8MHz

<i>Result:</i>	Passed
<i>Setup No.:</i>	S01_R02
<i>Date of Test:</i>	2011/10/11 11:26
<i>Body:</i>	FCC47CFRChIPART24PERSONAL COMMUNICATIONS SERVICES
<i>Test Specification:</i>	FCC part 2 and 24

Detailed Results:





detector	trace	resolution bandwidth /kHz	frequency /MHz	peak value /dBm	margin to limit /dB	limit /dBm	verdict
peak	maxhold	100	3.74	-32.2	19.2	-13.0	passed
peak	maxhold	100	4.79	-32.7	19.7	-13.0	passed
peak	maxhold	100	5.67	-32.8	19.8	-13.0	passed
peak	maxhold	100	5.83	-32.4	19.4	-13.0	passed
peak	maxhold	100	6.00	-32.5	19.5	-13.0	passed
peak	maxhold	100	6.09	-32.1	19.1	-13.0	passed
peak	maxhold	100	6.16	-31.7	18.7	-13.0	passed
peak	maxhold	100	6.25	-31.2	18.2	-13.0	passed
peak	maxhold	100	6.32	-31.2	18.2	-13.0	passed
peak	maxhold	100	6.39	-31.0	18.0	-13.0	passed
peak	maxhold	100	6.45	-31.9	18.9	-13.0	passed
peak	maxhold	100	6.56	-29.7	16.7	-13.0	passed
peak	maxhold	100	6.65	-30.5	17.5	-13.0	passed
peak	maxhold	100	6.72	-30.7	17.7	-13.0	passed
peak	maxhold	100	6.81	-29.0	16.0	-13.0	passed
peak	maxhold	100	6.88	-28.4	15.4	-13.0	passed
peak	maxhold	100	6.97	-29.3	16.3	-13.0	passed
peak	maxhold	100	7.04	-28.3	15.3	-13.0	passed
peak	maxhold	100	7.11	-29.2	16.2	-13.0	passed
peak	maxhold	100	7.20	-28.2	15.2	-13.0	passed
peak	maxhold	100	7.29	-27.2	14.2	-13.0	passed
peak	maxhold	100	7.37	-27.5	14.5	-13.0	passed
peak	maxhold	100	7.44	-27.9	14.9	-13.0	passed
peak	maxhold	100	7.53	-26.2	13.2	-13.0	passed
peak	maxhold	100	7.60	-25.8	12.8	-13.0	passed
peak	maxhold	100	7.69	-26.5	13.5	-13.0	passed
peak	maxhold	100	7.76	-28.9	15.9	-13.0	passed
peak	maxhold	100	7.87	-27.0	14.0	-13.0	passed
peak	maxhold	100	7.94	-26.4	13.4	-13.0	passed
peak	maxhold	100	8.02	-27.9	14.9	-13.0	passed
peak	maxhold	100	8.11	-26.9	13.9	-13.0	passed
peak	maxhold	100	8.18	-27.3	14.3	-13.0	passed
peak	maxhold	100	8.27	-28.1	15.1	-13.0	passed
peak	maxhold	100	8.34	-30.5	17.5	-13.0	passed
peak	maxhold	100	8.43	-30.1	17.1	-13.0	passed
peak	maxhold	100	8.50	-30.6	17.6	-13.0	passed
peak	maxhold	100	8.59	-32.1	19.1	-13.0	passed
peak	maxhold	100	8.67	-31.9	18.9	-13.0	passed
peak	maxhold	100	8.76	-31.8	18.8	-13.0	passed
peak	maxhold	100	8.85	-31.7	18.7	-13.0	passed
peak	maxhold	3	1910.0000	-25.9	12.9	-13.0	passed
peak	maxhold	3	1910.0220	-19.4	6.4	-13.0	passed
peak	maxhold	3	1910.0601	-31.1	18.1	-13.0	passed
peak	maxhold	3	1910.0721	-31.4	18.4	-13.0	passed

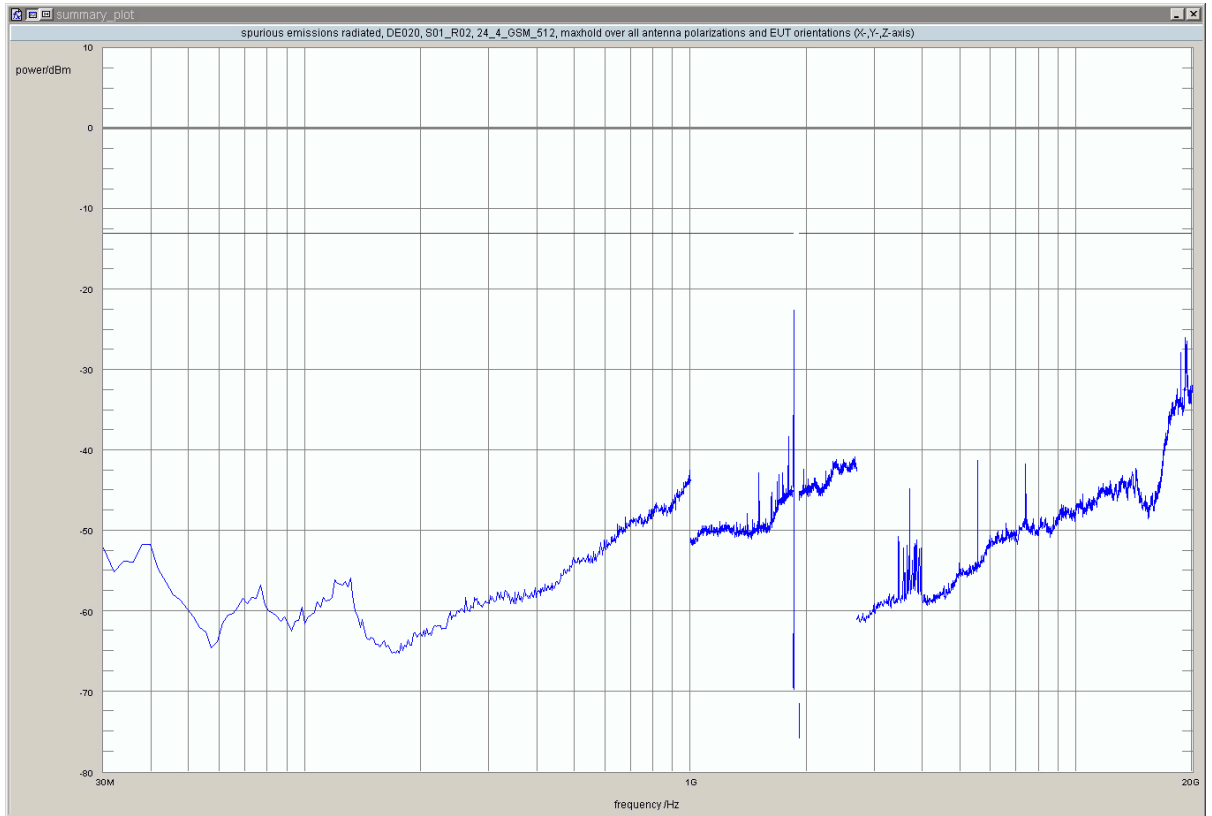
no further values have been found with a margin of less than 20 dB

3.5.4 24.4 Field strength of spurious radiation §2.1053, §24.238

Test: 24.4; Frequency Band = 1900, Mode = GSM, Channel = 512, Frequency = 1850.2MHz

<i>Result:</i>	Passed
<i>Setup No.:</i>	S01_R02
<i>Date of Test:</i>	2011/10/09 17:01
<i>Body:</i>	FCC47CFRChIPART24PERSONAL COMMUNICATIONS SERVICES
<i>Test Specification:</i>	FCC part 2 and 24

Detailed Results:



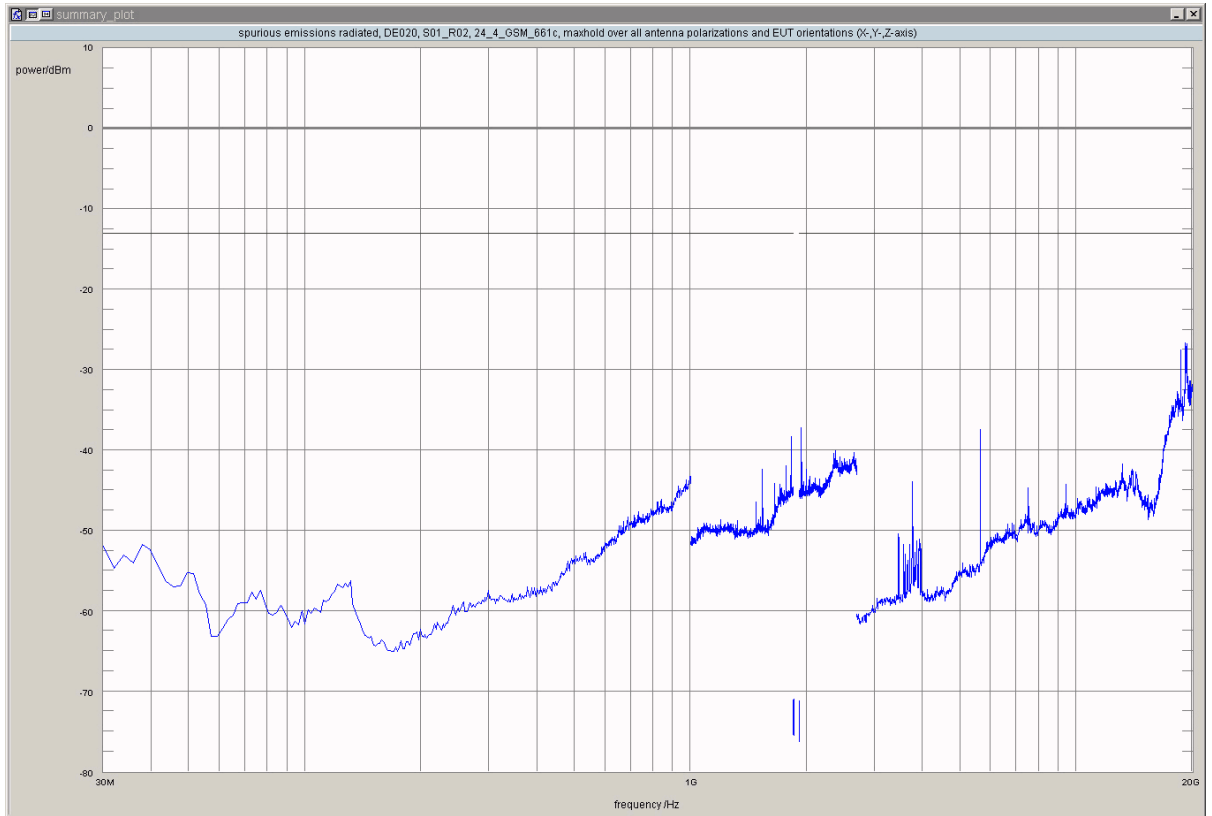
detector	trace	resolution bandwidth /kHz	frequency /MHz	peak value /dBm	limit /dBm	margin to limit /dB	azimuth /°	antenna polarization	EUT orientation	verdict
peak	maxhold	3	1849.9379	-30.41	-13.00	17.41	45.0	vertical	vertical	passed
peak	maxhold	3	1849.9459	-29.30	-13.00	16.30	-180.0	horizontal	horizontal	passed
peak	maxhold	3	1849.9539	-30.13	-13.00	17.13	-180.0	vertical	vertical	passed
peak	maxhold	3	1849.9800	-24.08	-13.00	11.08	-45.0	vertical	vertical	passed
peak	maxhold	3	1849.9980	-22.54	-13.00	9.54	-180.0	vertical	vertical	passed
peak	maxhold	1000	18653.3	-27.90	-13.00	14.90	-120.0	vertical	horizontal	passed
peak	maxhold	1000	19214.4	-26.02	-13.00	13.02	45.0	vertical	vertical	passed
peak	maxhold	1000	19312.6	-27.50	-13.00	14.50	120.0	horizontal	horizontal	passed
peak	maxhold	1000	19326.7	-26.43	-13.00	13.43	135.0	horizontal	vertical	passed
peak	maxhold	1000	19340.7	-26.62	-13.00	13.62	45.0	horizontal	vertical	passed

no further values have been found with a margin of less than 20 dB

Test1: 24.4; Frequency Band = 1900, Mode = GSM, Channel = 661, Frequency = 1880.0MHz

Result: Passed
 Setup No.: S01_R02
 Date of Test: 2011/10/10 5:11
 Body: FCC47CFRChIPART24PERSONAL COMMUNICATIONS SERVICES
 Test Specification: FCC part 2 and 24

Detailed Results:



detector	trace	resolution bandwidth /kHz	frequency /MHz	peak value /dBm	limit /dBm	margin to limit /dB	azimuth /°	antenna polarization	EUT orientation	verdict
peak	maxhold	1000	18653.3	-27.51	-13.00	14.51	60.0	vertical	horizontal	passed
peak	maxhold	1000	19214.4	-26.59	-13.00	13.59	45.0	vertical	vertical	passed
peak	maxhold	1000	19228.5	-27.25	-13.00	14.25	60.0	vertical	horizontal	passed
peak	maxhold	1000	19326.7	-26.76	-13.00	13.76	0.0	horizontal	vertical	passed

no further values have been found with a margin of less than 20 dB

Test2: 24.4; Frequency Band = 1900, Mode = GSM, Channel = 661, Frequency = 1880.0MHZ

Result: Passed
 Peak seem over the limit line is Bluetooth primary signal and not a failure.

Setup No.: S01_R02

Date of Test: 2011/11/14 16:04

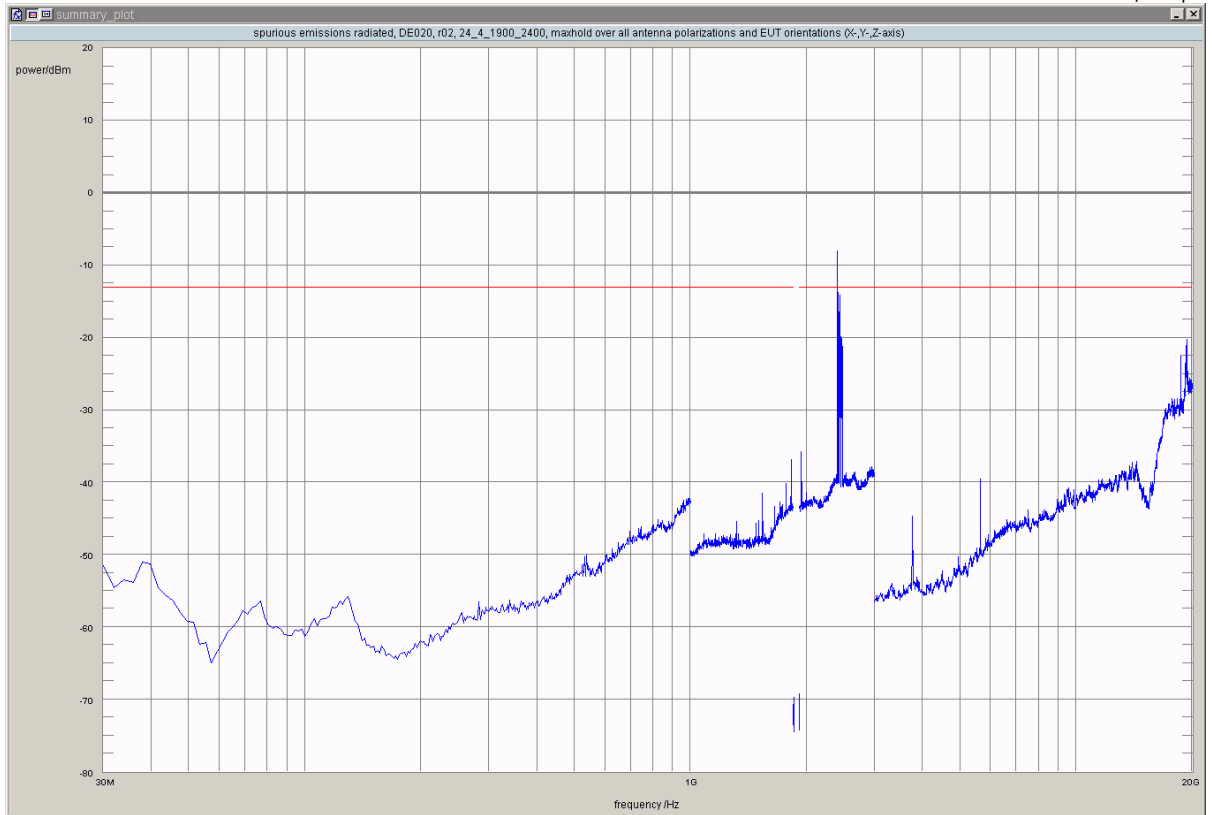
Body: FCC47CFRChIPART24PERSONAL COMMUNICATIONS SERVICES

Test Specification: FCC part 2 and 24

Detailed Results:

detector	trace	resolution bandwidth /kHz	frequency /MHz	peak value /dBm	limit /dBm	margin to limit /dB	azimuth /°	antenna polarization	EUT orientation	verdict
peak	maxhold	1000	2402.0	-22.74	-13.00	9.74	0.0	horizontal	horizontal	passed
peak	maxhold	1000	2404.2	-7.94	-13.00	-5.06	120.0	horizontal	horizontal	failed
peak	maxhold	1000	2406.4	-28.45	-13.00	15.45	-60.0	horizontal	horizontal	passed
peak	maxhold	1000	2408.6	-32.45	-13.00	19.45	-45.0	horizontal	vertical	passed
peak	maxhold	1000	2410.8	-19.68	-13.00	6.68	135.0	horizontal	vertical	passed
peak	maxhold	1000	2412.9	-14.56	-13.00	1.56	-135.0	vertical	vertical	passed
peak	maxhold	1000	2419.5	-13.75	-13.00	0.75	-180.0	vertical	vertical	passed
peak	maxhold	1000	2421.7	-31.92	-13.00	18.92	-120.0	vertical	horizontal	passed
peak	maxhold	1000	2426.0	-17.61	-13.00	4.61	-180.0	horizontal	horizontal	passed
peak	maxhold	1000	2428.2	-16.38	-13.00	3.38	135.0	vertical	vertical	passed
peak	maxhold	1000	2430.4	-30.54	-13.00	17.54	-180.0	vertical	horizontal	passed
peak	maxhold	1000	2432.6	-26.96	-13.00	13.96	-60.0	vertical	horizontal	passed
peak	maxhold	1000	2434.8	-14.10	-13.00	1.10	-180.0	horizontal	horizontal	passed
peak	maxhold	1000	2436.9	-20.28	-13.00	7.28	60.0	vertical	horizontal	passed
peak	maxhold	1000	2439.1	-30.98	-13.00	17.98	90.0	horizontal	vertical	passed
peak	maxhold	1000	2441.3	-18.64	-13.00	5.64	-180.0	vertical	horizontal	passed
peak	maxhold	1000	2443.5	-27.43	-13.00	14.43	-120.0	horizontal	horizontal	passed
peak	maxhold	1000	2445.7	-19.83	-13.00	6.83	-120.0	vertical	horizontal	passed
peak	maxhold	1000	2447.9	-32.13	-13.00	19.13	-180.0	vertical	horizontal	passed
peak	maxhold	1000	2450.0	-23.08	-13.00	10.08	135.0	horizontal	vertical	passed
peak	maxhold	1000	2452.2	-24.84	-13.00	11.84	0.0	vertical	vertical	passed
peak	maxhold	1000	2458.8	-21.66	-13.00	8.66	-45.0	horizontal	vertical	passed
peak	maxhold	1000	2461.0	-21.87	-13.00	8.87	45.0	horizontal	vertical	passed
peak	maxhold	1000	2463.1	-26.32	-13.00	13.32	45.0	vertical	vertical	passed
peak	maxhold	1000	2465.3	-21.50	-13.00	8.50	-120.0	vertical	horizontal	passed
peak	maxhold	1000	2467.5	-20.08	-13.00	7.08	-180.0	horizontal	vertical	passed
peak	maxhold	1000	2471.9	-23.89	-13.00	10.89	120.0	horizontal	horizontal	passed
peak	maxhold	1000	2474.1	-21.21	-13.00	8.21	-60.0	horizontal	horizontal	passed
peak	maxhold	1000	2476.2	-24.70	-13.00	11.70	-180.0	vertical	horizontal	passed
peak	maxhold	1000	2480.6	-23.11	-13.00	10.11	45.0	horizontal	vertical	passed
peak	maxhold	1000	18653.3	-22.44	-13.00	9.44	120.0	vertical	horizontal	passed
peak	maxhold	1000	19312.6	-21.90	-13.00	8.90	120.0	vertical	horizontal	passed
peak	maxhold	1000	19326.7	-20.21	-13.00	7.21	45.0	vertical	vertical	passed
peak	maxhold	1000	19340.7	-21.14	-13.00	8.14	135.0	horizontal	vertical	passed

no further values have been found with a margin of less than 20 dB



Test3: 24.4; Frequency Band = 1900, Mode = GSM, Channel = 661, Frequency = 1880.0MHz

Result: Passed
 Peak seen over limit is primary WLAN signal and not a failure.

Setup No.: S01_R02

Date of Test: 2011/11/14 16:08

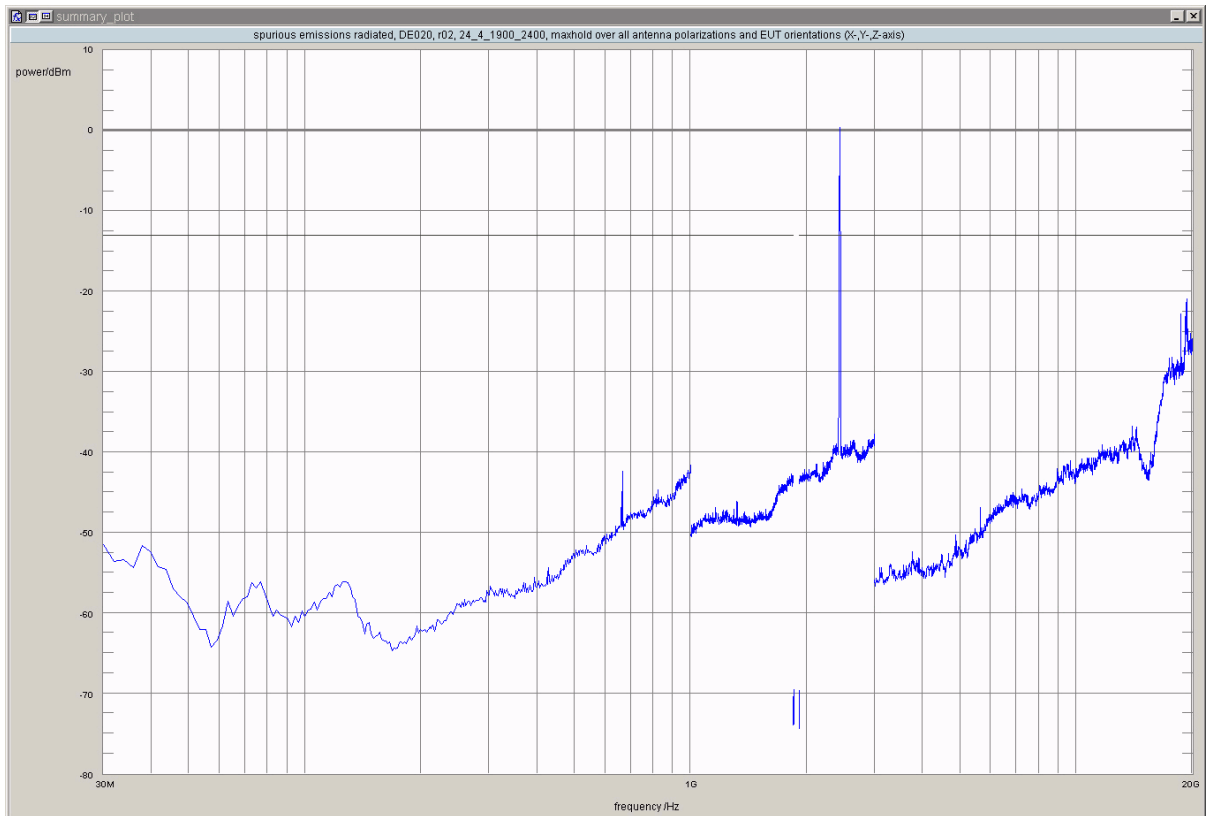
Body: FCC47CFRChIPART24PERSONAL COMMUNICATIONS SERVICES

Test Specification: FCC part 2 and 24

Detailed Results:

detector	trace	resolution bandwidth /kHz	frequency /MHz	peak value /dBm	limit /dBm	margin to limit /dB	azimuth /°	antenna polarization	EUT orientation	verdict
peak	maxhold	1000	2428.2	-26.02	-13.00	13.02	135.0	horizontal	vertical	passed
peak	maxhold	1000	2432.6	-7.83	-13.00	-5.17	-90.0	horizontal	vertical	failed
peak	maxhold	1000	2434.8	-4.57	-13.00	-8.43	-120.0	horizontal	horizontal	failed
peak	maxhold	1000	2436.9	0.39	-13.00	-13.39	120.0	horizontal	horizontal	failed
peak	maxhold	1000	2439.1	-2.95	-13.00	-10.05	-135.0	vertical	vertical	failed
peak	maxhold	1000	2441.3	-14.36	-13.00	1.36	90.0	vertical	vertical	passed
peak	maxhold	1000	2443.5	-25.49	-13.00	12.49	120.0	vertical	horizontal	passed
peak	maxhold	1000	18653.3	-22.79	-13.00	9.79	-135.0	horizontal	vertical	passed
peak	maxhold	1000	19312.6	-22.08	-13.00	9.08	0.0	vertical	horizontal	passed
peak	maxhold	1000	19326.7	-20.87	-13.00	7.87	120.0	vertical	horizontal	passed

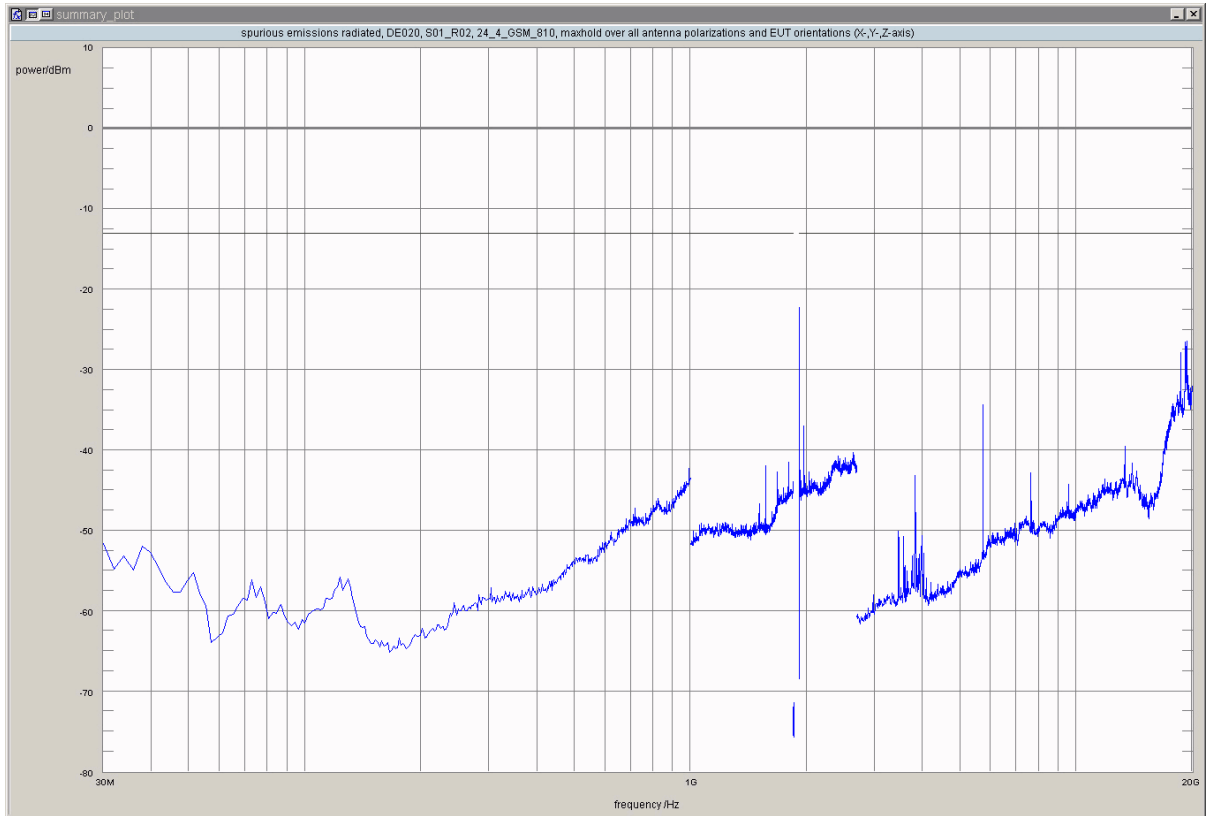
no further values have been found with a margin of less than 20 dB



Test: 24.4; Frequency Band = 1900, Mode = GSM, Channel = 810, Frequency = 1909.8MHz

Result: Passed
 Setup No.: S01_R02
 Date of Test: 2011/10/10 7:00
 Body: FCC47CFRChIPART24PERSONAL COMMUNICATIONS SERVICES
 Test Specification: FCC part 2 and 24

Detailed Results:



detector	trace	resolution bandwidth /kHz	frequency /MHz	peak value /dBm	limit /dBm	margin to limit /dB	azimuth /°	antenna polarization	EUT orientation	verdict
peak	maxhold	3	1910.0100	-26.48	-13.00	13.48	90.0	vertical	vertical	passed
peak	maxhold	3	1910.0180	-22.20	-13.00	9.20	-180.0	horizontal	horizontal	passed
peak	maxhold	3	1910.0361	-24.56	-13.00	11.56	-180.0	vertical	vertical	passed
peak	maxhold	3	1910.0481	-27.26	-13.00	14.26	-180.0	horizontal	horizontal	passed
peak	maxhold	3	1910.0601	-32.59	-13.00	19.59	-135.0	vertical	vertical	passed
peak	maxhold	3	1910.0641	-31.10	-13.00	18.10	-180.0	horizontal	horizontal	passed
peak	maxhold	3	1910.0701	-32.11	-13.00	19.11	-45.0	vertical	vertical	passed
peak	maxhold	3	1910.0762	-32.39	-13.00	19.39	-180.0	horizontal	horizontal	passed
peak	maxhold	1000	18653.3	-27.84	-13.00	14.84	-180.0	horizontal	horizontal	passed
peak	maxhold	1000	19214.4	-26.49	-13.00	13.49	-135.0	vertical	vertical	passed
peak	maxhold	1000	19228.5	-27.99	-13.00	14.99	0.0	vertical	horizontal	passed
peak	maxhold	1000	19326.7	-26.38	-13.00	13.38	0.0	horizontal	horizontal	passed
peak	maxhold	1000	19340.7	-27.62	-13.00	14.62	-180.0	horizontal	vertical	passed

no further values have been found with a margin of less than 20 dB



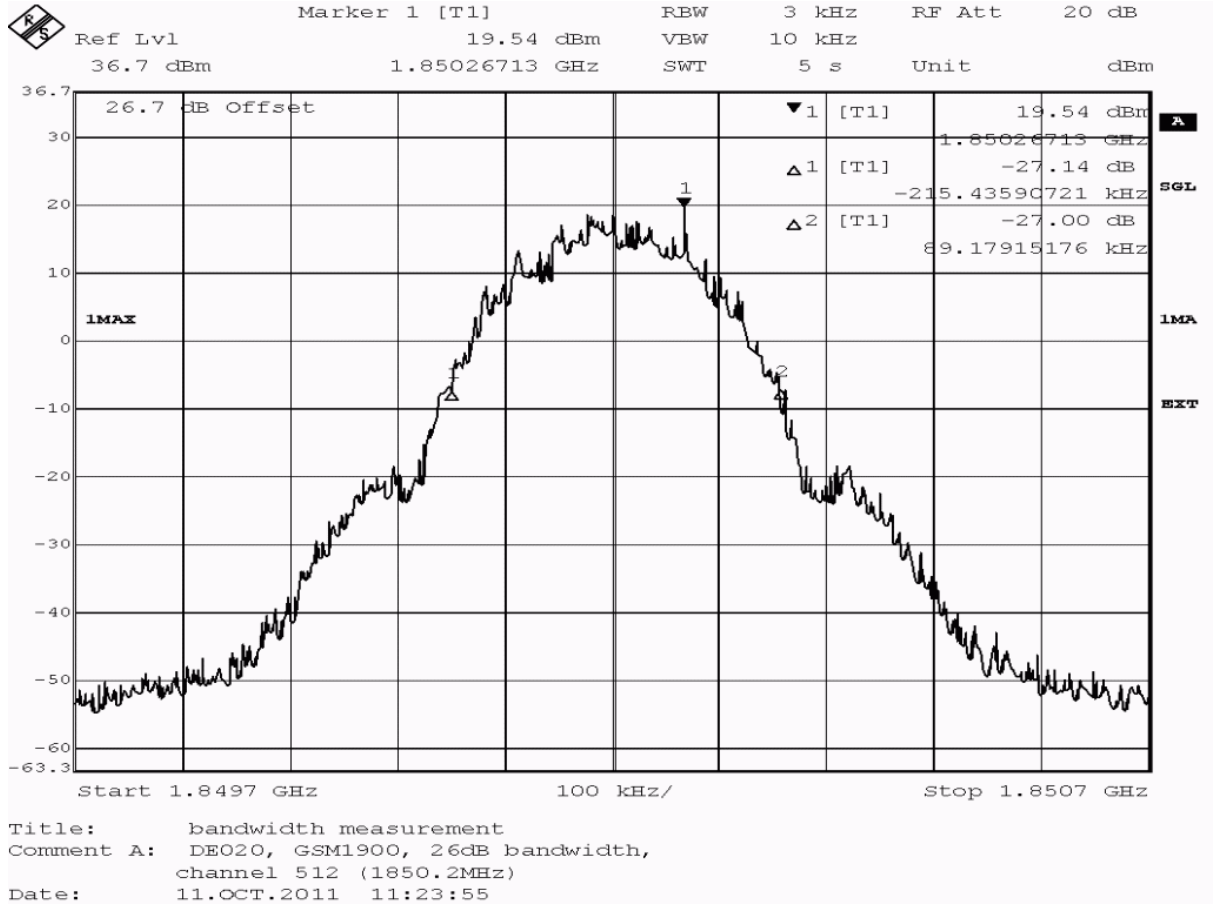
Reference: ODE_MJP_KYOCE_1101_FCCc
According to:
FCC 47 CFR Ch.1 Part 24, Subpart E

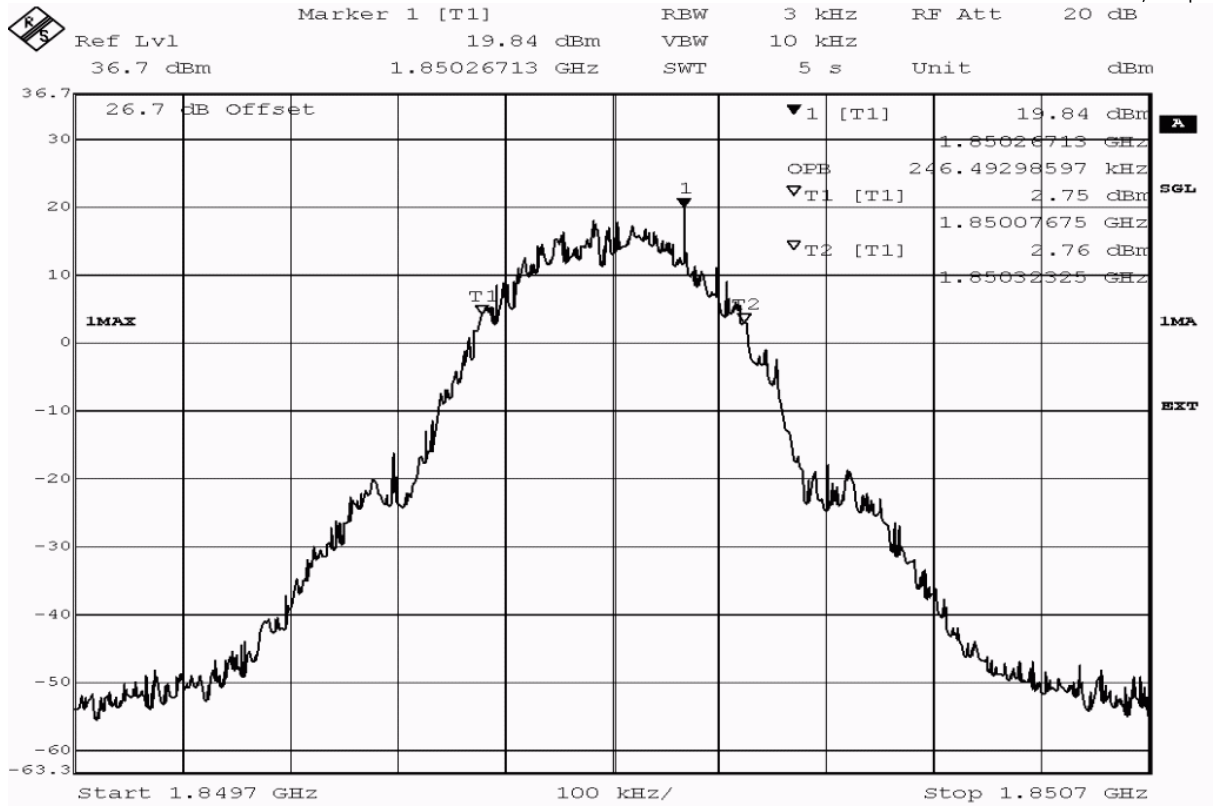
3.5.5 24.5 Emission and Occupied Bandwidth §2.1049, §24.238

Test: 24.5; Frequency Band = 1900, Mode = GSM, Channel = 512, Frequency = 1850.2MHz

<i>Result:</i>	Passed
<i>Setup No.:</i>	S01_R02
<i>Date of Test:</i>	2011/10/11 11:20
<i>Body:</i>	FCC47CFRChIPART24PERSONAL COMMUNICATIONS SERVICES
<i>Test Specification:</i>	FCC part 2 and 24

Detailed Results:





Title: bandwidth measurement
 Comment A: DE020, GSM1900, occupied bandwidth (99%),
 channel 512 (1850.2MHz)
 Date: 11.OCT.2011 11:24:13

detector	trace	resolution bandwidth /kHz	type of measurement	measured value /kHz	verdict
peak	maxhold	3	-26dB bandwidth	304.6	passed
peak	maxhold	3	99% bandwidth	246.5	passed

Test: 24.5; Frequency Band = 1900, Mode = GSM, Channel = 661, Frequency = 1880.0MHz

Result: Passed

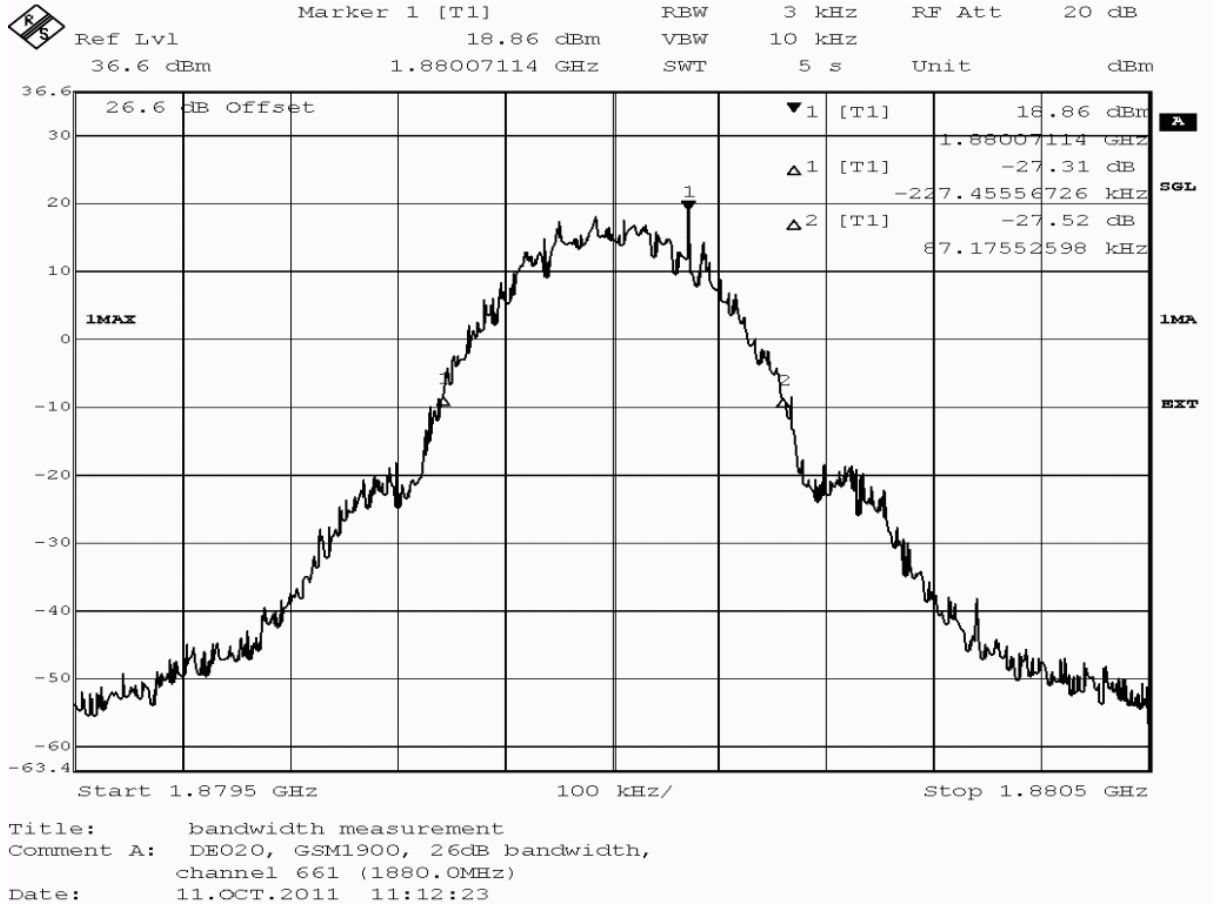
Setup No.: S01_R02

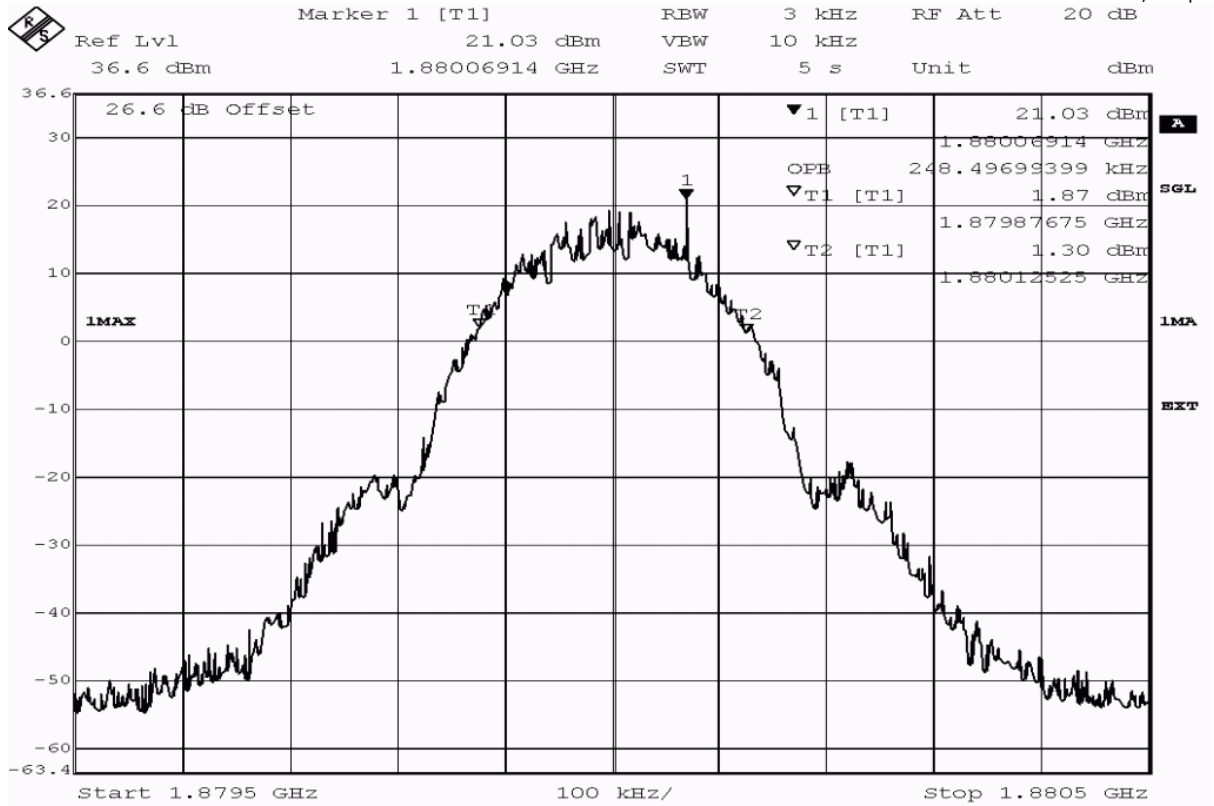
Date of Test: 2011/10/11 11:08

Body: FCC47CFRChIPART24PERSONAL COMMUNICATIONS SERVICES

Test Specification: FCC part 2 and 24

Detailed Results:





Title: bandwidth measurement
 Comment A: DE020, GSM1900, occupied bandwidth (99%),
 channel 661 (1880.0MHz)
 Date: 11.OCT.2011 11:12:42

detector	trace	resolution bandwidth /kHz	type of measurement	measured value /kHz	verdict
peak	maxhold	3	-26dB bandwidth	314.6	passed
peak	maxhold	3	99% bandwidth	248.5	passed

Test: 24.5; Frequency Band = 1900, Mode = GSM, Channel = 810, Frequency = 1909.8MHz

Result: Passed

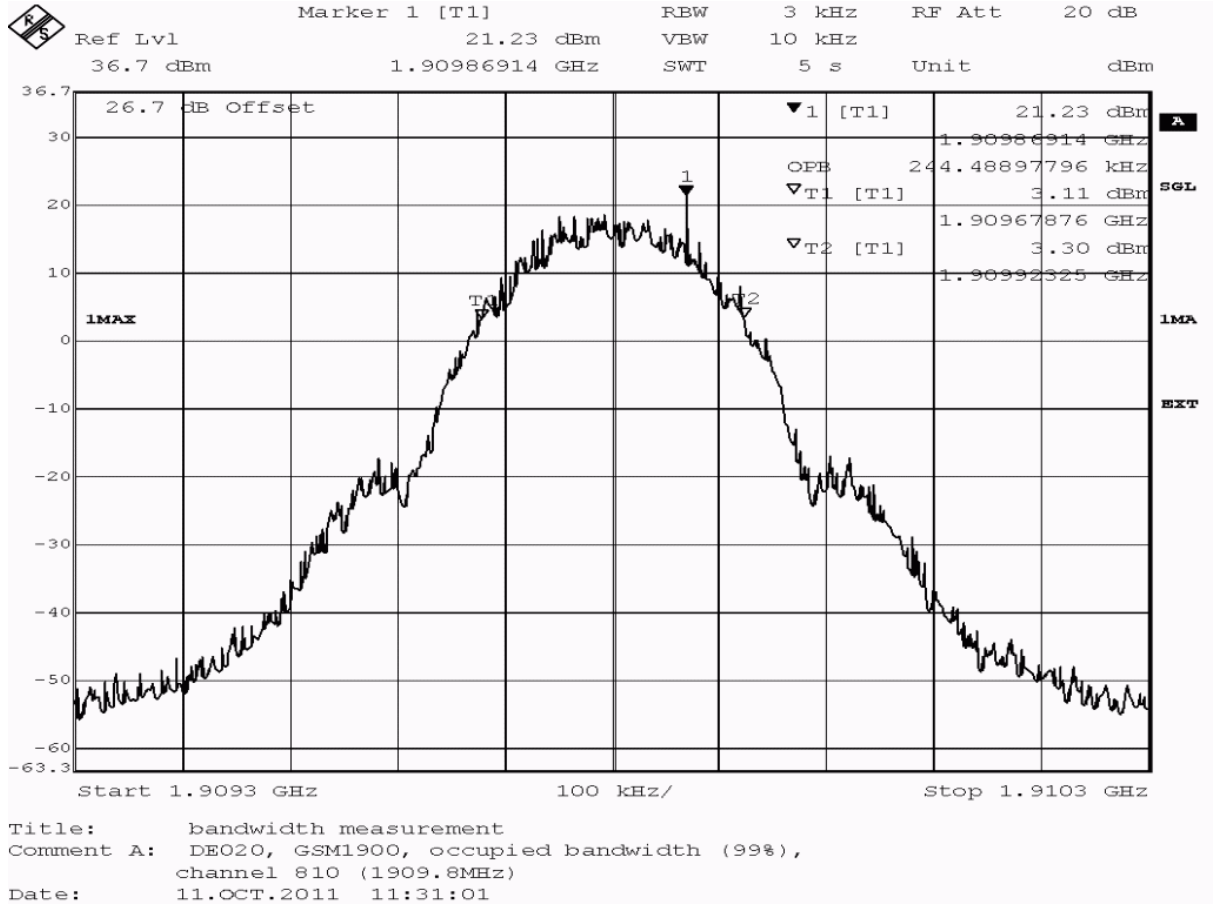
Setup No.: S01_R02

Date of Test: 2011/10/11 11:27

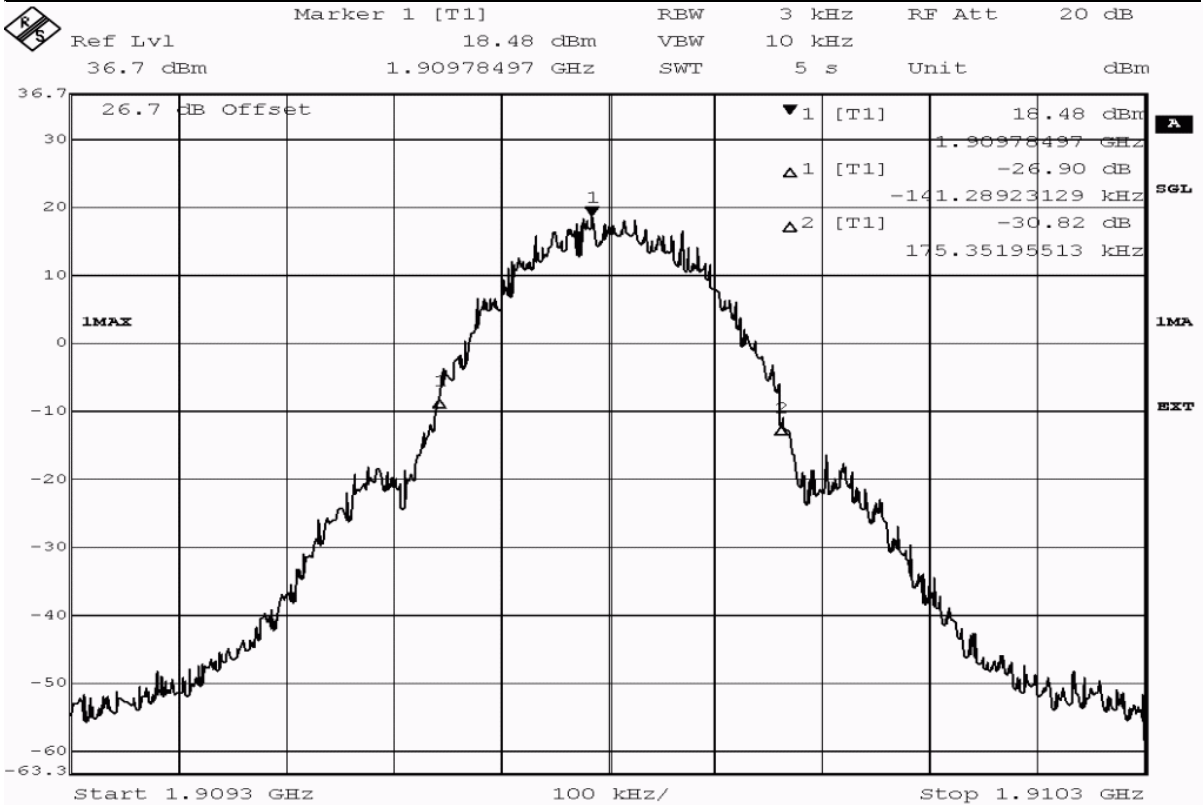
Body: FCC47CFRChIPART24PERSONAL COMMUNICATIONS SERVICES

Test Specification: FCC part 2 and 24

Detailed Results:



detector	trace	resolution bandwidth /kHz	type of measurement	measured value /kHz	verdict
peak	maxhold	3	-26dB bandwidth	316.6	passed
peak	maxhold	3	99% bandwidth	244.5	passed



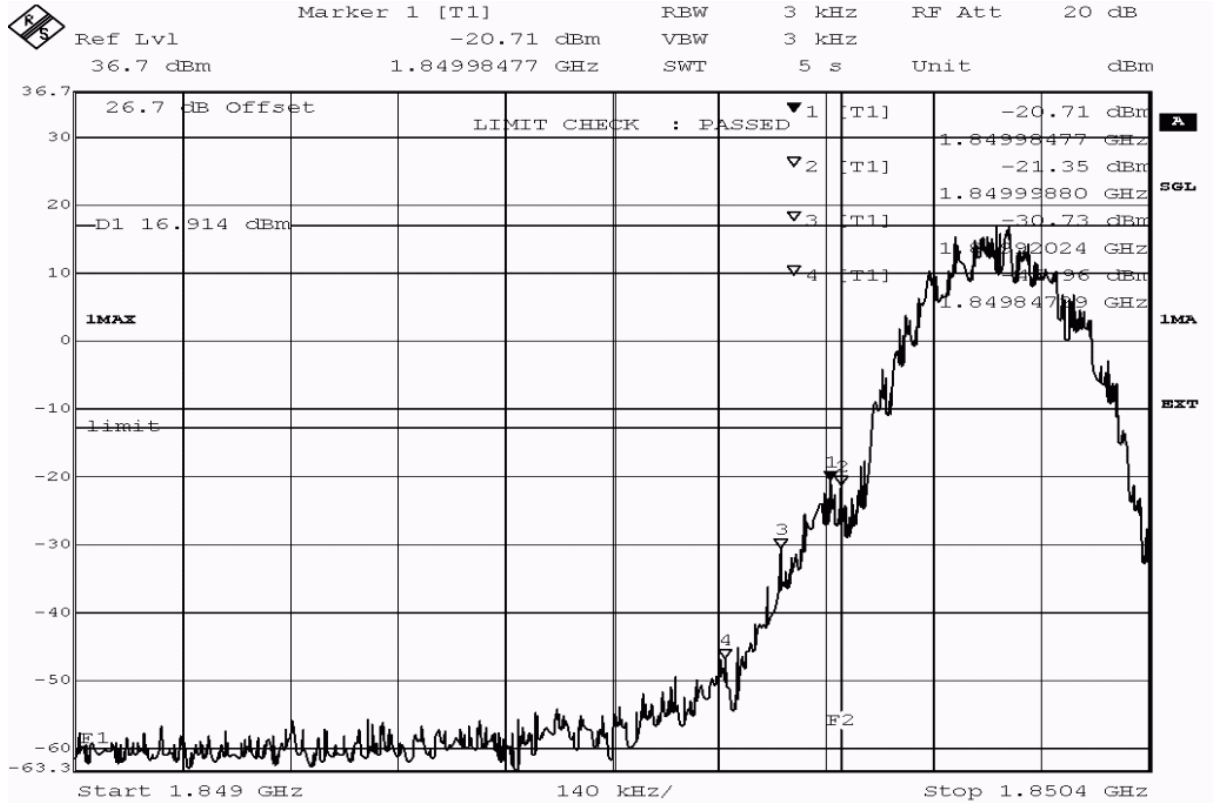
Title: bandwidth measurement
 Comment A: DE020, GSM1900, 26dB bandwidth, channel 810 (1909.8MHz)
 Date: 11.OCT.2011 11:30:42

3.5.6 24.6 Band edge compliance §2.1053, §24.238

Test: 24.6; Frequency Band = 1900, Mode = GSM, Channel = 512, Frequency = 1850.2MHz

<i>Result:</i>	Passed
<i>Setup No.:</i>	S01_R02
<i>Date of Test:</i>	2011/10/11 11:21
<i>Body:</i>	FCC47CFRChIPART24PERSONAL COMMUNICATIONS SERVICES
<i>Test Specification:</i>	FCC part 2 and 24

Detailed Results:



Title: band edge compliance measurement
 Comment A: DE020, GSM1900, band edge compliance,
 channel 512 (1850.2MHz)
 Date: 11.OCT.2011 11:24:43



Reference: ODE_MJP_KYOCE_1101_FCCc

According to:

FCC 47 CFR Ch.1 Part 24, Subpart E

detector	trace	resolution bandwidth /kHz	frequency /MHz	peak value /dBm	margin to limit /dB	limit /dBm	verdict
peak	maxhold	3	1849.920	-30.73	17.73	-13.0	passed
peak	maxhold	3	1849.985	-20.71	7.71	-13.0	passed
peak	maxhold	3	1849.999	-21.35	8.35	-13.0	passed
average	maxhold	3	1849.976	-26.20	13.20	-13.0	passed

no further values have been found by test instrument with a margin of less than 20 dB

Test: 24.6; Frequency Band = 1900, Mode = GSM, Channel = 810, Frequency = 1909.8MHz

Result: Passed

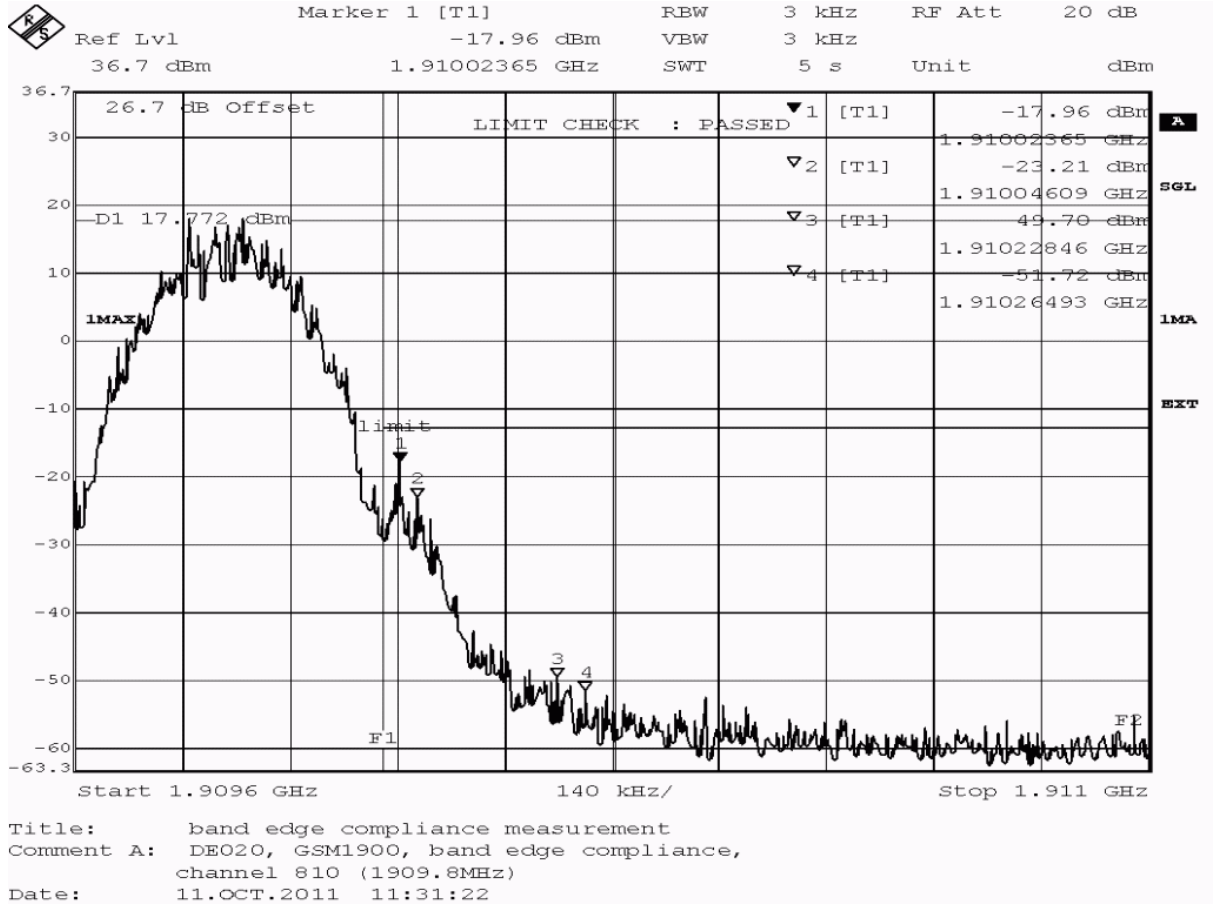
Setup No.: S01_R02

Date of Test: 2011/10/11 11:27

Body: FCC47CFRChIPART24PERSONAL COMMUNICATIONS SERVICES

Test Specification: FCC part 2 and 24

Detailed Results:



detector	trace	resolution bandwidth /kHz	frequency /MHz	peak value /dBm	margin to limit /dB	limit /dBm	verdict
peak	maxhold	3	1910.024	-17.96	4.96	-13.0	passed
peak	maxhold	3	1910.046	-23.21	10.21	-13.0	passed
average	maxhold	3	1910.021	-26.20	13.20	-13.0	passed

no further values have been found by test instrument with a margin of less than 20 dB

4 Test Equipment Details

4.1 List of Used Test Equipment

The calibration, hardware and software states are shown for the testing period.

Test Equipment Anechoic Chamber

Lab ID:	Lab 1
<i>Manufacturer:</i>	Frankonia
<i>Description:</i>	Anechoic Chamber for radiated testing
<i>Type:</i>	10.58x6.38x6 m ³

Single Devices for Anechoic Chamber

<i>Single Device Name</i>	<i>Type</i>	<i>Serial Number</i>	<i>Manufacturer</i>	
Air compressor	none	-	Atlas Copco	
Anechoic Chamber	10.58 x 6.38 x 6.00 m ³	none	Frankonia	
	<i>Calibration Details</i>		<i>Last Execution</i>	<i>Next Exec.</i>
	FCC listing 96716 3m Part15/18		2011/01/11	2014/01/10
	IC listing 3699A-1 3m		2011/02/07	2014/02/06
Controller Maturo	MCU	961208	Maturo GmbH	
EMC camera	CE-CAM/1	-	CE-SYS	
EMC camera Nr.2	CCD-400E	0005033	Mitsubishi	
Filter ISDN	B84312-C110-E1		Siemens&Matsushita	
Filter Universal 1A	BB4312-C30-H3	-	Siemens&Matsushita	

Test Equipment Auxiliary Equipment for Radiated emissions

Lab ID:	Lab 1
<i>Description:</i>	Equipment for emission measurements
<i>Serial Number:</i>	see single devices

Single Devices for Auxiliary Equipment for Radiated emissions

<i>Single Device Name</i>	<i>Type</i>	<i>Serial Number</i>	<i>Manufacturer</i>	
Antenna mast	AS 620 P	620/37	HD GmbH	
Biconical dipole	VUBA 9117	9117-108	Schwarzbeck	
	<i>Calibration Details</i>		<i>Last Execution</i>	<i>Next Exec.</i>
	Standard Calibration		2008/10/27	2013/10/26
Broadband Amplifier 18MHz-26GHz	JS4-18002600-32-5P	849785	Miteq	
	<i>Calibration Details</i>		<i>Last Execution</i>	<i>Next Exec.</i>
	Path Calibration		2011/05/11	2011/11/10
Broadband Amplifier 1GHz-4GHz	AFS4-01000400-1Q-10P-4	-	Miteq	
	<i>Calibration Details</i>		<i>Last Execution</i>	<i>Next Exec.</i>
	Path Calibration		2011/05/11	2011/11/10
Broadband Amplifier 30MHz-18GHz	JS4-00101800-35-5P	896037	Miteq	
	<i>Calibration Details</i>		<i>Last Execution</i>	<i>Next Exec.</i>
	Path Calibration		2011/05/11	2011/11/10
Cable "ESI to EMI Antenna"	EcoFlex10	W18.01- 2+W38.01-2	Kabel Kusch	
	<i>Calibration Details</i>		<i>Last Execution</i>	<i>Next Exec.</i>

Single Devices for Auxiliary Equipment for Radiated emissions (continued)

<i>Single Device Name</i>	<i>Type</i>	<i>Serial Number</i>	<i>Manufacturer</i>	
	Path Calibration		2011/05/11	2011/11/10
Cable "ESI to Horn Antenna"	UFB311A+UFB293C	W18.02-2+W38.02-2	Rosenberger Micro-Coax	
	<i>Calibration Details</i>		<i>Last Execution</i>	<i>Next Exec.</i>
	Path Calibration		2011/05/11	2011/11/10
Double-ridged horn	HF 906	357357/001	Rohde & Schwarz GmbH & Co. KG	
	<i>Calibration Details</i>		<i>Last Execution</i>	<i>Next Exec.</i>
	Standard Calibration		2009/04/16	2012/04/15
Double-ridged horn	HF 906	357357/002	Rohde & Schwarz GmbH & Co. KG	
	<i>Calibration Details</i>		<i>Last Execution</i>	<i>Next Exec.</i>
	Standard Calibration		2009/04/28	2012/04/27
High Pass Filter	4HC1600/12750-1.5-KK	9942011	Trilithic	
	<i>Calibration Details</i>		<i>Last Execution</i>	<i>Next Exec.</i>
	Path Calibration		2011/05/11	2011/11/10
High Pass Filter	5HC2700/12750-1.5-KK	9942012	Trilithic	
	<i>Calibration Details</i>		<i>Last Execution</i>	<i>Next Exec.</i>
	Path Calibration		2011/05/11	2011/11/10
High Pass Filter	5HC3500/12750-1.2-KK	200035008	Trilithic	
	<i>Calibration Details</i>		<i>Last Execution</i>	<i>Next Exec.</i>
	Path Calibration		2011/05/11	2011/11/10
High Pass Filter	WHKX 7.0/18G-8SS	09	Wainwright	
	<i>Calibration Details</i>		<i>Last Execution</i>	<i>Next Exec.</i>
	Path Calibration		2011/05/11	2011/11/10
Log.-per. Antenna	HL 562 Ultralog	830547/003	Rohde & Schwarz GmbH & Co. KG	
	<i>Calibration Details</i>		<i>Last Execution</i>	<i>Next Exec.</i>
	Standard Calibration		2009/05/27	2012/05/26
Loop Antenna	HFH2-Z2	829324/006	Rohde & Schwarz GmbH & Co. KG	
Network Analyzer	E5071B	MY42200813	Agilent	
	<i>Calibration Details</i>		<i>Last Execution</i>	<i>Next Exec.</i>
	Standard Calibration		2010/11/09	2011/11/09
Pyramidal Horn Antenna 26,5 GHz	3160-09	00083069	EMCO Elektronik GmbH	
Pyramidal Horn Antenna 40 GHz	3160-10	00086675	EMCO Elektronik GmbH	
Tilt device Maturo (Rohacell)	Antrieb TD1.5-10kg	TD1.5-10kg/024/3790709	Maturo GmbH	

Test Equipment Auxiliary Test Equipment

Lab ID: **Lab 1, Lab 2**
Manufacturer: see single devices
Description: Single Devices for various Test Equipment
Type: various
Serial Number: none

Single Devices for Auxiliary Test Equipment

<i>Single Device Name</i>	<i>Type</i>	<i>Serial Number</i>	<i>Manufacturer</i>
AC Power Source	Chroma 6404	64040001304	Chroma ATE INC.
Broadband Power Divider N (Aux)	1506A / 93459	LM390	Weinschel Associates
Broadband Power Divider SMA	WA1515	A855	Weinschel Associates
Digital Multimeter 03 (Multimeter)	Fluke 177	86670383	Fluke Europe B.V.
	Customized calibration		2011/10/19 2013/10/18
Fibre optic link Satellite (Aux)	FO RS232 Link	181-018	Pontis
Fibre optic link Transceiver (Aux)	FO RS232 Link	182-018	Pontis
Isolating Transformer	LTS 604	1888	Thalheimer Transformatorwerke GmbH
Notch Filter Ultra Stable (Aux)	WRCA800/960-6EEK	24	Wainwright
Vector Signal Generator	SMIQ 03B	832492/061	Rohde & Schwarz GmbH & Co.KG

Test Equipment Digital Signalling Devices

Lab ID: Lab 1, Lab 2
Description: Signalling equipment for various wireless technologies.

Single Devices for Digital Signalling Devices

Single Device Name	Type	Serial Number	Manufacturer	
Bluetooth Signalling Unit CBT	CBT	100589	Rohde & Schwarz GmbH & Co. KG	
Universal Radio Communication Tester	CMU 200	102366	Rohde & Schwarz GmbH & Co. KG	
	<i>HW/SW Status</i>		<i>Date of Start</i>	<i>Date of End</i>
Hardware:		2007/07/16		
B11, B21V14, B21-2, B41, B52V14, B52-2, B53-2, B56V14, B68 3v04, PCMCIA, U65V04				
Software:				
K21 4v21, K22 4v21, K23 4v21, K24 4v21, K42 4v21, K43 4v21, K53 4v21, K56 4v22, K57 4v22, K58 4v22, K59 4v22, K61 4v22, K62 4v22, K63 4v22, K64 4v22, K65 4v22, K66 4v22, K67 4v22, K68 4v22, K69 4v22				
Firmware:				
µP1 8v50 02.05.06				

Universal Radio Communication Tester	CMU 200	837983/052	Rohde & Schwarz GmbH & Co. KG	
	<i>Calibration Details</i>		<i>Last Execution</i>	<i>Next Exec.</i>
Standard calibration		2008/12/01	2011/11/30	
<i>HW/SW Status</i>		<i>Date of Start</i>	<i>Date of End</i>	
HW options:		2007/01/02		
B11, B21V14, B21-2, B41, B52V14, B52-2, B53-2, B54V14, B56V14, B68 3v04, B95, PCMCIA, U65V02				
SW options:				
K21 4v11, K22 4v11, K23 4v11, K24 4v11, K27 4v10, K28 4v10, K42 4v11, K43 4v11, K53 4v10, K65 4v10, K66 4v10, K68 4v10,				
Firmware:				
µP1 8v40 01.12.05				

SW:		2008/11/03		
K62, K69				

Test Equipment Emission measurement devices

Lab ID: **Lab 1**
Description: Equipment for emission measurements
Serial Number: see single devices

Single Devices for Emission measurement devices

<i>Single Device Name</i>	<i>Type</i>	<i>Serial Number</i>	<i>Manufacturer</i>	
Personal Computer	Dell	30304832059	Dell	
Power Sensor	NRV-Z1	836219/005	Rohde & Schwarz GmbH & Co. KG	
	<i>Calibration Details</i>		<i>Last Execution</i>	<i>Next Exec.</i>
	Standard Calibration		2009/10/20	2011/10/19
Powermeter	NRVS	836333/064	Rohde & Schwarz GmbH & Co. KG	
	<i>Calibration Details</i>		<i>Last Execution</i>	<i>Next Exec.</i>
	Standard calibration		2009/10/15	2011/10/14
Signal Generator	SMR 20	846834/008	Rohde & Schwarz GmbH & Co. KG	
Spectrum Analyzer	ESIB 26	830482/004	Rohde & Schwarz GmbH & Co. KG	
	<i>Calibration Details</i>		<i>Last Execution</i>	<i>Next Exec.</i>
	Standard Calibration		2009/12/03	2011/12/02

Test Equipment Radio Lab Test Equipment

Lab ID: Lab 2
Description: Radio Lab Test Equipment

Single Devices for Radio Lab Test Equipment

Single Device Name	Type	Serial Number	Manufacturer
Broadband Power Divider SMA	WA1515	A856	Weinschel Associates
Coax Attenuator 10dB SMA 2W	4T-10	F9401	Weinschel Associates
Coax Attenuator 10dB SMA 2W	56-10	W3702	Weinschel Associates
Coax Attenuator 10dB SMA 2W	56-10	W3711	Weinschel Associates
Coax Cable Huber&Suhner	Sucotest 2,0m		Rosenberger Micro-Coax
Coax Cable Rosenberger Micro Coax FA210A0010003030 SMA/SMA 1,0m	FA210A0010003030	54491-2	Rosenberger Micro-Coax
Power Sensor	NRV-Z1	836219/005	Rohde & Schwarz GmbH & Co. KG
	<i>Calibration Details</i>		<i>Last Execution</i> <i>Next Exec.</i>
	Standard Calibration		2009/10/20 2011/10/19
Powermeter	NRVS	836333/064	Rohde & Schwarz GmbH & Co. KG
	<i>Calibration Details</i>		<i>Last Execution</i> <i>Next Exec.</i>
	Standard calibration		2009/10/15 2011/10/14
RF Step Attenuator RSP	RSP	833695/001	Rohde & Schwarz GmbH & Co.KG
Rubidium Frequency Standard	Datum, Model: MFL	2689/001	Datum-Beverly
Signal Generator	SMY02	829309/018	Rohde & Schwarz GmbH & Co. KG
	Standard calibration		2011/11/04 2014/11/03
Signal Generator SMP	SMP02	836402/008	Rohde & Schwarz GmbH & Co. KG
Spectrum Analyser	FSIQ26	840061/005	Rohde & Schwarz GmbH & Co. KG
	<i>Calibration Details</i>		<i>Last Execution</i> <i>Next Exec.</i>
	Standard calibration		2011/02/10 2013/02/09
Temperature Chamber Vötsch 05	VT 4002	58566080550010	Vötsch
	<i>Calibration Details</i>		<i>Last Execution</i> <i>Next Exec.</i>
	Specific calibration		2010/03/16 2012/03/15
Vector Signal Generator	SMIQ 03B	837747/020	Rohde & Schwarz GmbH & Co. KG
	<i>Calibration Details</i>		<i>Last Execution</i> <i>Next Exec.</i>
	Standard/DKD Calibration		2008/10/09 2011/10/08



Reference: ODE_MJP_KYOCE_1101_FCCc
According to:
FCC 47 CFR Ch.1 Part 24, Subpart E

5 Annex

5.1 Additional Information for Report



Summary of Test Results

The EUT complied with all performed tests as listed in the summary section of this report.

Technical Report Summary

Type of Authorization :

Certification for a GSM cellular radiotelephone device

Applicable FCC Rules

Prepared in accordance with the requirements of FCC Rules and Regulations as listed in 47 CFR Ch.1 Parts 0 to 69. The following subparts are applicable to the results in this test report.

Part 2, Subpart J - Equipment Authorization Procedures, Certification

- § 2.1046 Measurement required: RF power output
- § 2.1049 Measurement required: Occupied bandwidth
- § 2.1051 Measurement required: Spurious emissions at antenna terminals
- § 2.1053 Measurement required: Field strength of spurious radiation
- § 2.1055 Measurement required: Frequency stability
- § 2.1057 Frequency spectrum to be investigated

Part 24, Subpart E - Broadband PCS

- § 24.232 Power and antenna height limits
- § 24.235 Frequency stability
- § 24.236 Field strength limits
- § 24.238 Emission limitations for Broadband PCS equipment

additional documents

ANSI TIA-603-C-2004

Description of Methods of Measurements

RF Power Output

Standard: FCC Part 24, Subpart E

The test was performed according to: FCC §2.1046

Test Description (conducted measurement procedure)

- 1) The EUT was coupled to a Spectrum Analyser and a Digital Communication Tester through a Power Divider. Refer to chapter "Setup Drawings".
- 2) The total insertion losses for signal path 1 and signal path 2 were measured. The values were used to correct the readings from the Spectrum Analyser and the Digital Communication Tester.
- 3) A call was established on a Traffic Channel between the EUT and the Digital Communication Tester.
Important Settings:
 - Channel (Frequency): please refer to the detailed results
- 4) The transmitted power of the EUT was recorded by using a spectrum analyser.

Test Description (radiated measurement procedure)

- 1) The EUT was placed inside an anechoic chamber. Refer to chapter "Setup Drawings". The EUT was coupled to a Digital Communication Tester which was located outside the chamber via a small signalling antenna.
- 2) A call was established on a Traffic Channel between the EUT and the Digital Communication Tester.
Important Settings:
 - Output Power: Maximum
 - Channel: please refer to the detailed results
- 3) A substitution procedure is used so that the readings from the spectrum analyser are corrected and represent directly the equivalent radiated power (related to a $\lambda/2$ dipole).
- 4) The output power was measured in both vertical and horizontal antenna polarisation during the call is established on the lowest channel, mid channel and on the highest channel. To find the worst case power all orientations (X, Y, Z) of the EUT have been measured.
- 5) The test procedure according to TIA-603-C-2004 has been considered.

Test Requirements / Limits

§2.1046 Measurements Required: RF Power Output

(a) For transmitters other than single sideband, independent sideband and controlled carrier radiotelephone, power output shall be measured at the RF output terminals when the transmitter is adjusted in accordance with the tune-up procedure to give the values of current and voltage on the circuit elements specified in § 2.1033(c)(8). The electrical characteristics of the output terminals when this test is made shall be stated.

§24.232 Power and antenna height limits

(c) Mobile/portable stations are limited to 2 watts EIRP peak power and the equipment must employ means to limit the power to the minimum necessary for successful communications.

(e) Peak transmit power must be measured over any interval of continuous transmission using instrumentation calibrated in terms of an rms-equivalent voltage. The measurement results shall be properly adjusted for any instrument limitations, such as detector response times, limited resolution bandwidth capability when compared to the emission bandwidth, sensitivity, etc., so as to obtain a true peak measurement for the emission in question over the full bandwidth of the channel.

Emission and Occupied Bandwidth

Standard: FCC Part 24, Subpart E

The test was performed according to: FCC §2.1049

Test Description

- 1) The EUT was coupled to a Spectrum Analyser and a Digital Communication Tester through a Power Divider. Refer to chapter "Setup Drawings".
- 2) The total insertion losses for signal path 1 and signal path 2 were measured. The values were used to correct the readings from the Spectrum Analyser and the Digital Communication Tester.
- 3) A call was established on a Traffic Channel between the EUT and the Digital Communication Tester.
Important Settings:
 - Output Power: Maximum
 - Channel: please refer to the detailed results
- 4) Important Analyser Settings:
 - Resolution Bandwidth: >1% of the manufacturer's stated occupied bandwidth
- 5) The maximum spectral level of the modulated signal was recorded as the reference.
- 6) The emission bandwidth is measured as follows:
the two furthest frequencies above and below the frequency of the maximum reference level where the

spectrum is -26 dB down have to be found.

7) The occupied bandwidth (99% Bandwidth) is measured as follows:
the occupied bandwidth, that is the frequency bandwidth such that, below its lower and above its upper frequency limits, the mean powers are each equal to 0.5 percent of the total mean power.

Test Requirements / Limits

§ 2.1049 Measurements required: Occupied bandwidth

The occupied bandwidth, that is the frequency bandwidth such that, below its lower and above its upper frequency limits, the mean powers radiated are each equal to 0.5 percent of the total mean power radiated by a given emission shall be measured under the following conditions (as applicable):

(h) Transmitters employing digital modulation techniques - when modulated by an input signal such that its amplitude and symbol rate represent the maximum rated conditions under which the equipment will be operated. The signal shall be applied through any filter networks, pseudo-random generators or other devices required in normal service. Additionally, the occupied bandwidth shall be shown for operation with any devices used for modifying the spectrum when such devices are optional at the discretion of the user.

Spurious emissions at antenna terminals

Standard: FCC Part 24, Subpart E

The test was performed according to FCC §2.1051

Test Description

- 1) The EUT was coupled to a Spectrum Analyser and a Digital Communication Tester through a Power Divider. Refer to chapter "Setup Drawings".
- 2) The total insertion losses for signal path 1 and signal path 2 were measured. The values were used to correct the readings from the Spectrum Analyser and the Digital Communication Tester.
- 3) A call was established on a Traffic Channel between the EUT and the Digital Communication Tester.

Important Settings:

- Output Power: Maximum
- Channel: please refer to the detailed results

4) Important Analyser Settings

- [Resolution Bandwidth]:

- a) [$\geq 1\%$ of wanted signal bandwidth] in the Span of 1 MHz directly below and above the Band,
 - b) otherwise [1 MHz]
 - c) [reduced resolution bandwidth] in case the curve of the analyser IF-Filter or the wanted EUT signal leads to an exceeding of the limit, in this case a correction factor was used
- Sweep Time: depending on the transmitting signal, the span and the resolution bandwidth
- 5) The spurious emissions peaks were measured in the frequency range from 9 kHz to 20 GHz (up to the 10th harmonic) during the call was established

Test Requirements / Limits

§ 2.1051 Spurious emissions at antenna terminals

The radio frequency voltage or power generated within the equipment and appearing on a spurious frequency shall be checked at the equipment output terminals when properly loaded with a suitable artificial antenna. Curves or equivalent data shall show the magnitude of each harmonic and other spurious emission that can be detected when the equipment is operated under the conditions specified in Sec. 2.1049 as appropriate. The magnitude of spurious emissions which are attenuated more than 20 dB below the permissible value need not be specified.

§ 2.1057 Frequency spectrum to be investigated.

(a) In all of the measurements set forth in Secs. 2.1051 and 2.1053, the spectrum shall be investigated from the lowest radio frequency signal generated in the equipment, without going below 9 kHz, up to at least the frequency shown below:

- (1) If the equipment operates below 10 GHz: to the tenth harmonic of the highest fundamental frequency or

to 40 GHz, whichever is lower.

(b) Particular attention should be paid to harmonics and subharmonics of the carrier frequency as well as to those frequencies removed from the carrier by multiples of the oscillator frequency. Radiation at the frequencies of multiplier stages should also be checked.

(c) The amplitude of spurious emissions which are attenuated more than 20 dB below the permissible value need not be reported.

(d) Unless otherwise specified, measurements above 40 GHz shall be performed using a minimum resolution bandwidth of 1 MHz.

§ 24.238 Emission limitations for Broadband PCS equipment

(a) The power of any emission outside of the authorized operating frequency ranges must be attenuated below the transmitting power (P) by a factor of at least $43 + 10 \log(P)$ dB.

Remark of the test laboratory: This is calculated to be -13 dBm.

(b) Compliance with these rules is based on the use of measurement instrumentation employing a resolution bandwidth of 1 MHz or greater. However, in the 1 MHz bands immediately outside and adjacent to the frequency block a resolution bandwidth of at least one percent of the emission bandwidth of the fundamental emission of the transmitter may be employed. A narrower resolution bandwidth is permitted in all cases to improve measurement accuracy provided the measured power is integrated over the full required measurement bandwidth (i.e. 1 MHz or 1 percent of emission bandwidth, as specified). The emission bandwidth is defined as the width of the signal between two points, one below the carrier center frequency and one above the carrier center frequency, outside of which all emissions are attenuated at least 26 dB below the transmitter power.

(c) Licensees in this service may establish an alternative out of band emission limit to be used at specified band edge(s) in specified geographical areas [...].

(d) If any emission from a transmitter operating in this service results in interference to users of another radio service, the FCC may require a greater attenuation of that emission than specified in this section.

For reporting only spurious emission levels reaching to the 20dB margin to limit were noted.

Field strength of spurious radiation

Standard: FCC Part 24, Subpart E

The test was performed according to: FCC §2.1053

Test Description

1) The EUT was placed inside an anechoic chamber. Refer to chapter "Setup Drawings". The EUT was coupled to a Digital Communication Tester which was located outside the chamber via a small signalling antenna.

2) A call was established on a Traffic Channel between the EUT and the Digital Communication Tester.

Important Settings:

- Output Power: Maximum

- Channel: please refer to the detailed results

3) A pre-calibration procedure is used so that the readings from the spectrum analyser are corrected and represent directly the equivalent radiated power (related to a $\lambda/2$ dipole).

4) All spurious radiation measurements were made with spectrum analyser and the appropriate calibrated antennas for the frequency range of 30 MHz to 20 GHz (up to the 10th harmonic of the transmit frequency). The frequency range from 9 kHz to 30 MHz has been examined during the conducted spurious emission measurements.

5) Important Analyser Settings

- [Resolution Bandwidth / Video Bandwidth]:

a) [3 kHz / 10 kHz] in the Span of 1 MHz directly below and above the Band,

b) [10 kHz / 30 kHz] in case the curve of the analyser IF-Filter leads to an exceeding of the limit, in this case a worst case correction factor of 20 dB (1 MHz -> 10 kHz) was used

c) [1 MHz / 3 MHz] otherwise

- Sweep Time: depending on the transmitting signal, the span and the resolution bandwidth

6) The spurious emissions peaks were measured in both vertical and horizontal antenna polarisation during the call is established on the lowest channel, mid channel and on the highest channel. To find the worst case peaks all orientations (X, Y, Z) of the EUT have been measured.

Test Requirements / Limits

§ 2.1053 Measurements required: Field strength of spurious radiation.

Measurements shall be made to detect spurious emissions that may be radiated directly from the cabinet, control circuits, power leads, or intermediate circuit elements under normal conditions of installation and operation. Curves or equivalent data shall be supplied showing the magnitude of each harmonic and other spurious emission. For this test, single sideband, independent sideband, and controlled carrier transmitters shall be modulated under the conditions specified in paragraph (c) of Sec. 2.1049, as appropriate. For equipment operating on frequencies below 890 MHz, an open field test is normally required, with the measuring instrument antenna located in the far-field at all test frequencies. In the event it is either impractical or impossible to make open field measurements (e.g. a broadcast transmitter installed in a building) measurements will be accepted of the equipment as installed. Such measurements must be accompanied by a description of the site where the measurements were made showing the location of any possible source of reflections which might distort the field strength measurements. Information submitted shall include the relative radiated power of each spurious emission with reference to the rated power output of the transmitter, assuming all emissions are radiated from halfwave dipole antennas.

(b) The measurements specified in paragraph (a) of this section shall be made for the following equipment:

(2) All equipment operating on frequencies higher than 25 MHz.

§ 2.1057 Frequency spectrum to be investigated.

(a) In all of the measurements set forth in Secs. 2.1051 and 2.1053, the spectrum shall be investigated from the lowest radio frequency signal generated in the equipment, without going below 9 kHz, up to at least the frequency shown below:

(1) If the equipment operates below 10 GHz: to the tenth harmonic of the highest fundamental frequency or to 40 GHz, whichever is lower.

(b) Particular attention should be paid to harmonics and subharmonics of the carrier frequency as well as to those frequencies removed from the carrier by multiples of the oscillator frequency. Radiation at the frequencies of multiplier stages should also be checked.

(c) The amplitude of spurious emissions which are attenuated more than 20 dB below the permissible value need not be reported.

(d) Unless otherwise specified, measurements above 40 GHz shall be performed using a minimum resolution bandwidth of 1 MHz.

§ 24.238 Emission limitations for Broadband PCS equipment

(a) The power of any emission outside of the authorized operating frequency ranges must be attenuated below the transmitting power (P) by a factor of at least $43 + 10 \log(P)$ dB.

This is calculated to be -13 dBm (effective radiated power) which corresponds to 84.6 dB μ V/m (field strength) in a distance of 3 m.

(b) Compliance with these rules is based on the use of measurement instrumentation employing a resolution bandwidth of 1 MHz or greater. However, in the 1 MHz bands immediately outside and adjacent to the frequency block a resolution bandwidth of at least one percent of the emission bandwidth of the fundamental emission of the transmitter may be employed. A narrower resolution bandwidth is permitted in all cases to improve measurement accuracy provided the measured power is integrated over the full required measurement bandwidth (i.e. 1 MHz or 1 percent of emission bandwidth, as specified). The emission bandwidth is defined as the width of the signal between two points, one below the carrier center frequency and one above the carrier center frequency, outside of which all emissions are attenuated at least 26 dB below the transmitter power.

(c) Licensees in this service may establish an alternative out of band emission limit to be used at specified band edge(s) in specified geographical areas [...].

(d) If any emission from a transmitter operating in this service results in interference to users of another radio service, the FCC may require a greater attenuation of that emission than specified in this section.

For reporting only spurious emission levels reaching to the 20dB margin to limit were noted.

Frequency stability

Standard: FCC Part 24, Subpart E

The test was performed according to FCC §2.1055

Test Description

- 1) The EUT was placed inside a temperature chamber.
- 2) The EUT was coupled to a Digital Communication Tester. Refer to chapter "Setup Drawings".
- 3) The climatic chamber was cycled down/up to a certain temperature, starting with the EUT minimum temperature.
- 4) After the temperature was stabilized the EUT was switched on and a call was established on a Traffic Channel between the EUT and the Digital Communication Tester.

Important Settings:

- Output Power: Maximum
- Mid Channel

- 5) The frequency error of the EUT was recorded by using an internal measurement function of the Digital Communication Tester immediately after the call was established, five minutes after the call was established and ten minutes after the call was established.
 - 6) This measurement procedure was performed for temperature variation from -30°C to $+50^{\circ}\text{C}$ in increments of 10°C , if not otherwise stated in the detailed results.
- When the EUT did not operate at certain temperature levels, these measurements were left out.

Test Requirements / Limits

§2.1055 Measurements required: Frequency stability

(a) The frequency stability shall be measured with variation of ambient temperature as follows:

(1) From -30° to $+50^{\circ}$ centigrade for all equipment except that specified in paragraphs

(a) (2) and (3) of this section.

(b) Frequency measurements shall be made at the extremes of the specified temperature range and at intervals of not more than 10° centigrade through the range. A period of time sufficient to stabilize all of the components of the oscillator circuit at each temperature level shall be allowed prior to frequency measurement. The short term transient effects on the frequency of the transmitter due to keying (except for broadcast transmitters) and any heating element cycling normally occurring at each ambient temperature level also shall be shown. Only the portion or portions of the transmitter containing the frequency determining and stabilizing circuitry need be subjected to the temperature variation test.

(d) The frequency stability shall be measured with variation of primary supply voltage as follows:

(1) Vary primary supply voltage from 85 to 115 percent of the nominal value for other than hand carried battery equipment.

(2) For hand carried, battery powered equipment, reduce primary supply voltage to the battery operating end point which shall be specified by the manufacturer.

(3) The supply voltage shall be measured at the input to the cable normally provided with the equipment, or at the power supply terminals if cables are not normally provided. Effects on frequency of transmitter keying (except for broadcast transmitters) and any heating element cycling at the nominal supply voltage and at each extreme also shall be shown.

§24.235 Frequency stability

The frequency stability shall be sufficient to ensure that the fundamental emission stays within the authorized frequency block.

7Layers interpretation of limit:

To ensure that the frequency stability shall be sufficient to ensure that the fundamental emission stays within the authorized frequency block following limit was used:

± 2.5 ppm = 4700 Hz for a frequency of 1880.0 MHz

in accordance with FCC Part 22, Subpart H, §22.355, table C-1: Frequency tolerance for the carrier frequency of mobile transmitters in the Public Mobile Service in the frequency range 821 to 896 MHz.

Band edge compliance

Standard: FCC Part 24, Subpart E

The test was performed according to: FCC §24.238

Test Description

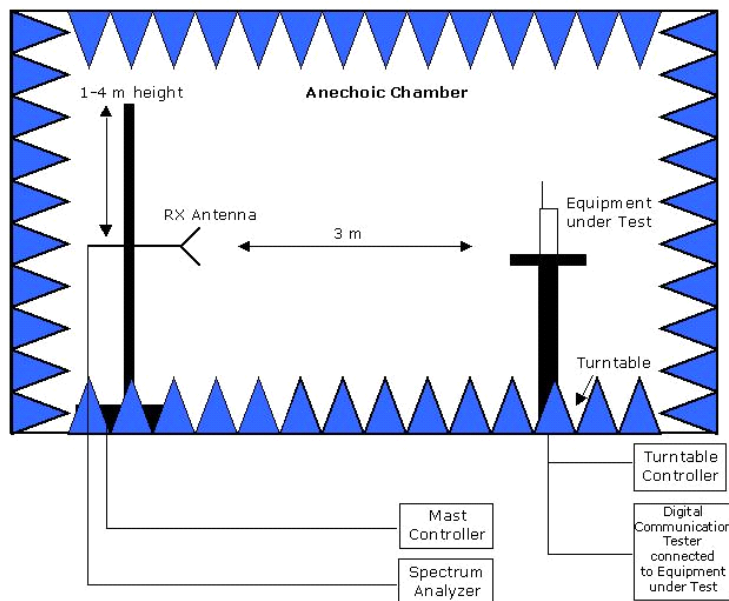
- 1) The EUT was coupled to a Spectrum Analyser and a Digital Communication Tester through a Power Divider. Refer to chapter "Setup Drawings".
 - 2) The total insertion losses for signal path 1 and signal path 2 were measured. The values were used to correct the readings from the Spectrum Analyser and the Digital Communication Tester.
 - 3) A call was established on a Traffic Channel between the EUT and the Digital Communication Tester.
- Important Settings:
- Output Power: Maximum
 - Channel: please refer to the detailed results
- 4) Important Analyser Settings:
- Resolution Bandwidth = Video Bandwidth: >1% of the manufacturer's stated occupied bandwidth

Test Requirements / Limits

§ 24.238 Effective radiated power limits

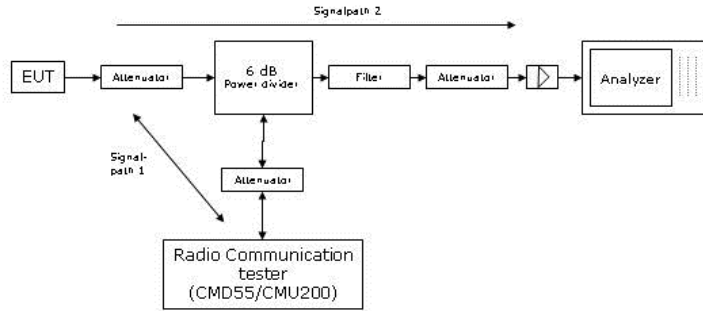
Refer to chapter "Field strength of spurious radiation".

Setup Drawings



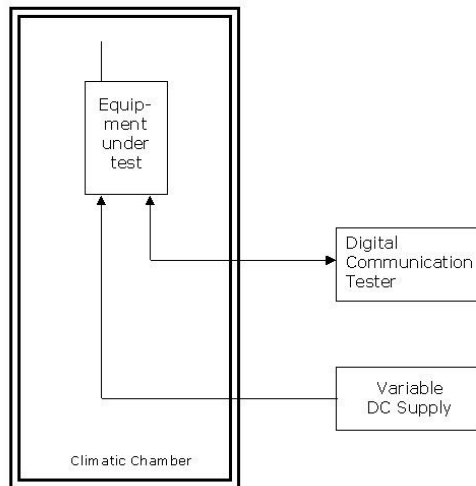
Remark: Depending on the frequency range suitable antenna types, attenuators or preamplifiers are used.

Principle set-up for radiated measurements



Remark: Depending on the frequency range suitable attenuators and/or filters and/or amplifiers are used.

Principle set-up for conducted measurements under nominal conditions



Principle set-up for tests under extreme test conditions



6 Index

1	Administrative Data	2
1.1	Project Data	2
1.2	Test Laboratory Data	2
1.3	Signature of the Testing Responsible	2
1.4	Signature of the Accreditation Responsible	2
2	Test Object Data	3
2.1	General OUT Description	3
2.2	Detailed Description of OUT Samples	3
2.3	OUT Features	4
2.4	Operating Mode(s)	4
2.5	Setups used for Testing	4
3	Results	5
3.1	General	5
3.2	List of the Applicable Body	5
3.3	List of Test Specification	5
3.4	Summary	6
3.5	Detailed Results	7
3.5.1	24.1 RF Power Output §2.1046, §24.232	7
3.5.2	24.2 Frequency stability §2.1055, §24.235	16
3.5.3	24.3 Spurious emissions at antenna terminals §2.1051, §24.238	18
3.5.4	24.4 Field strength of spurious radiation §2.1053, §24.238	27
3.5.5	24.5 Emission and Occupied Bandwidth §2.1049, §24.238	34
3.5.6	24.6 Band edge compliance §2.1053, §24.238	43
4	Test Equipment Details	48
4.1	List of Used Test Equipment	48
5	Annex	54
5.1	Additional Information for Report	54
6	Index	63