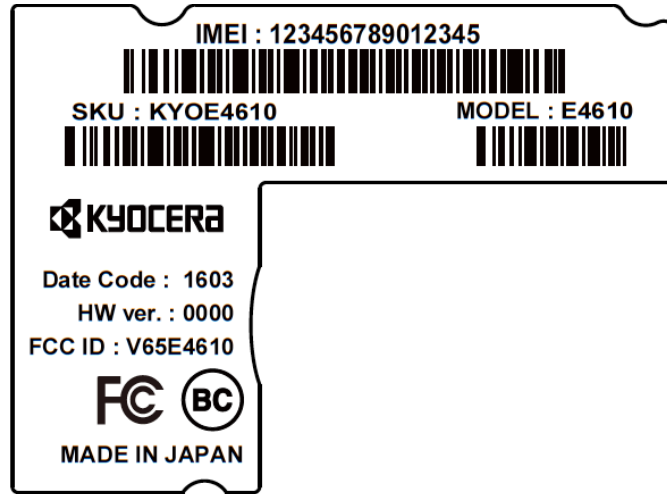
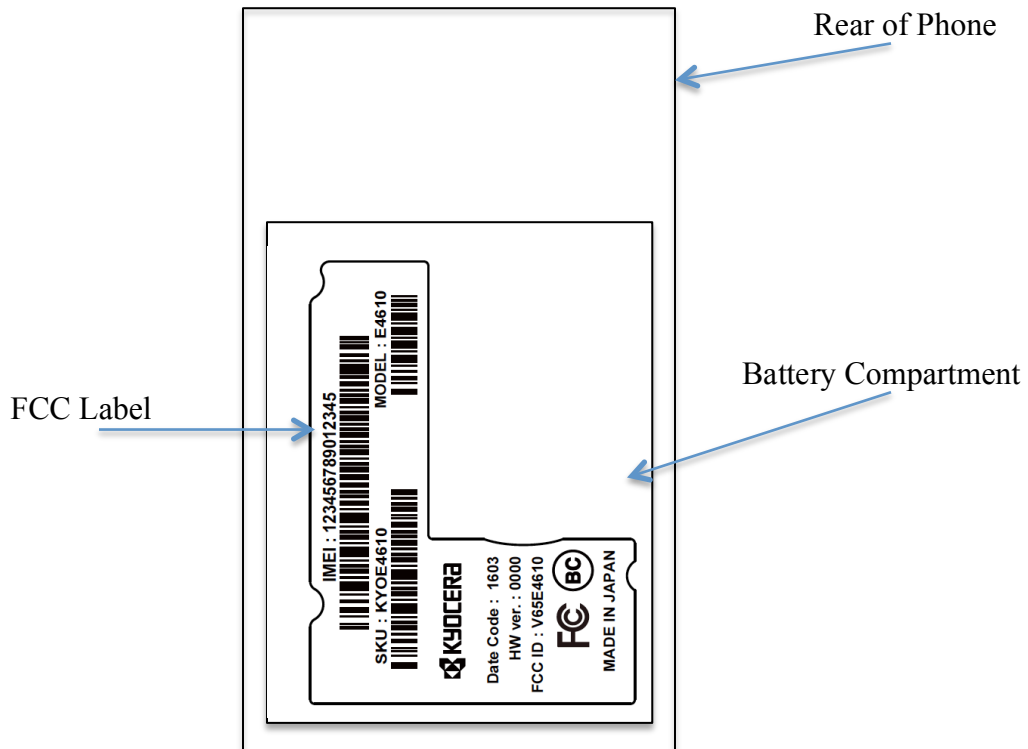


FCC ID: V65E4610

Label Information



Label Location





KYOCERA International, Inc

8611 Balboa Avenue

San Diego, CA 92123

Phone: 858-882-1400

FAX: 858-450-0134

FCC ID: V65E4610

FCC declaration statement

Kyocera complies with FCC rules Part 2.925(d) that the label shall be permanently affixed to the equipment and shall be readily visible to the purchaser at the time of purchase:

1. This cellular phone has limited label space on the exterior of the unit. The FCC ID label is placed in the battery compartment.
2. The phone will be marketed without the battery installed. The user will see the label when the user installs the battery.

Date: 8/3/17

Douglas Dunn
Director of Regulatory Affairs
Kyocera Corporation
% Kyocera International, Inc.