



**RADIATED SPURIOUS EMISSIONS PORTIONS OF
FCC CFR47 PART 24 SUBPART E**

**CERTIFICATION TEST REPORT
FOR**

**CDMA MOBILE PHONE
MODEL NUMBER: C5133**

FCC ID: V65C5133

REPORT NUMBER: 12U14622-1, Revision A

ISSUE DATE: NOVEMBER 07, 2012

Prepared for

**KYOCERA COMMUNICATIONS, INC
9520 TOWNE CENTRE DRIVE
SAN DIEGO, CA 92121, U.S.A.**

Prepared by

**COMPLIANCE CERTIFICATION SERVICES (UL CCS)
47173 BENICIA STREET
FREMONT, CA 94538, U.S.A.
TEL: (510) 771-1000
FAX: (510) 661-0888**



NVLAP LAB CODE 200065-0

Revision History

<u>Rev.</u>	<u>Issue Date</u>	<u>Revisions</u>	<u>Revised By</u>
---	10/11/12	Initial Issue	T. Chan
A	11/7/12	Correct EIRP Power	Chin Pang

1. ATTESTATION OF TEST RESULTS

COMPANY NAME: KYOCERA COMMUNICATIONS, INC
9520 TOWNE CENTRE DRIVE
SAN DIEGO, CA 92121, U.S.A

EUT DESCRIPTION: CDMA MOBILE PHONE

MODEL: C5133

SERIAL NUMBER: 268435457816728226

DATE TESTED: October 11, 2012

APPLICABLE STANDARDS	
STANDARD	TEST RESULTS
FCC PART 24E	PASS (Radiated Portion)

Compliance Certification Services, Inc. (UL CCS) tested the above equipment in accordance with the requirements set forth in the above standards. All indications of Pass/Fail in this report are opinions expressed by UL CCS based on interpretations and/or observations of test results. Measurement Uncertainties were not taken into account and are published for informational purposes only. The test results show that the equipment tested is capable of demonstrating compliance with the requirements as documented in this report.

Note: The results documented in this report apply only to the tested sample, under the conditions and modes of operation as described herein. This document may not be altered or revised in any way unless done so by UL CCS and all revisions are duly noted in the revisions section. Any alteration of this document not carried out by UL CCS will constitute fraud and shall nullify the document. This report must not be used by the client to claim product certification, approval, or endorsement by NVLAP, NIST, any agency of the Federal Government, or any agency of any government.

Approved & Released For UL CCS By:

Tested By:



THU CHAN
WiSE Operations Manager
UL CCS

Roy Zheng
WiSE Lab Technician
UL CCS

2. TEST METHODOLOGY

The tests documented in this report were performed in accordance with TIA-603-C, FCC CFR 47 Part 2, and FCC CFR Part 24.

3. FACILITIES AND ACCREDITATION

The test sites and measurement facilities used to collect data are located at 47173 Benicia Street, Fremont, California, USA.

UL CCS is accredited by NVLAP, Laboratory Code 200065-0. The full scope of accreditation can be viewed at <http://www.ccsemc.com>.

4. CALIBRATION AND UNCERTAINTY

4.1. MEASURING INSTRUMENT CALIBRATION

The measuring equipment utilized to perform the tests documented in this report has been calibrated in accordance with the manufacturer's recommendations, and is traceable to recognized national standards.

4.2. SAMPLE CALCULATION

Where relevant, the following sample calculation is provided:

$$\text{Field Strength (dBuV/m)} = \text{Measured Voltage (dBuV)} + \text{Antenna Factor (dB/m)} + \text{Cable Loss (dB)} - \text{Preamp Gain (dB)}$$

$$36.5 \text{ dBuV} + 18.7 \text{ dB/m} + 0.6 \text{ dB} - 26.9 \text{ dB} = 28.9 \text{ dBuV/m}$$

4.3. MEASUREMENT UNCERTAINTY

Where relevant, the following measurement uncertainty levels have been estimated for tests performed on the apparatus:

PARAMETER	UNCERTAINTY
Conducted Disturbance, 0.15 to 30 MHz	3.52 dB
Radiated Disturbance, 30 to 1000 MHz	4.94 dB

Uncertainty figures are valid to a confidence level of 95%.

5. EQUIPMENT UNDER TEST

5.1. DESCRIPTION OF EUT

EUT is a CDMA Mobile Phone with Bluetooth and WLAN

5.2. MAXIMUM OUTPUT POWER

The transmitter has a maximum peak EIRP output powers as follows:

Part 24 PCS Band

Frequency range (MHz)	Modulation	EIRP	
		dBm	mW
1851.25 – 1908.75	1xRTT	27.39	548.3

5.3. SOFTWARE AND FIRMWARE

The EUT is linked with Agilent Communication E55115C Test Set.

5.4. WORST-CASE CONFIGURATION AND MODE

The worst-position was the EUT with highest emissions. To determine the worst-case, the EUT was investigated for X, Y, and Z-Positions, and the worst position among X, Y, or Z with AC/DC adapter and headset, after the investigations, the worst-position was turned out to be X-Position with AC Adapter.

PROCEDURE USED TO ESTABLISH TEST SIGNAL

3G-CDMA2000 1xRTT

This procedure assumes the Agilent E5515C Test Set has the following applications installed and with valid license.

<u>Application</u>	<u>Rev, License</u>
CDMA2000 Mobil Test	B.10.11, L

1xRTT

- Call Setup > Shift & Preset
- Protocol Rev > 6 (IS-2000-0)
- Radio Config (RC) > RC3 (Fwd3, Rvs3)
- FCH Service Option (SO) Setup > 55
- Traffic Data Rate > Full
- TDSO SCH Info > F-SCH Parameters > F-SCH Data Rate > 153.6 kbps
> R-SCH Parameters > R-SCH Data Rate > 153.6 kbps
- Cell Info > Cell Parameters > System ID (SID) > 4395
> Network ID (NID) > 0
> Initial Registration Channel > 1125 (PCS)

Once "Active Cell" show "Connected " then change "Rvs Power Ctrl" from "Active bits" to "**All Up bits**" to get the maximum power.

Worst-case Measurement Result @ Low, Middle and High Channel

Worst-case Measurement Result for Low, Middle and High Channel under Radio Configuration RC3 and Service Option 55.

5.5. DESCRIPTION OF TEST SETUP

SUPPORT EQUIPMENT

PERIPHERAL SUPPORT EQUIPMENT LIST				
Description	Manufacturer	Model	Serial Number	FCC ID
Power Adapter	Kyocera	SCP-30ADT	N/A	N/A
Headphones	N/A	N/A	N/A	N/A
Data Cable	Kyocera	SCP-09SDC	N/A	N/A

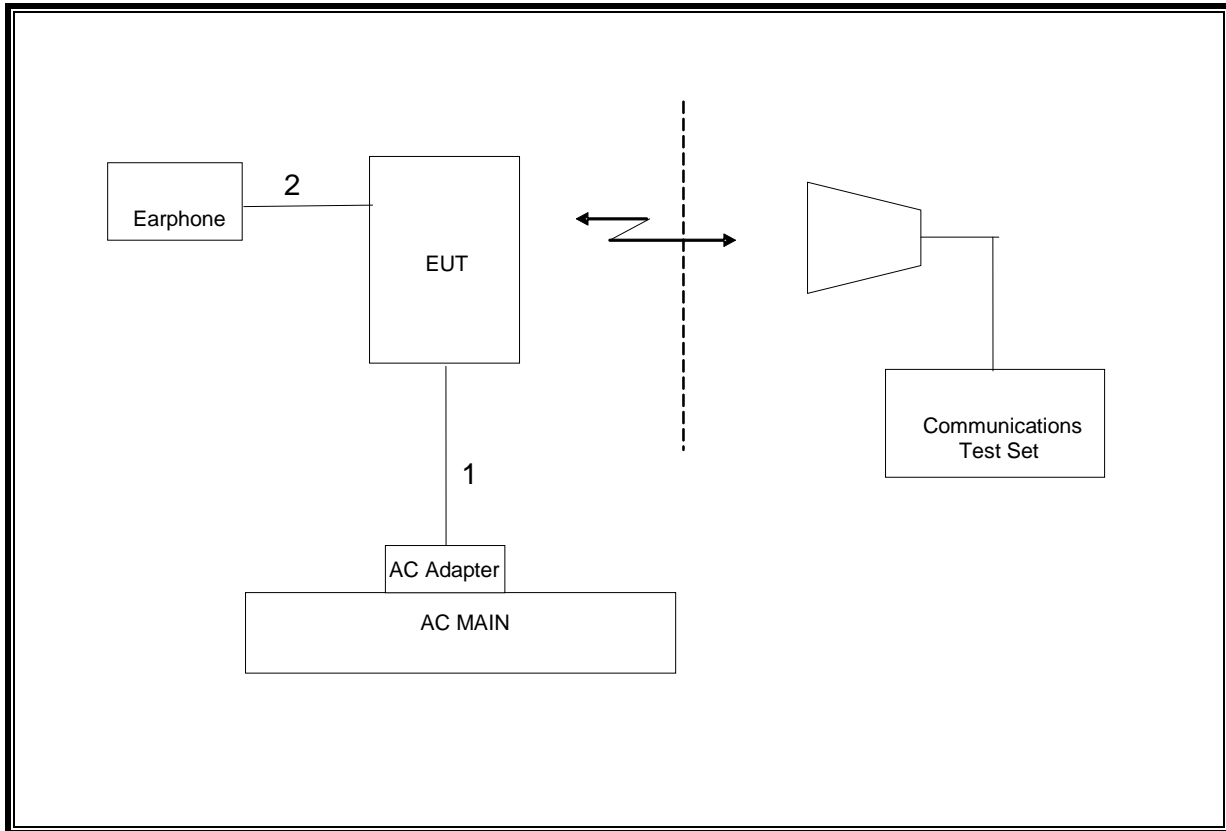
I/O CABLES

I/O CABLE LIST						
Cable No.	Port	# of Identical Ports	Connector Type	Cable Type	Cable Length	Remarks
1	DC	1	USB	Shielded	1m	Mic on Cable
2	Mic	1	Earphone	Un-shielded	1m	NA

TEST SETUP

The EUT is a CDMA phone and is tested as a standalone configuration. Communications Test Set is used to link the device under test.

SETUP DIAGRAM FOR TESTS



6. TEST AND MEASUREMENT EQUIPMENT

The following test and measurement equipment was utilized for the tests documented in this report:

TEST EQUIPMENT LIST				
Description	Manufacturer	Model	Asset	Cal Due
Spectrum Analyzer, 44 GHz	Agilent / HP	E4446A	C00986	03/22/13
Communications Test Set	Agilent / HP	E5515C	1000732	02/24/13
Antenna, Horn, 18 GHz	EMCO	3115	C00783	10/25/13
Vector signal generator, 6 GHz	Agilent / HP	E4438C	None	07/06/13
Antenna, Horn, 18 GHz	EMCO	3115	C00945	10/18/12
Preamplifier, 26.5 GHz	Agilent / HP	8449B	C01063	11/07/12
Highpass Filter, 2.7 GHz	Micro-Tronics	HPM13194	N02687	CNR

7. LIMITS AND RESULTS

7.1. RADIATED OUTPUT POWER

LIMITS

24.232(b) & RSS133 § 6.4 Mobile/portable stations are limited to 2 watts e.i.r.p. peak power and the equipment must employ means to limit the power to the minimum necessary for successful communications.

TEST PROCEDURE

ANSI / TIA / EIA 603 Clause 2.2.17 & FCC 24.238 (b), (g) (1)(2)(3).

RESULTS

PCS OUTPUT POWER (EIRP)

High Frequency Fundamental Measurement Compliance Certification Services Chamber B								
Company:		Kyocera						
Project #:		12U14622						
Date:		10/10/12						
Test Engineer:		Roy Zheng						
Configuration:		EUT and AC Adapter						
Mode:		TX, CDMA2000						
Test Equipment:								
Receiving: Horn T59 and Chamber B SMA Cables								
Substitution: Horn T217 Substitution, 4ft SMA Cable (244639001) Warehouse								
f GHz	SG reading (dBm)	Ant. Pol. (H/V)	Cable Loss (dB)	Antenna Gain (dBi)	EIRP (dBm)	Limit (dBm)	Delta (dB)	Notes
Low Ch								
1.851	10.8	V	0.85	8.62	18.57	33.0	-14.4	
1.851	19.1	H	0.85	8.47	26.72	33.0	-6.3	
Mid Ch								
1.880	11.5	V	0.85	8.46	19.11	33.0	-13.9	
1.880	19.9	H	0.85	8.36	27.39	33.0	-5.6	
High Ch								
1.909	9.0	V	0.85	8.30	16.46	33.0	-16.5	
1.909	19.7	H	0.85	8.25	27.10	33.0	-5.9	
Rev. 3.17.11								

7.2. FIELD STRENGTH OF SPURIOUS RADIATION

LIMIT

§24.238 (a) Out of band emissions. The power of any emission outside of the authorized operating frequency ranges must be attenuated below the transmitting power (P) by a factor of at least $43 + 10 \log (P)$ dB.

TEST PROCEDURE

ANSI / TIA / EIA 603 Clause 3.2.12 & FCC 24.238 (b)(g)(1)(2)

RESULTS

PCS Spurious & Harmonic (EIRP)

Compliance Certification Services Above 1GHz High Frequency Substitution Measurement									
Company:		Kyocera							
Project #:		12U14622							
Date:		10/10/12							
Test Engineer:		Roy Zheng							
Configuration:		EUT and AC Adapter							
Mode:		TX, CDMA2000, PCS BAND							
Chamber		Pre-amplifier			Filter		Limit		
5m Chamber B		T145 8449B			Filter 1		Part 24		
f GHz	SG reading (dBm)	Ant. Pol. (H/V)	Distance (m)	Preamp (dB)	Filter (dB)	EIRP (dBm)	Limit (dBm)	Delta (dB)	Notes
Low Ch, (1851.25MHz)									
5.551	-12.6	V	3.0	35.4	1.0	-47.0	-13.0	-34.0	
7.400	-13.3	V	3.0	35.7	1.0	-48.0	-13.0	-35.0	
5.551	-11.0	H	3.0	35.4	1.0	-45.4	-13.0	-32.4	
7.400	-11.2	H	3.0	35.7	1.0	-45.9	-13.0	-32.9	
Mid Ch, (1880.0MHz)									
3.760	-11.6	V	3.0	35.3	1.0	-45.9	-13.0	-32.9	
5.640	-11.8	V	3.0	35.4	1.0	-46.2	-13.0	-33.2	
3.760	-7.8	H	3.0	35.3	1.0	-42.1	-13.0	-29.1	
5.640	-8.0	H	3.0	35.4	1.0	-42.5	-13.0	-29.5	
High Ch, (1908.75MHz)									
3.820	-13.7	V	3.0	35.3	1.0	-48.0	-13.0	-35.0	
5.729	-10.9	V	3.0	35.4	1.0	-45.3	-13.0	-32.3	
3.820	-7.7	H	3.0	35.3	1.0	-42.0	-13.0	-29.0	
5.729	-7.5	H	3.0	35.4	1.0	-41.9	-13.0	-28.9	
Rev. 03.03.09									
Note: No other emissions were detected above the system noise floor.									