

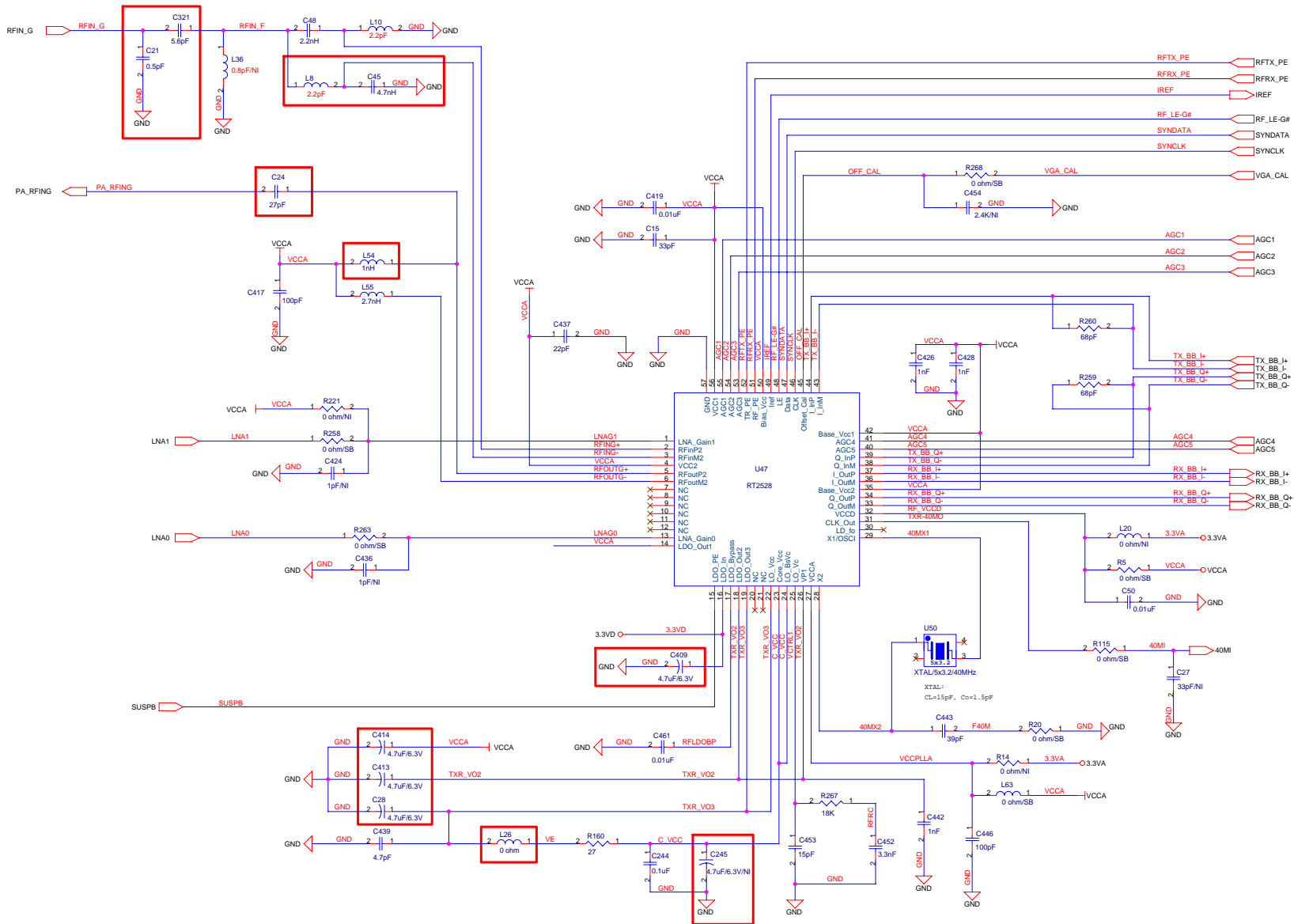
2412-2462MHZ

Filename:
USB-PEN-RT2501W-V31ST-4L-NOBPF-D2359-060330.DSN


RALINK TECHNOLOGY, CORP.

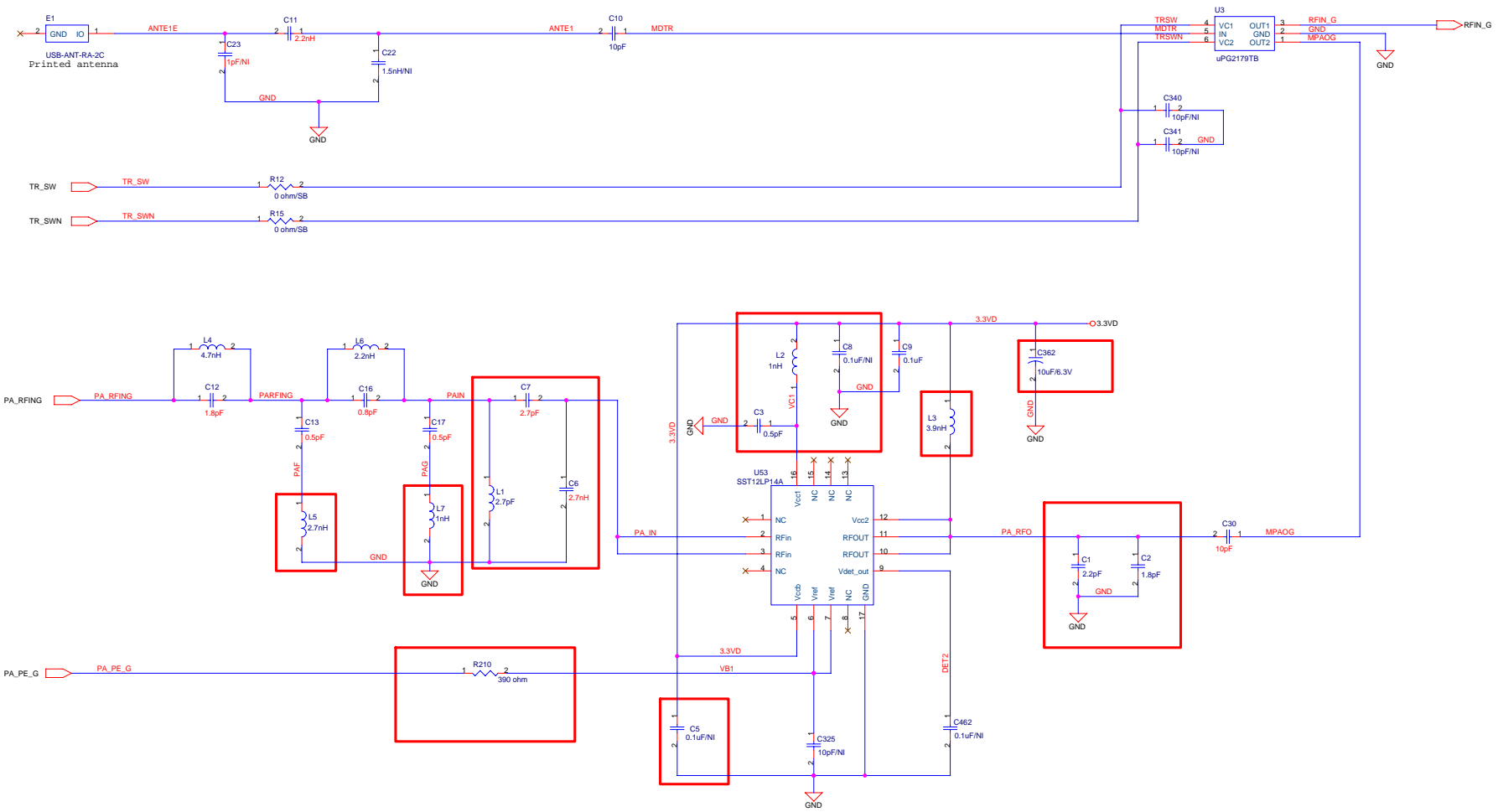


Title	USB 2.0 PEN TYPE System - RT2571W + RT2528		
Size	Document Number	Rev	3.1
R	USB-RT2501WUSB-V31ST-X.SCH		
Date:	Monday, April 03, 2006	Sheet	1 of 5




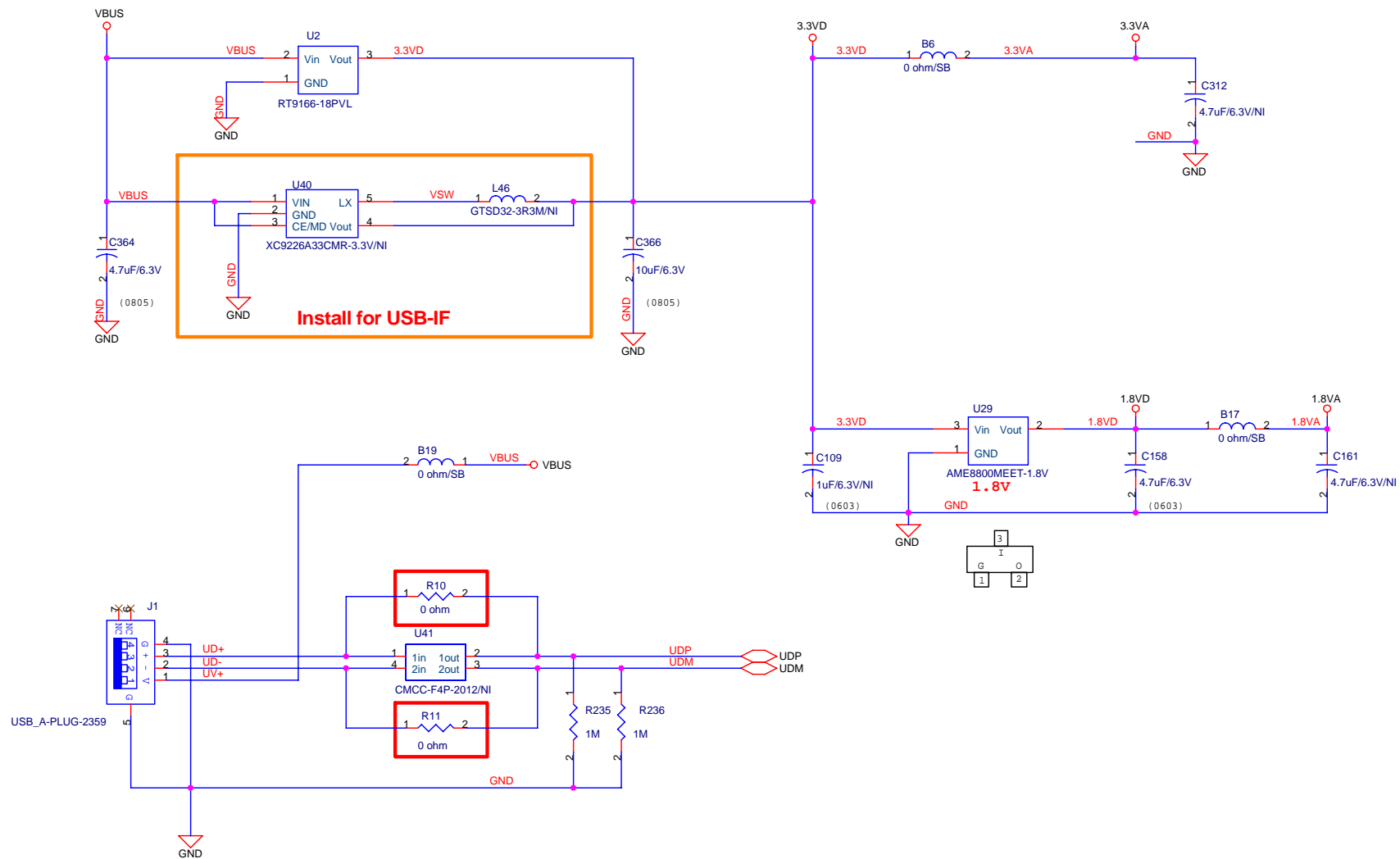
RALINK TECHNOLOGY, CORP.
CONFIDENTIAL

		RALINK TECHNOLOGY, CORP.	
		File	Transceiver - RT2528
Size	C	Document Number	2-RT2528-xtal.SCH
Date	Monday, April 03, 2006	Sheet	2 of 5
Rev	3.1		




RALINK TECHNOLOGY, CORP.
CONFIDENTIAL

		RALINK TECHNOLOGY, CORP.	
		File	PA and TX/RX
Size	C	Document Number	3-PA-SST12LP14A.SCH
Date	Tuesday, April 04, 2006	Sheet	3 of 5
		Rev	3.1



RALINK TECHNOLOGY, CORP.
CONFIDENTIAL

	RALINK TECHNOLOGY, CORP.		
	Title PEN USB Interface and Power		
	Size B	Document Number 5-USB-A.SCH	Rev 3.1
	Date Monday, April 03, 2006	Sheet 5 of 5	