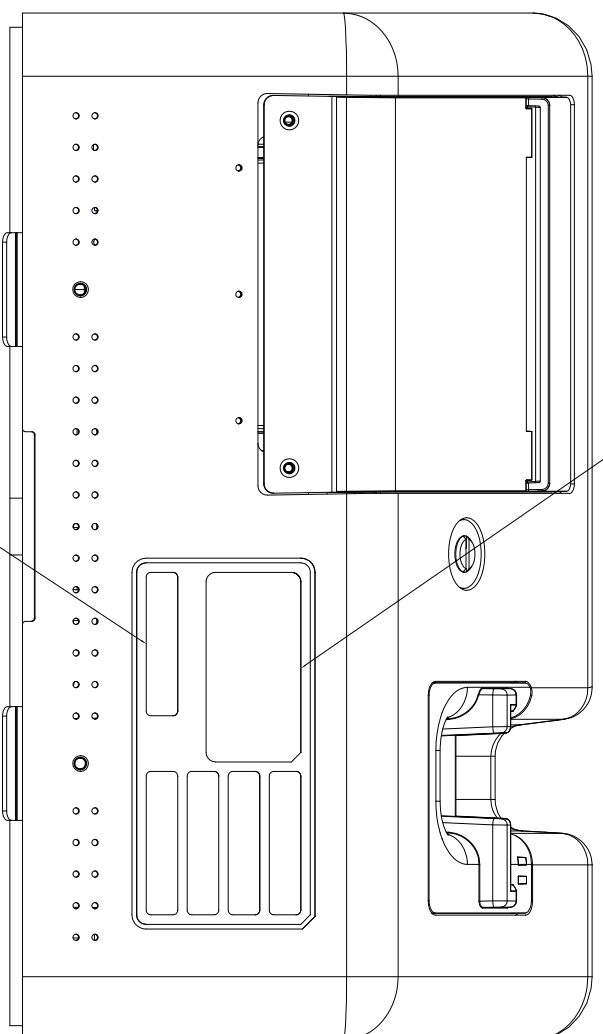


INDEX	DESCRIPTION	DATE	NUMBER
1.0		11-Mar-19	



整机SN

整机铭牌

TOLERANCE TABLE FOR UNTOLERANCED DIMENSIONS		Designed by	Title/Name	Part no	Unit	Sheet 1	Of 1
DIMENSIONS	TOLERANCE	Checked by	00_SK600_ASM	赵福	mm	SK600整机	
100 TO 2500	±0.10	Confirmed by	Material/Color		Version	SK600整机	
2500 TO 5000	±0.15	Product	ABS / Silver		A.3		
5000 TO 10000	±0.20	Standardization	GENERAL WALL THICKNESS		Scale	Weight/g	
10000 AND ABOVE	±0.30	Approved by	PAX Computer Technology (SHENZHEN) Co., Ltd.		1:5		
ANGLES	±0.10				Unit		
					Size		
					A3		