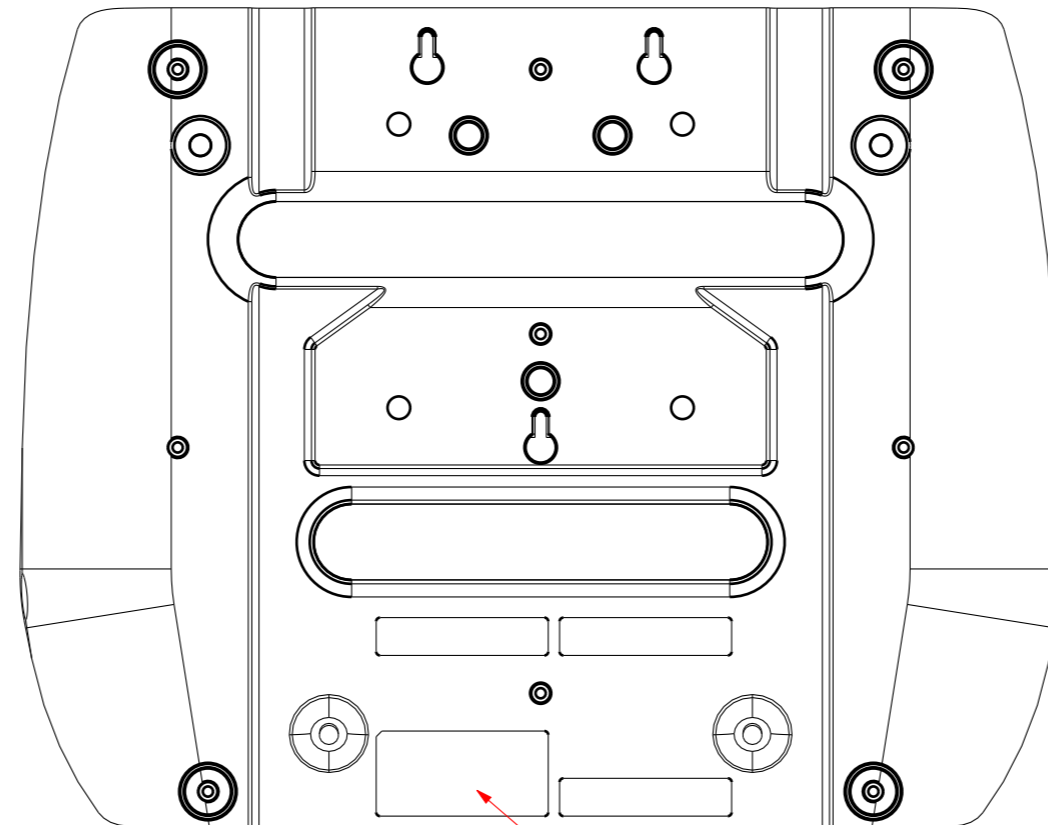


INDEX	DESCRIPTION	DATE	NUMBER



名牌贴纸位置

TOLERANCE TABLE FOR UNTOLERANCED DIMENSIONS		Designed by	Title/Name	SK300_BASE_BOTTOM_HOUSING	Part no
DIMENSIONS	TOLERANCE	Checked by	底座底壳	Model no	SK300
0.00 TO 25.00	±0.10	Confirmed by	Material/Color	Version	A.4
25.01 TO 50.00	±0.15	Product	GENERAL WALL THICKNESS	Scale	0.500
50.01 TO 100.00	±0.20				
100.00 AND ABOVE	±0.30	Standardization	PAX Computer Technology (SHENZHEN) Co., Ltd.	Unit	mm
ANGLES	±1.00	Approved by		Size	A3