



# FCC RF Test Report

**APPLICANT** : PAX Technology Limited  
**EQUIPMENT** : Multi-Lane Payment Terminal  
**BRAND NAME** : PAX  
**MODEL NAME** : PX5  
**MARKETING NAME** : PX5  
**FCC ID** : V5PPX5RF  
**STANDARD** : FCC Part 15 Subpart C §15.225  
**CLASSIFICATION** : (DXX) Low Power Communication Device Transmitter

The product was received on Mar. 28, 2016 and testing was completed on May 03, 2016. We, SPORTON INTERNATIONAL (SHENZHEN) INC., would like to declare that the tested sample has been evaluated in accordance with the test procedures and has been in compliance with the applicable technical standards.

The test results in this report apply exclusively to the tested model / sample. Without written approval of SPORTON INTERNATIONAL (SHENZHEN) INC., the test report shall not be reproduced except in full.

Prepared by: Ken Chen / Manager

Approved by: Jones Tsai / Manager



**SPORTON INTERNATIONAL (SHENZHEN) INC.**

1F & 2F, Building A, Morning Business Center, No. 4003 ShiGu Rd., Xili Town,  
Nanshan District, Shenzhen, Guangdong, P. R. China



## Table of Contents

**SUMMARY OF THE TEST RESULT .....4**

**1. GENERAL INFORMATION.....5**

1.1 Applicant ..... 5

1.2 Manufacturer..... 5

1.3 Product Details..... 5

1.4 Modification of EUT..... 5

1.5 Testing Location ..... 6

1.6 Applicable Standards ..... 6

1.7 Test Modes..... 7

1.8 Test Configurations..... 8

1.9 Table for Supporting Units ..... 9

**2. CONDUCTED EMISSION TEST.....10**

2.1 Measuring Instruments ..... 10

2.2 Test setup ..... 10

2.3 Test Result of Conducted Emission Test..... 10

2.4 AC Power Line Conducted Emissions Measurement ..... 11

**3. CONDUCTED TEST ITEMS .....12**

3.1 Measuring Instruments ..... 12

3.2 Test Setup ..... 12

3.3 Test Result of Conducted Test Items..... 12

3.4 20dB and 99% OBW Spectrum Bandwidth Measurement..... 13

3.5 Frequency Stability Measurement ..... 13

**4. RADIATED TEST ITEMS.....14**

4.1 Measuring Instruments ..... 14

4.2 Test Setup ..... 14

4.3 Test Result of Radiated Test Items ..... 14

4.4 Field Strength of Fundamental Emissions and Mask Measurement ..... 15

4.5 Radiated Emissions Measurement ..... 16

**5. LIST OF MEASURING EQUIPMENT .....18**

**APPENDIX A. SETUP PHOTOGRAPHS**

**APPENDIX B. TEST RESULTS OF CONDUCTED EMISSION TEST**

**APPENDIX C. TEST RESULTS OF CONDUCTED TEST ITEMS**

C.1. Test Result of 20dB Spectrum Bandwidth

C.2 Test Result of Frequency Stability

**APPENDIX D. TEST RESULTS OF RADIATED TEST ITEMS**

D.1 Test Result of Field Strength of Fundamental Emissions

D.2 Results of Radiated Emissions (9 kHz~30MHz)

D.3 Results of Radiated Emissions (30MHz~1GHz)





**SUMMARY OF THE TEST RESULT**

Applied Standard: 47 CFR FCC Part 15 Subpart C / IC RSS-210 issue 8					
Part	FCC Rule	IC Rule	Description of Test	Result	Under Limit
3.1	15.207	RSS-GEN 8.8	AC Power Line Conducted Emissions	Complies	3.25 dB at 0.600MHz
3.2	15.225(a)(b)(c)	A2.6	Field Strength of Fundamental Emissions	Complies	51.63 dB at 13.560 MHz
3.3	2.1049	-	20dB Spectrum Bandwidth	Complies	-
3.3	-	RSS-GEN 6.6	99% OBW Spectrum Bandwidth	Complies	-
3.4	15.225(d) 15.209	A2.6	Radiated Emissions	Complies	1.06 dB at 729.370 MHz for Quasi-Peak
3.5	15.225(e)	A2.6	Frequency Stability	Complies	-
3.6	15.203	-	Antenna Requirements	Complies	-

Test Items	Uncertainty	Remark
AC Power Line Conducted Emissions	±2.3dB	Confidence levels of 95%
Radiated Emissions (30MHz~1000MHz)	±5.0dB	Confidence levels of 95%



## 1. GENERAL INFORMATION

### 1.1 Applicant

**PAX Technology Limited**

Room 2416, 24/F., Sun Hung Kai Centre, 30 Harbour Road, Wanchai, Hong Kong

### 1.2 Manufacturer

**PAX Computer Technology (Shenzhen) Co., Ltd.**

4/F, No.3 Building, Software Park, Second Central Science-Tech Road, High-Tech industrial Park, Shenzhen, Guangdong, P.R.C.

### 1.3 Product Details

Items	Description
<b>Tx/Rx Frequency Range</b>	13.553 ~ 13.567MHz
<b>Channel Number</b>	1
<b>20dBW</b>	2.48 KHz
99%OBW	2.10 KHz
Antenna Type	PCB Antenna
<b>Type of Modulation</b>	ASK

**Remark:** The above EUT's information was declared by manufacturer. Please refer to the specifications or user's manual for more detailed description.

### 1.4 Modification of EUT

No modifications are made to the EUT during all test items.



### 1.5 Testing Location

<b>Test Site</b>	SPORTON INTERNATIONAL (SHENZHEN) INC.	
<b>Test Site Location</b>	1F & 2F, Building A, Morning Business Center, No. 4003 ShiGu Rd., Xili Town, Nanshan District, Shenzhen, Guangdong, P. R. China TEL: +86-755-8637-9589 FAX: +86-755-8637-9595	
<b>Test Site No.</b>	<b>Sporton Site No.</b>	
	TH01-SZ	CO01-SZ
<b>Test Engineer</b>	Mygai Mo	Tao Cheng
<b>Temperature</b>	24~26°C	21~23°C
<b>Relative Humidity</b>	50~53%	41~43%

<b>Test Site</b>	SPORTON INTERNATIONAL (SHENZHEN) INC.	
<b>Test Site Location</b>	No. 3 Building, the third floor of south, Shahe River west, Fengzeyuan warehouse, Nanshan District, Shenzhen, Guangdong, P. R. China TEL: +86-755-3320-2398	
<b>Test Site No.</b>	<b>Sporton Site No.</b>	<b>FCC/IC Registration No.</b>
	03CH02-SZ	566869/4086F
<b>Test Engineer</b>	Jeff Yao	
<b>Temperature</b>	23~25°C	
<b>Relative Humidity</b>	48~52%	

**Note:** The test site complies with ANSI C63.4 2014 requirement.

### 1.6 Applicable Standards

According to the specifications of the manufacturer, the EUT must comply with the requirements of the following standards:

- ♦ FCC Part 15 Subpart C §15.225
- ♦ ANSI C63.10-2013



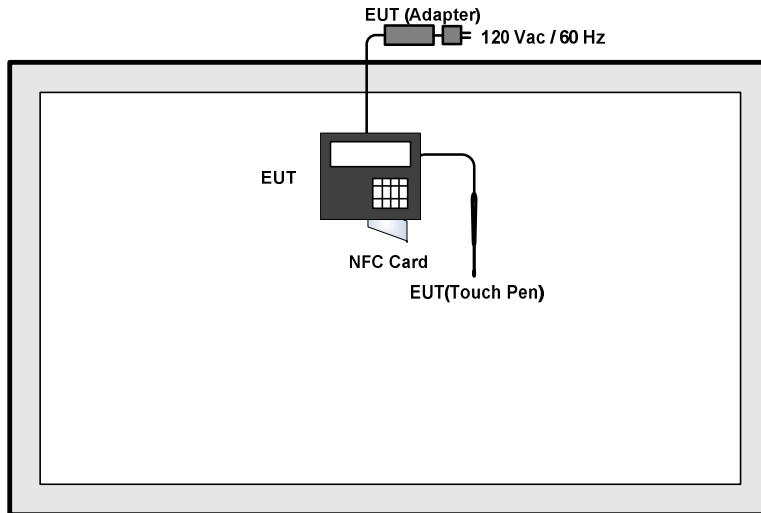
### 1.7 Test Modes

Investigation has been done on all the possible configurations for searching the worst cases. The following table is a list of the test modes shown in this test report.

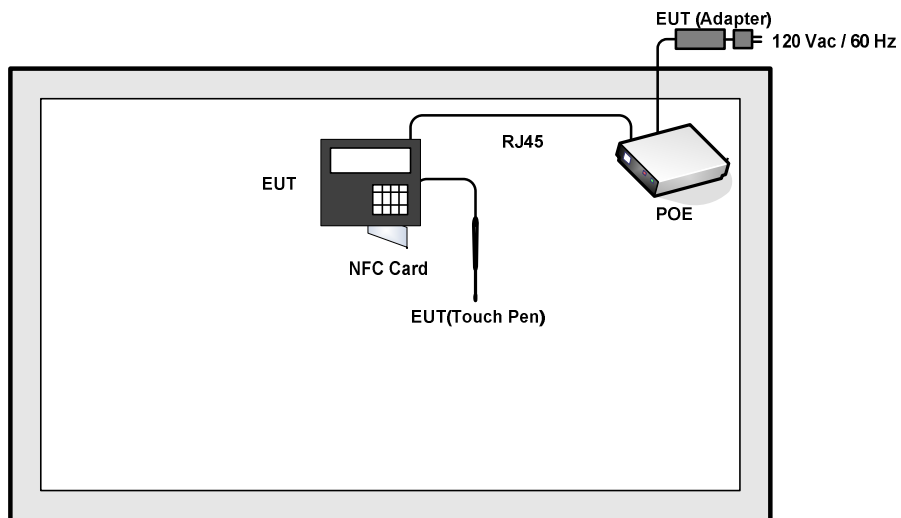
Test Items	
AC Power Line Conducted Emissions	Field Strength of Fundamental Emissions
20dB Spectrum Bandwidth	Frequency Stability
Radiated Emissions 9kHz~30MHz	Radiated Emissions 30MHz~1GHz
<b>Note:</b> 1. The EUT was programmed to be in continuously transmitting mode. 2. The ancillary equipment, NFC card, is used to make the EUT (NFC) continuously transmit at 13.56MHz and is placed around 3 cm gap to the EUT.	

## 1.8 Test Configurations

### <AC Conducted Emissions>



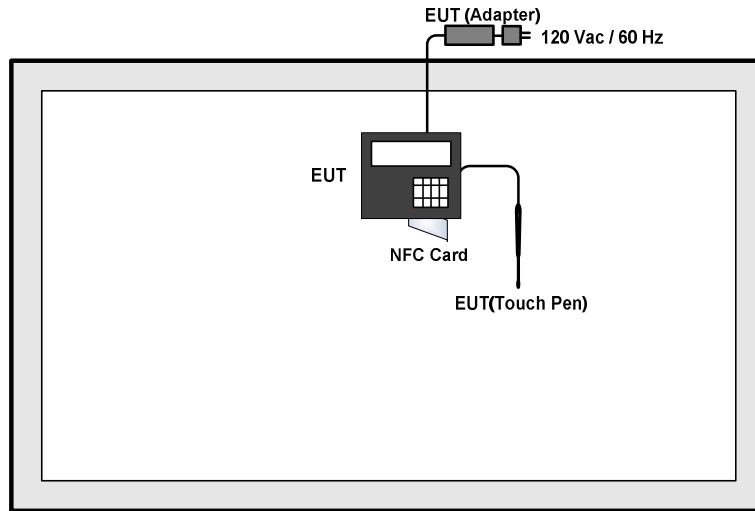
<Fig.1>



<Fig.2>



**< For Fundamental Emissions and Mask and Radiated Emissions Measurement >**



**1.9 Table for Supporting Units**

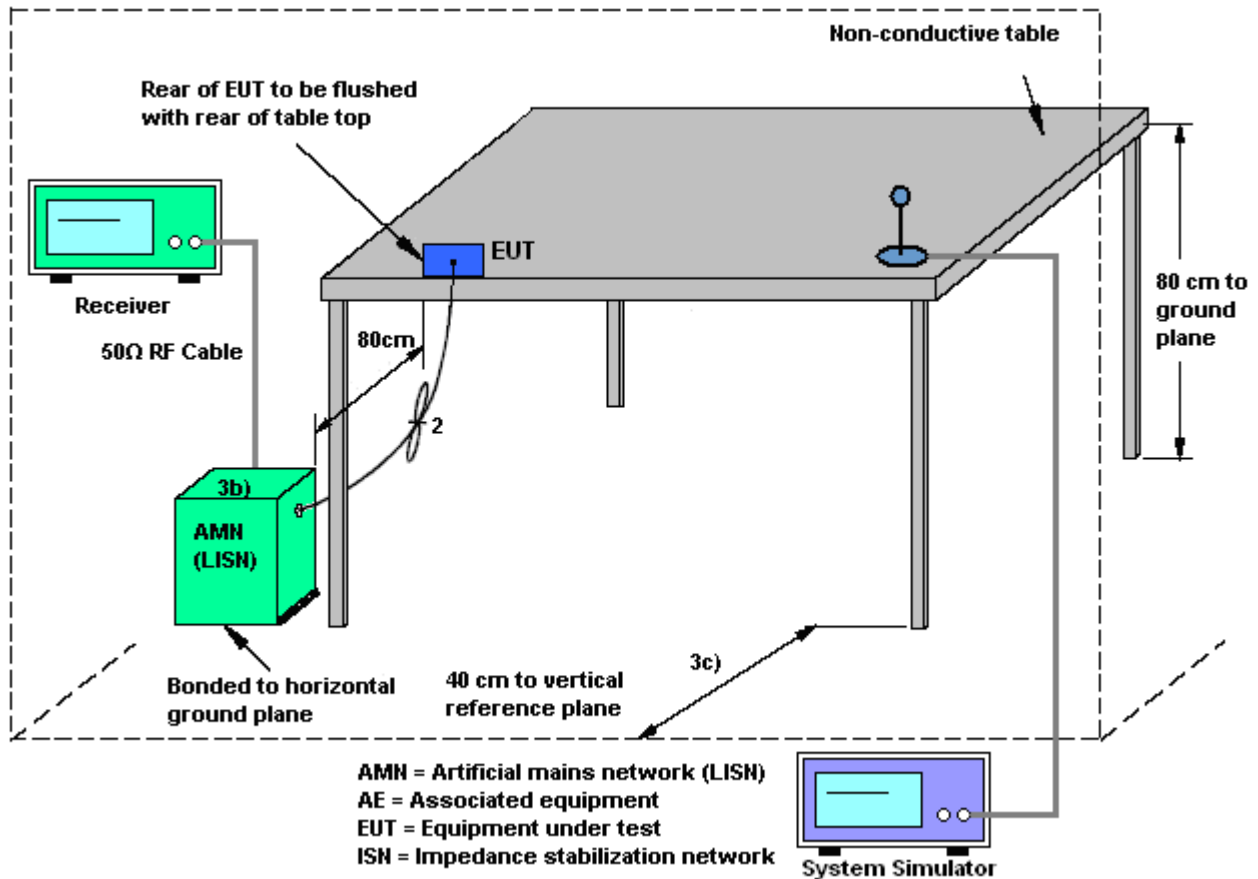
Support Unit	Manufacturer	Model	FCC ID
NFC Card	N/A	N/A	N/A
RJ45	N/A	N/A	N/A
POE	Pulian	TP-SG1008PE	Certification

## 2. CONDUCTED EMISSION TEST

### 2.1 Measuring Instruments

See list of measuring instruments of this test report.

### 2.2 Test setup



### 2.3 Test Result of Conducted Emission Test

Please refer to Appendix B.

## 2.4 AC Power Line Conducted Emissions Measurement

### 2.4.1 Limit

For equipment that is designed to be connected to the public utility (AC) power line, the radio frequency voltage that is conducted back onto the AC power line on any frequency or frequencies within the band 150 kHz to 30 MHz shall not exceed the limits in the following table.

Frequency of Emission (MHz)	Conducted Limit (dB $\mu$ V)	
	Quasi-Peak	Average
0.15-0.5	66 to 56*	56 to 46*
0.5-5	56	46
5-30	60	50

\*Decreases with the logarithm of the frequency.

### 2.4.2 Test Procedures

1. The EUT was placed 0.4 meter from the conducting wall of the shielding room, and it was kept at least 80 centimeters from any other grounded conducting surface.
2. Connect EUT to the power mains through a line impedance stabilization network (LISN).
3. All the support units are connecting to the other LISN.
4. The LISN provides 50 ohm coupling impedance for the measuring instrument.
5. The FCC states that a 50 ohm, 50 microhenry LISN should be used.
6. Both sides of AC line were checked for maximum conducted interference.
7. The frequency range from 150 kHz to 30 MHz was searched.
8. Set the test-receiver system to Peak Detect Function and specified bandwidth (IF Bandwidth = 9kHz) with Maximum Hold Mode. Then measurement is also conducted by Average Detector and Quasi-Peak Detector Function respectively.

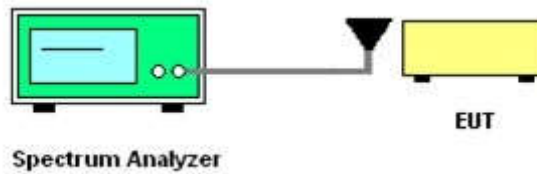
### 3. CONDUCTED TEST ITEMS

#### 3.1 Measuring Instruments

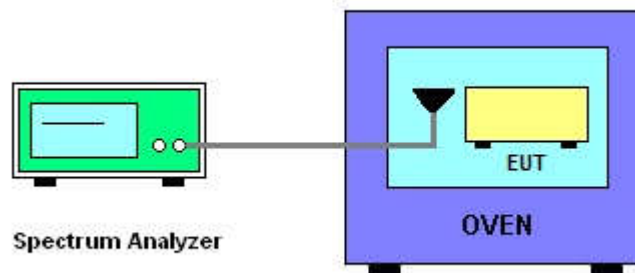
See list of measuring instruments of this test report.

#### 3.2 Test Setup

##### 3.2.1 20dB and 99% OBW Spectrum Bandwidth



##### 3.2.2 Frequency Stability



#### 3.3 Test Result of Conducted Test Items

Please refer to Appendix C.



### 3.4 20dB and 99% OBW Spectrum Bandwidth Measurement

#### 3.4.1 Limit

Intentional radiators must be designed to ensure that the 20dB and 99% emission bandwidth in the specific band 13.553~13.567MHz.

#### 3.4.2 Test Procedures

1. The spectrum analyzer connected via a receive antenna placed near the EUT in peak Max hold mode.
2. The resolution bandwidth of 1 kHz and the video bandwidth of 3 kHz were used.
3. Measured the spectrum width with power higher than 20dB below carrier.
4. Measured the 99% OBW.

### 3.5 Frequency Stability Measurement

#### 3.5.1 Limit

The frequency tolerance of the carrier signal shall be maintained within +/- 0.01% (100ppm) of the operating frequency over a temperature variation of -20 degrees to +50 degrees C at normal supply voltage, and for a variation in the primary supply voltage from 85% to 115% of the rated supply voltage at a temperature of 20 degrees C. For battery operated equipment, the equipment tests shall be performed using a new battery.

#### 3.5.2 Test Procedures

1. The spectrum analyzer connected via a receive antenna placed near the EUT.
2. EUT have transmitted signal and fixed channelize.
3. Set the spectrum analyzer span to view the entire emissions bandwidth.
4. Set RBW = 1 kHz, VBW = 3 kHz with peak detector and maxhold settings.
5. The fc is declaring of channel frequency. Then the frequency error formula is  $(f_c - f) / f_c \times 10^6$  ppm and the limit is less than  $\pm 100$ ppm.
6. Extreme temperature rule is -20°C~50°C.

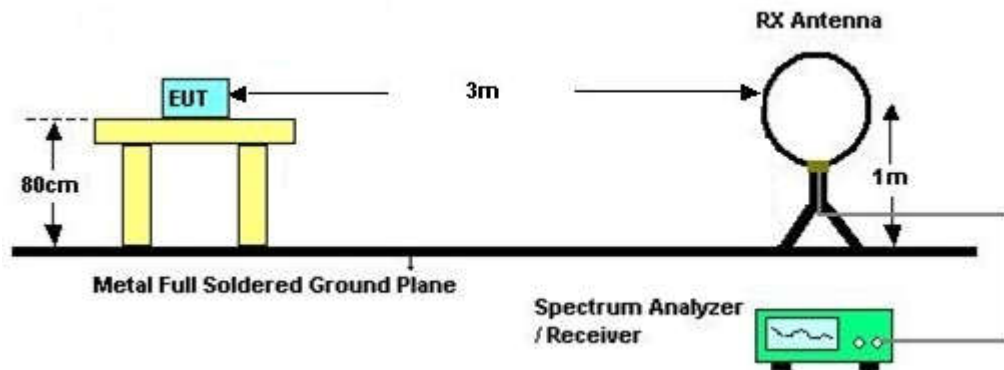
## 4. RADIATED TEST ITEMS

### 4.1 Measuring Instruments

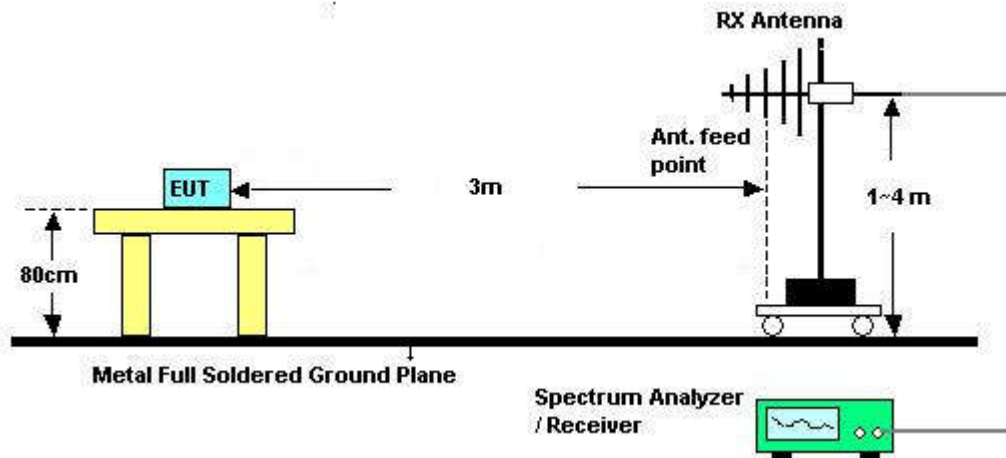
See list of measuring instruments of this test report.

### 4.2 Test Setup

#### 4.2.1 For radiated emissions below 30MHz



#### 4.2.2 For radiated emissions above 30MHz



### 4.3 Test Result of Radiated Test Items

Please refer to Appendix D.



#### 4.4 Field Strength of Fundamental Emissions and Mask Measurement

##### 4.4.1 Limit

Rules and specifications	FCC CFR 47 Part 15 section 15.225 IC RSS-210 A2.6			
	Description			
Description	Compliance with the spectrum mask is tested with RBW set to 9kHz.			
Freq. of Emission (MHz)	Field Strength (μV/m) at 30m	Field Strength (dBμV/m) at 30m	Field Strength (dBμV/m) at 10m	Field Strength (dBμV/m) at 3m
1.705~13.110	30	29.5	48.58	69.5
13.110~13.410	106	40.5	59.58	80.5
13.410~13.553	334	50.5	69.58	90.5
13.553~13.567	15848	84.0	103.08	124.0
13.567~13.710	334	50.5	69.58	90.5
13.710~14.010	106	40.5	59.58	80.5
14.010~30.000	30	29.5	48.58	69.5

##### 4.4.2 Test Procedures

1. Configure the EUT according to ANSI C63.10. The EUT was placed on the top of the turntable 0.8 meter above ground. The phase center of the loop receiving antenna mounted antenna tower was placed 3 meters far away from the turntable.
2. Power on the EUT and all the supporting units. The turntable was rotated by 360 degrees to determine the position of the highest radiation.
3. The height of the receiving antenna was fixed at one meter above ground to find the maximum emissions field strength.
4. For Fundamental emissions, use the receiver to measure QP reading.
5. When the radiated emissions limits are expressed in terms of the average value of the emissions, and pulsed operation is employed, the measurement field strength shall be determined by averaging over one complete pulse train, including blanking intervals, as long as the pulse train does not exceed 0.1 seconds. As an alternative (provided the transmitter operates for longer than 0.1 seconds) or in cases where the pulse train exceeds 0.1 seconds, the measured field strength shall be determined from the average absolute voltage during a 0.1 second interval during which the field strength is at its maximum value.
6. Compliance with the spectrum mask is tested with RBW set to 9kHz.

Note: Emission level (dBμV/m) = 20 log Emission level (μV/m).



### 4.5 Radiated Emissions Measurement

#### 4.5.1 Limit

The field strength of any emissions which appear outside of 13.110 ~14.010MHz band shall not exceed the general radiated emissions limits.

Frequencies (MHz)	Field Strength (μV/m)	Measurement Distance (meters)
0.009~0.490	2400/F(kHz)	300
0.490~1.705	24000/F(kHz)	30
1.705~30.0	30	30
30~88	100	3
88~216	150	3
216~960	200	3
Above 960	500	3

#### 4.5.2 Measuring Instrument Setting

The following table is the setting of receiver.

Receiver Parameter	Setting
Attenuation	Auto
Frequency Range: 9kHz~150kHz	RBW 200Hz for QP
Frequency Range: 150kHz~30MHz	RBW 9kHz for QP
Frequency Range: 30MHz~1000MHz	RBW 120kHz for Peak

**Note:** The emission limits shown in the above table are based on measurements employing a CISPR quasi-peak detector except for the frequency bands 9-90 kHz, 110-490 kHz. Radiated emission limits in these two bands are based on measurements employing an average detector.





### 4.5.3 Test Procedures

1. Configure the EUT according to ANSI C63.10. The EUT was placed on the top of the turntable 0.8 meter above ground. The phase center of the receiving antenna mounted on the top of a height-variable antenna tower was placed 3 meters far away from the turntable.
1. Power on the EUT and all the supporting units. The turntable was rotated by 360 degrees to determine the position of the highest radiation.
2. The height of the broadband receiving antenna was varied between one meter and four meters above ground to find the maximum emissions field strength of both horizontal and vertical polarization.
3. For each suspected emissions, the antenna tower was scan (from 1 M to 4 M) and then the turntable was rotated (from 0 degree to 360 degrees) to find the maximum reading.
4. Set the test-receiver system to Peak or CISPR quasi-peak Detect Function with specified bandwidth under Maximum Hold Mode.
5. When the radiated emissions limits are expressed in terms of the average value of the emissions, and pulsed operation is employed, the measurement field strength shall be determined by averaging over one complete pulse train, including blanking intervals, as long as the pulse train does not exceed 0.1 seconds. As an alternative (provided the transmitter operates for longer than 0.1 seconds) or in cases where the pulse train exceeds 0.1 seconds, the measured field strength shall be determined from the average absolute voltage during a 0.1 second interval during which the field strength is at its maximum value.
6. In case the emission is lower than 30MHz, loop antenna has to be used for measurement and the recorded data should be QP measured by receiver. Antenna Requirements

### 4.5.4 Limit

Except for special regulations, the Low-power Radio-frequency Devices must not be equipped with any jacket for installing an antenna with extension cable. An intentional radiator shall be designed to ensure that no antenna other than that furnished by the responsible party shall be used with the device. The use of a permanently attached antenna or of an antenna that uses a unique coupling to the intentional radiator shall be considered sufficient to comply with the provisions of this Section. The manufacturer may design the unit so that the user can replace a broken antenna, but the use of a standard antenna jack or electrical connector is prohibited.

### 4.5.5 Antenna Anti-Replacement Construction

An embedded-in antenna design is used.



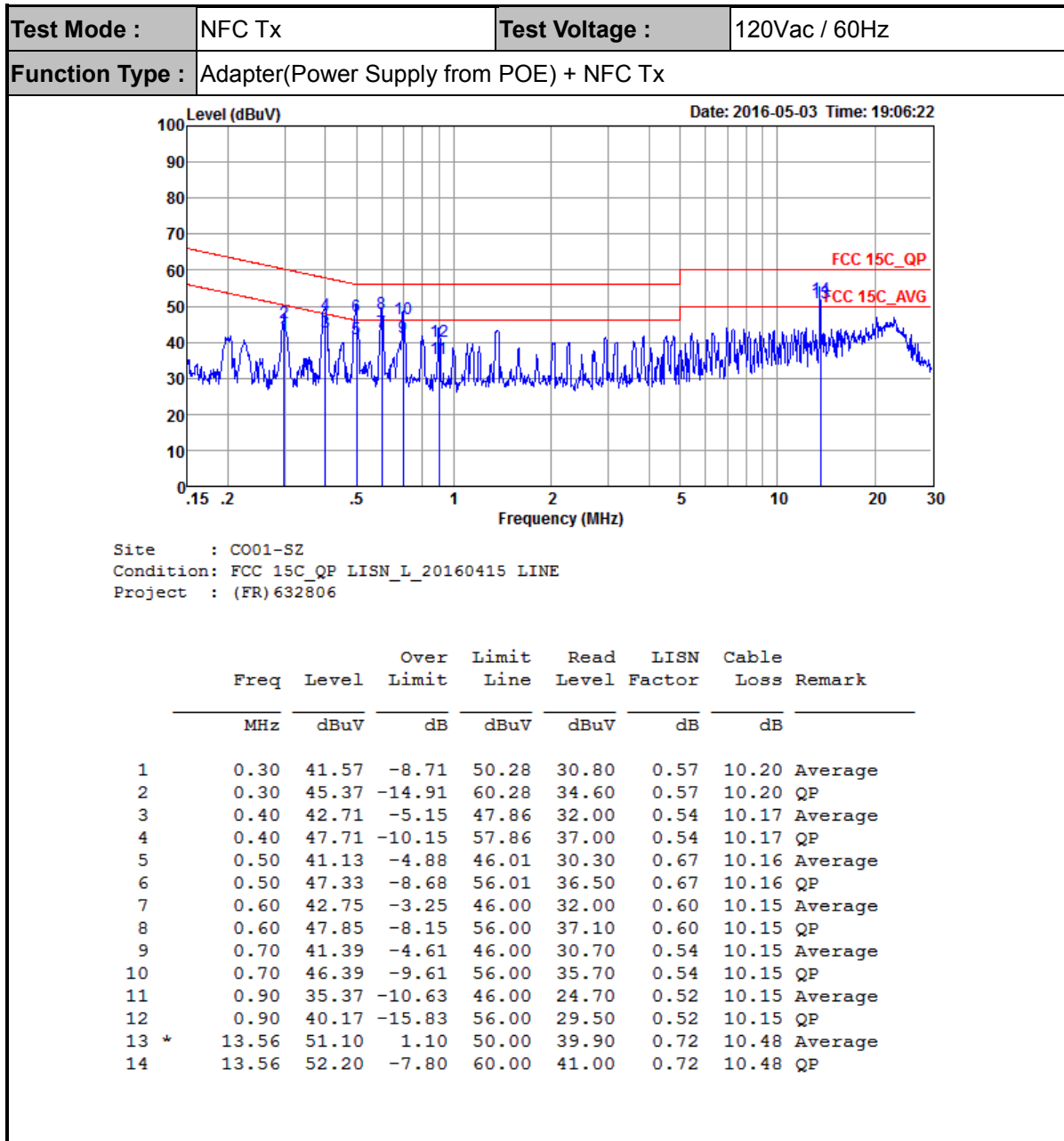
### 5. LIST OF MEASURING EQUIPMENT

Instrument	Manufacturer	Model No.	Serial No.	Characteristics	Calibration Date	Test Date	Due Date	Remark
Spectrum Analyzer	R&S	FSV40	101078	9kHz~40GHz	May 05, 2015	Apr. 08, 2016	May 04, 2016	Conducted (TH01-SZ)
Thermal Chamber	Ten Billion Hongzhangroup	LP-150U	H2014081803	-40~+150°C	Aug. 07, 2015	Apr. 08, 2016	Aug. 06, 2016	Conducted (TH01-SZ)
EMI Test Receiver&SA	Agilent Technologies	N9038A	MY52260185	20Hz~26.5GHz	May 26, 2015	Apr. 13, 2016	May 25, 2016	Radiation (03CH02-SZ)
Loop Antenna	R&S	HFH2-Z2	100354	9kHz~30MHz	May 06, 2015	Apr. 13, 2016	May 05, 2016	Radiation (03CH02-SZ)
Bilog Antenna	TeseQ	CBL6112D	35407	30MHz~2GHz	May 06, 2015	Apr. 13, 2016	May 05, 2016	Radiation (03CH02-SZ)
Amplifier	HP	8447F	3113A04622	9kHz~1300MHz / 30 dB	Aug. 07, 2015	Apr. 13, 2016	Aug. 06, 2016	Radiation (03CH02-SZ)
AC Power Source	Chroma	61601	616010002470	N/A	NCR	Apr. 13, 2016	NCR	Radiation (03CH02-SZ)
Turn Table	Chaintek	T-200	N/A	0~360 degree	NCR	Apr. 13, 2016	NCR	Radiation (03CH02-SZ)
Antenna Mast	Chaintek	MBS-400	N/A	1 m~4 m	NCR	Apr. 13, 2016	NCR	Radiation (03CH02-SZ)
EMI Test Receiver	R&S	ESR7	101404	9kHz~7GHz;Max 30dBm	Oct. 20, 2015	Apr. 15, 2016~May 03, 2016	Oct. 19, 2016	Conduction (CO01-SZ)
AC LISN	EMCO	3816/2SH	00103892	9kHz~30MHz	Jan. 12, 2016	Apr. 15, 2016~May 03, 2016	Jan. 11, 2017	Conduction (CO01-SZ)
AC LISN (for auxiliary equipment)	MessTec	3816/2SH	00103912	9kHz~30MHz	Jan. 12, 2016	Apr. 15, 2016~May 03, 2016	Jan. 11, 2017	Conduction (CO01-SZ)
AC Power Source	Chroma	61602	616020000891	100Vac~250Vac	Aug. 07, 2015	Apr. 15, 2016~May 03, 2016	Aug. 06, 2016	Conduction (CO01-SZ)
Pulse Limiter	COM-POWER	LIT-153 Transient Limiter	53139	150kHz~30MHz	Oct. 20, 2015	Apr. 15, 2016~May 03, 2016	Oct. 19, 2016	Conduction (CO01-SZ)

NCR: No Calibration Required

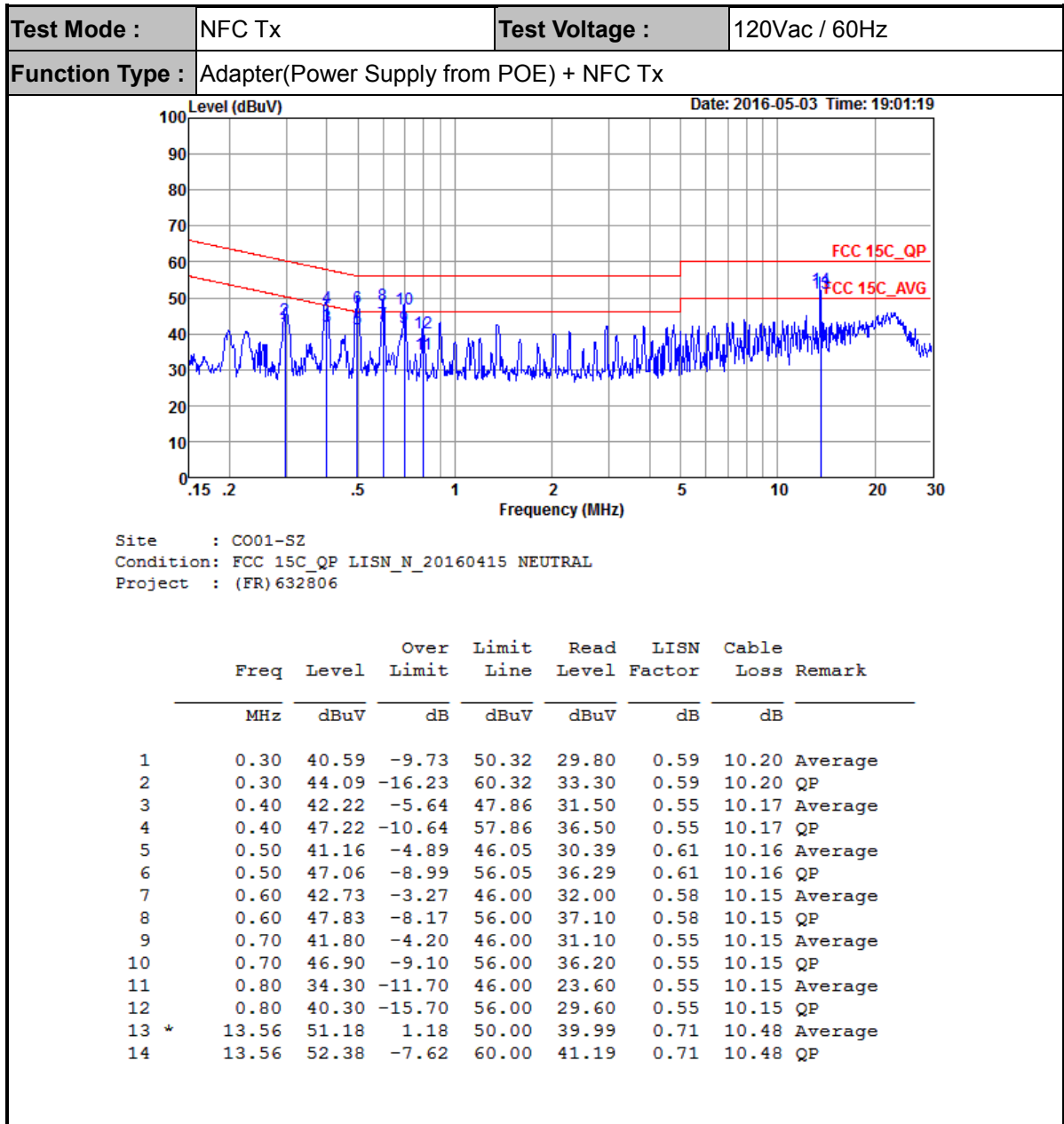


## Appendix B. Test Results of Conducted Emission Test



(1) The EUT is with NFC antenna during testing..

Remark: 13.56MHz is the NFC RF fundamental signal.



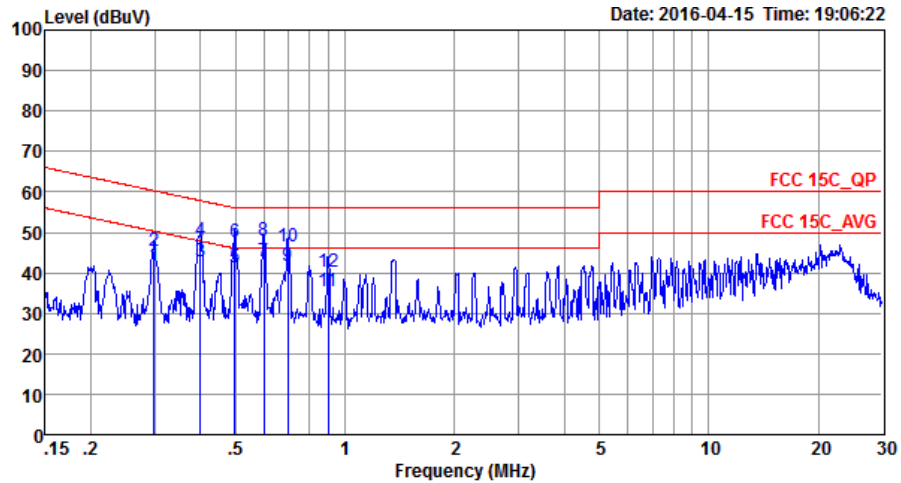
(1) The EUT is with NFC antenna during testing..

Remark: 13.56MHz is the NFC RF fundamental signal.



Test Mode :	NFC Tx	Test Voltage :	120Vac / 60Hz
-------------	--------	----------------	---------------

Function Type :	Adapter(Power Supply from POE) + NFC Tx
-----------------	---



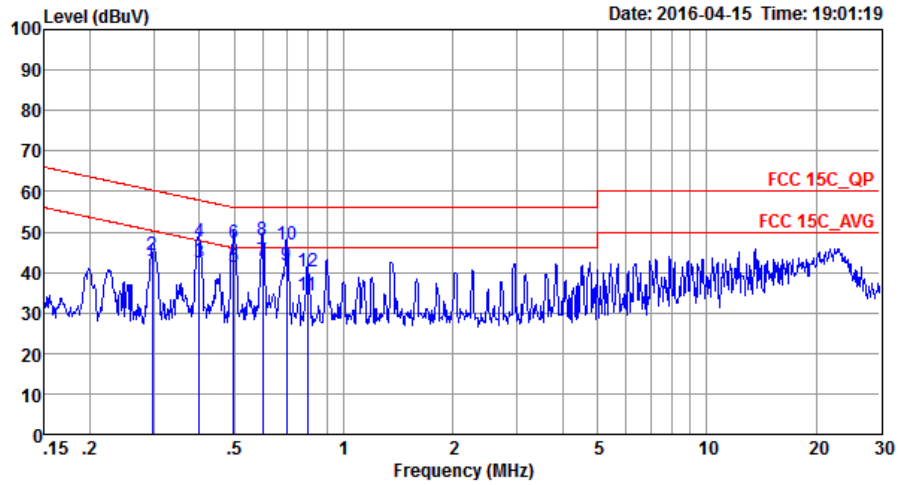
Site : C001-SZ  
 Condition: FCC 15C\_QP LISN\_L\_20160415 LINE  
 Project : (FR) 632806

	Freq	Level	Over Limit	Limit Line	Read Level	LISN Factor	Cable Loss	Remark
	MHz	dBuV	dB	dBuV	dBuV	dB	dB	
1	0.30	41.67	-8.61	50.28	30.90	0.57	10.20	Average
2	0.30	45.47	-14.81	60.28	34.70	0.57	10.20	QP
3	0.40	42.81	-5.05	47.86	32.10	0.54	10.17	Average
4	0.40	47.81	-10.05	57.86	37.10	0.54	10.17	QP
5	0.50	41.22	-4.83	46.05	30.39	0.67	10.16	Average
6	0.50	47.42	-8.63	56.05	36.59	0.67	10.16	QP
7 *	0.60	42.85	-3.15	46.00	32.10	0.60	10.15	Average
8	0.60	47.95	-8.05	56.00	37.20	0.60	10.15	QP
9	0.70	41.59	-4.41	46.00	30.90	0.54	10.15	Average
10	0.70	46.59	-9.41	56.00	35.90	0.54	10.15	QP
11	0.90	35.57	-10.43	46.00	24.90	0.52	10.15	Average
12	0.90	40.37	-15.63	56.00	29.70	0.52	10.15	QP

(2) The NFC antenna is replaced by a dummy load during test.



Test Mode :	NFC Tx	Test Voltage :	120Vac / 60Hz
Function Type :	Adapter(Power Supply from POE) + NFC Tx		



Site : C001-SZ  
 Condition: FCC 15C\_QP LISN\_N\_20160415 NEUTRAL  
 Project : (FR) 632806

	Freq	Level	Over Limit	Limit Line	Read Level	LISN Factor	Cable Loss	Remark
	MHz	dBuV	dB	dBuV	dBuV	dB	dB	
1	0.30	40.69	-9.63	50.32	29.90	0.59	10.20	Average
2	0.30	44.19	-16.13	60.32	33.40	0.59	10.20	QP
3	0.40	42.42	-5.44	47.86	31.70	0.55	10.17	Average
4	0.40	47.42	-10.44	57.86	36.70	0.55	10.17	QP
5	0.50	41.26	-4.79	46.05	30.49	0.61	10.16	Average
6	0.50	47.36	-8.69	56.05	36.59	0.61	10.16	QP
7 *	0.60	42.93	-3.07	46.00	32.20	0.58	10.15	Average
8	0.60	48.03	-7.97	56.00	37.30	0.58	10.15	QP
9	0.70	41.70	-4.30	46.00	31.00	0.55	10.15	Average
10	0.70	46.70	-9.30	56.00	36.00	0.55	10.15	QP
11	0.80	34.40	-11.60	46.00	23.70	0.55	10.15	Average
12	0.80	40.40	-15.60	56.00	29.70	0.55	10.15	QP

(2) The NFC antenna is replaced by a dummy load during test.



# Appendix C. Test Results of Conducted Test Items

## C.1 Test Result of 20dB Spectrum Bandwidth

Test mode	NFC Tx	Test Frequency (MHz)	13.56																												
<p>CF 13.56 MHz 691 pts Span 10.0 kHz</p> <table border="1"> <thead> <tr> <th>Type</th> <th>Ref</th> <th>Trc</th> <th>X-value</th> <th>Y-value</th> <th>Function</th> <th>Function Result</th> </tr> </thead> <tbody> <tr> <td>M1</td> <td>1</td> <td>1</td> <td>13.560014 MHz</td> <td>-4.84 dBm</td> <td>ndB</td> <td>2.475 kHz</td> </tr> <tr> <td>T1</td> <td>1</td> <td>1</td> <td>13.558784 MHz</td> <td>-24.67 dBm</td> <td>ndB</td> <td>20.00 dB</td> </tr> <tr> <td>T2</td> <td>1</td> <td>1</td> <td>13.561259 MHz</td> <td>-24.71 dBm</td> <td>Q factor</td> <td>5479.5</td> </tr> </tbody> </table>		Type	Ref	Trc	X-value	Y-value	Function	Function Result	M1	1	1	13.560014 MHz	-4.84 dBm	ndB	2.475 kHz	T1	1	1	13.558784 MHz	-24.67 dBm	ndB	20.00 dB	T2	1	1	13.561259 MHz	-24.71 dBm	Q factor	5479.5	<p>CF 13.56 MHz 691 pts Span 10.0 kHz</p>	
Type	Ref	Trc	X-value	Y-value	Function	Function Result																									
M1	1	1	13.560014 MHz	-4.84 dBm	ndB	2.475 kHz																									
T1	1	1	13.558784 MHz	-24.67 dBm	ndB	20.00 dB																									
T2	1	1	13.561259 MHz	-24.71 dBm	Q factor	5479.5																									
20dB Bandwidth (kHz)	2.48	99% OccupiedBW(kHz)	2.10																												
Frequency range (MHz)	$f_L > 13.553$	13.55878	Test Result																												
	$f_H < 13.567$	13.56126	Complies																												



C.2 Test Result of Frequency Stability

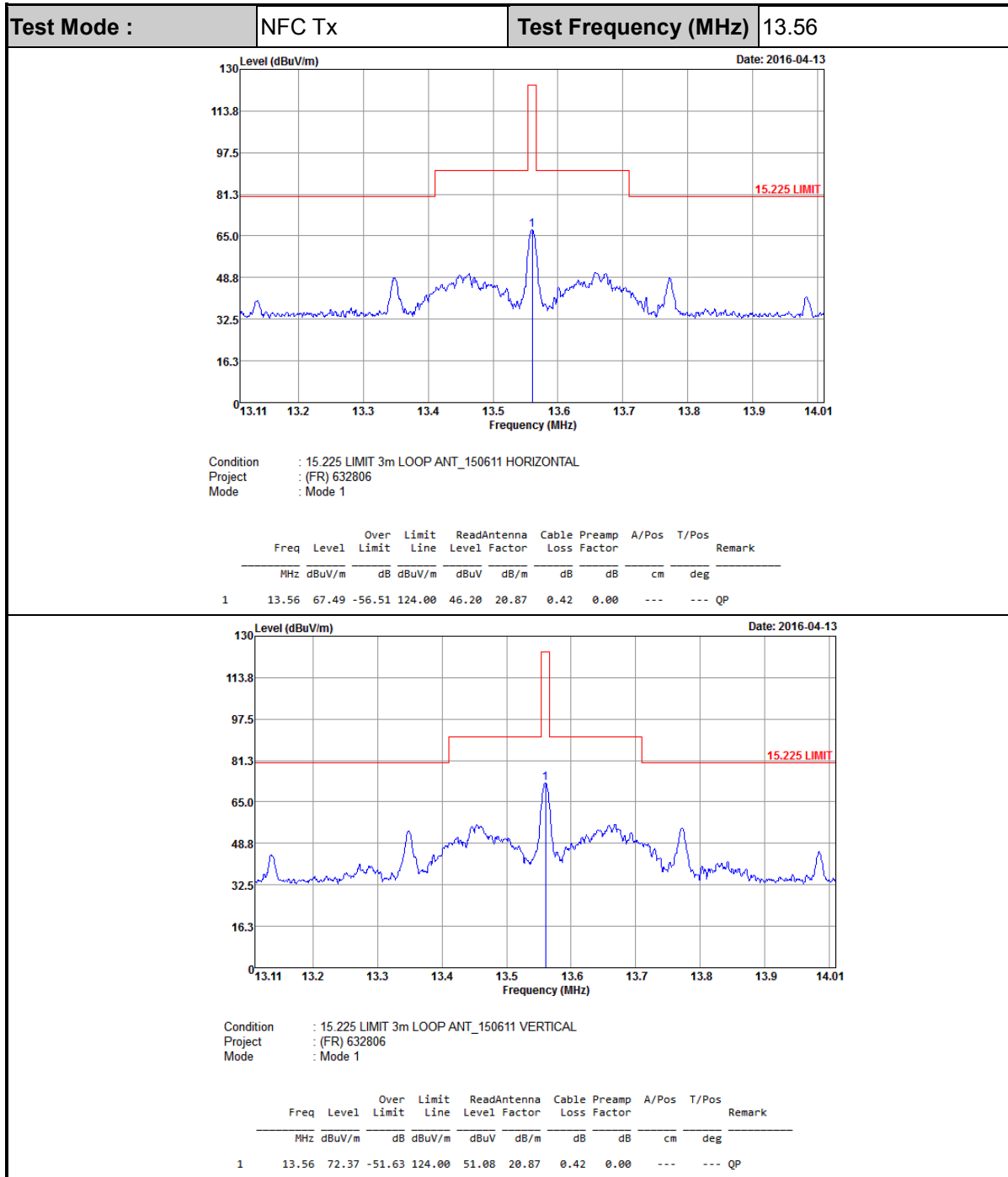
Voltage vs. Frequency Stability		Temperature vs. Frequency Stability	
Voltage (Vac)	Measurement Frequency (MHz)	Temperature (°C)	Measurement Frequency (MHz)
120	13.560022	-20	13.560094
102	13.560022	-10	13.560065
138	13.560022	0	13.560044
-	-	10	13.560022
-	-	20	13.560022
-	-	30	13.560087
-	-	40	13.560044
-	-	50	13.560015
<b>Max.Deviation (MHz)</b>	0.000021	<b>Max.Deviation (MHz)</b>	0.000094
<b>Max.Deviation (ppm)</b>	1.5855	<b>Max.Deviation (ppm)</b>	6.9322
<b>Limit</b>	<b>FS &lt; ±100 ppm</b>	<b>Limit</b>	<b>FS &lt; ±100 ppm</b>
<b>Test Result</b>	<b>PASS</b>	<b>Test Result</b>	<b>PASS</b>





## Appendix D. Test Results of Radiated Test Items

### D.1 Test Result of Field Strength of Fundamental Emissions



**Note:** All NFC's spurious emissions are below 20dB of limits.

**D.2 Results of Radiated Emissions (9 kHz~30MHz)**

Test Mode :		NFC Tx			Polarization :		Horizontal		
Frequency ( MHz )	Level ( dBμV/m )	Over Limit ( dB )	Limit Line ( dBμV/m )	Read Level (dBμV)	Antenna Factor ( dB )	Cable Loss ( dB )	Ant Pos ( cm )	Table Pos ( deg )	Remark
0.01068	58.97	-68.06	127.03	30.52	28.3	0.15	-	-	Average
0.06783	46.24	-64.74	110.98	23.19	22.9	0.15	-	-	Average
0.10107	38.79	-68.72	107.51	15.74	22.9	0.15	-	-	QP
0.12834	41.84	-63.6	105.44	18.92	22.77	0.15	-	-	Average
1.251	41.14	-24.52	65.66	19.11	21.83	0.2	-	-	QP
2.264	38.79	-31.21	70	17.01	21.57	0.21	-	-	QP
10	37.01	-32.99	70	15.35	21.3	0.36	-	-	QP
23.371	38.48	-31.52	70	15.86	22.07	0.55	-	-	QP
27.54	39.41	-30.59	70	16.2	22.61	0.6	-	-	QP

Test Mode :		NFC Tx			Polarization :		Vertical		
Frequency ( MHz )	Level ( dBμV/m )	Over Limit ( dB )	Limit Line ( dBμV/m )	Read Level (dBμV)	Antenna Factor ( dB )	Cable Loss ( dB )	Ant Pos ( cm )	Table Pos ( deg )	Remark
0.01012	58.53	-68.97	127.5	30.08	28.3	0.15	-	-	Average
0.06948	42.19	-68.58	110.77	19.14	22.9	0.15	-	-	Average
0.11898	39.5	-66.59	106.09	16.58	22.77	0.15	-	-	Average
0.1281	40.79	-64.66	105.45	17.87	22.77	0.15	-	-	Average
0.2536	48.96	-50.56	99.52	26.46	22.35	0.15	-	-	Average
5.828	39.39	-30.61	70	17.56	21.55	0.28	-	-	QP
12.712	39.09	-30.91	70	17.71	20.97	0.41	-	-	QP
23.884	38.34	-31.66	70	15.64	22.14	0.56	-	-	QP
29.375	40.25	-29.75	70	16.8	22.82	0.63	-	-	QP

**Note:**

1. 13.56 MHz is fundamental signal which can be ignored.
2. The amplitude of spurious emissions which are attenuated by more than 20dB below the permissible value has no need to be reported.
3. Distance extrapolation factor = 40 log (specific distance / test distance) (dB);
4. Limit line = specific limits (dBμV) + distance extrapolation factor.



D.3 Results of Radiated Emissions (30MHz~1GHz)

Test Mode :		NFC Tx			Polarization :		Horizontal			
Frequency ( MHz )	Level ( dBμV/m )	Over Limit ( dB )	Limit Line ( dBμV/m )	Read Level (dBμV)	Antenna Factor ( dB )	Cable Loss ( dB )	Preamp Factor ( dB )	Ant Pos ( cm )	Table Pos ( deg )	Remark
94.99	38.88	-4.62	43.5	45.74	17.8	1.14	25.8	-	-	Peak
133.79	38.56	-4.94	43.5	45.03	17.93	1.2	25.6	-	-	Peak
187.14	38.26	-5.24	43.5	46.19	15.89	1.5	25.32	-	-	Peak
351.07	40.69	-5.31	46	43.83	20.35	1.95	25.44	-	-	Peak
405.39	42.98	-3.02	46	43.53	23.26	2.03	25.84	-	-	Peak
729.37	44.94	-1.06	46	41.81	26.79	2.65	26.31	154	21	QP

Test Mode :		NFC Tx			Polarization :		Vertical			
Frequency ( MHz )	Level ( dBμV/m )	Over Limit ( dB )	Limit Line ( dBμV/m )	Read Level (dBμV)	Antenna Factor ( dB )	Cable Loss ( dB )	Preamp Factor ( dB )	Ant Pos ( cm )	Table Pos ( deg )	Remark
40.67	32.59	-7.41	40	36.77	21.08	0.75	26.01	-	-	Peak
133.79	38.51	-4.99	43.5	44.98	17.93	1.2	25.6	100	0	Peak
187.14	32.37	-11.13	43.5	40.3	15.89	1.5	25.32	-	-	Peak
405.39	38.75	-7.25	46	39.3	23.26	2.03	25.84	-	-	Peak
675.05	37.66	-8.34	46	35.54	25.9	2.61	26.39	-	-	Peak
729.37	38.55	-7.45	46	35.42	26.79	2.65	26.31	-	-	Peak

Note:

1. The amplitude of spurious emissions which are attenuated by more than 20dB below the permissible value has no need to be reported.
2. Emission level (dBμV/m) = 20 log Emission level (μV/m).
3. Corrected Reading: Antenna Factor + Cable Loss + Read Level - Preamp Factor= Level.