



*Quick Setup Guide*  
**IM15 UNATTENDED PAYMENT TERMINAL**

**PAX TECHNOLOGY LIMITED**

# 1. CONTENTS

Please make sure the following items are included with your IM15 unattended payment terminal. If any items are missing, contact your dealer.

1. 1 x IM15 Unattended Payment Terminal
2. 4 x M4 nuts
3. 4 x M4 screws
4. 1 x IM15 Mounting Bracket

# 2. PRODUCT DESCRIPTION

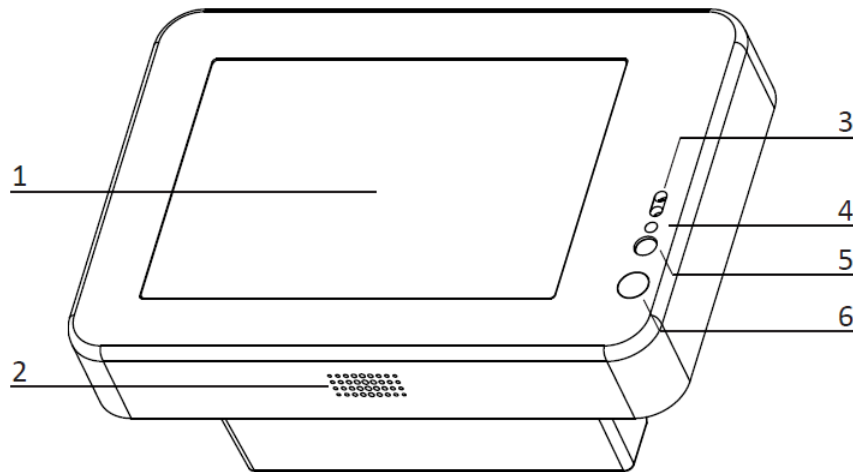


Figure 1: front view

1. LCD touchscreen
2. speaker
3. proximity and light detector
4. LED status indicator
5. camera flash LED
6. camera lens

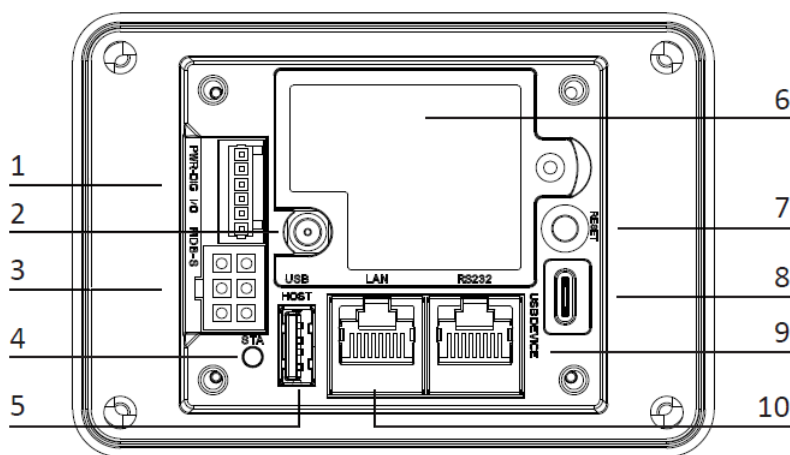


Figure 2: back view

1. Digital IO port
2. 4G antenna connector(Not include SIM card slot for configuration with only BT/WIFI/NFC or with only NFC)

3. MDB port
4. status LED
5. USB Type-A port
6. back cover
7. reset button
8. USB Type-C port
9. RJ45 port (RS233)
10. RJ45 port (Ethernet)

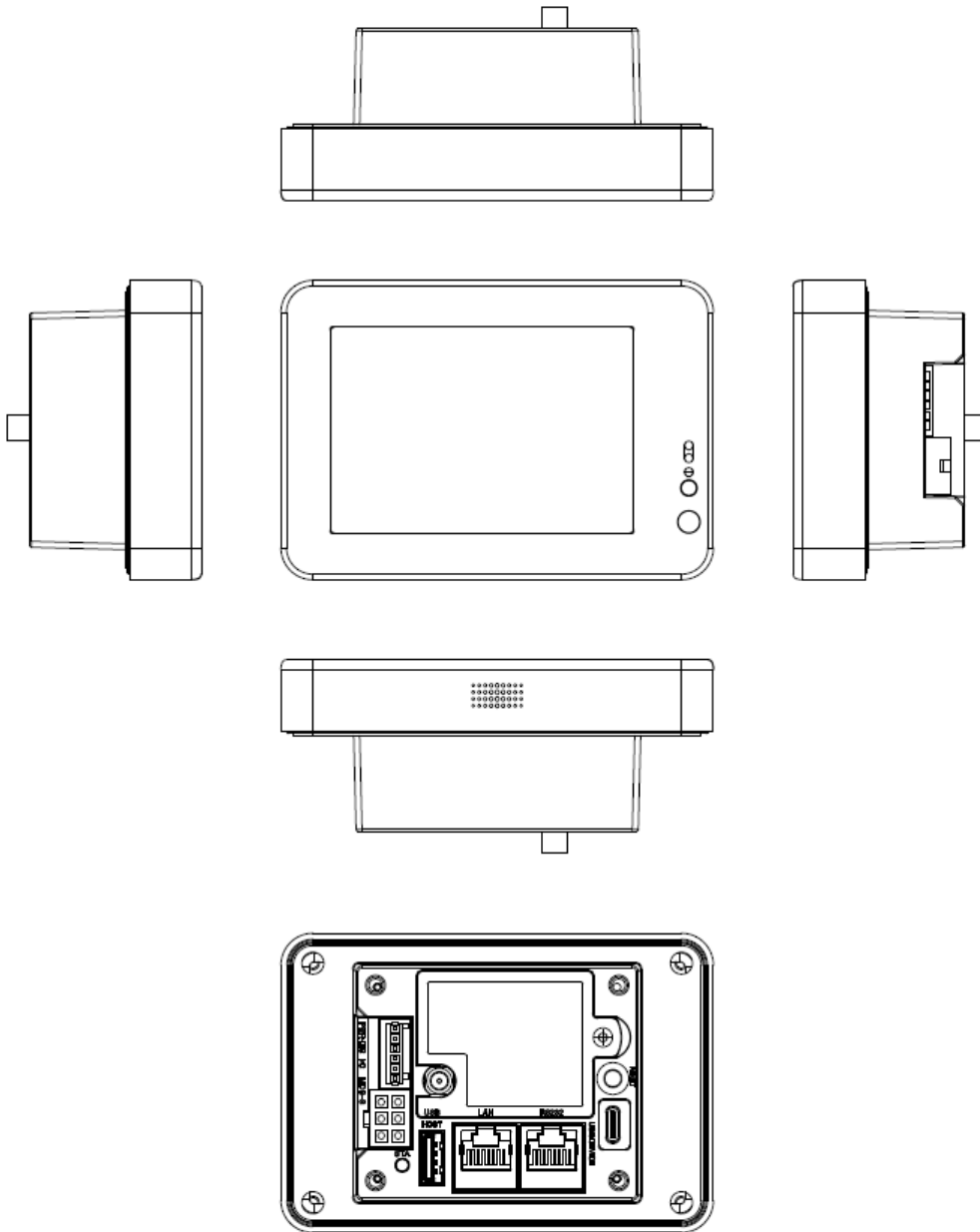


Figure 3: view from all sides

Hardware Version	RF configuration
IM154GBW	BT+Wi-Fi+NFC+LTE
IM15BW	BT+Wi-Fi+NFC
IM15	NFC

### 3. INSTALLATION

1. SIM Cards(Not include SIM card slot for configuration with only BT/WIFI/NFC or with only NFC)

Figure 4: accessing SIM card slot

Remove the back cover to reveal the 4G board. Hold the antenna connector and pull the 4G board away from the body of the IM15. Flip the 4G board over to access the SIM card slot. Open the card slot and insert the card into the slot with the contacts facing towards the 4G board and with the clipped corner of the card aligned with the slot, then lock the mount with the card inside.

2. SAM Cards

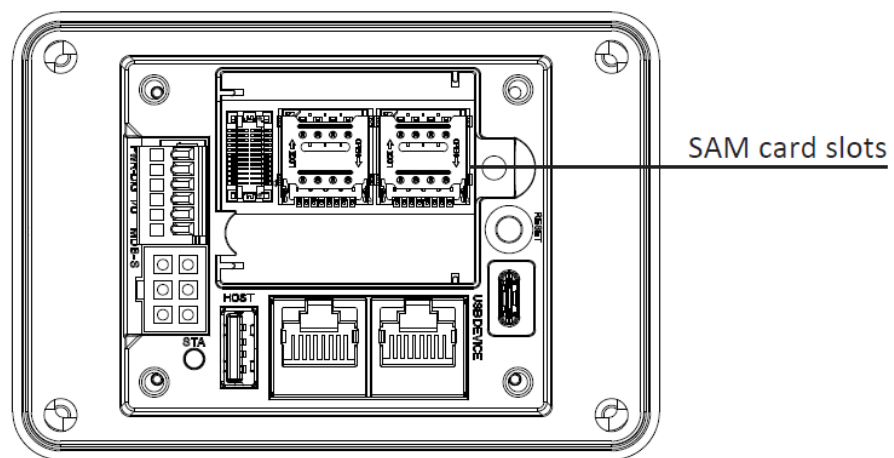


Figure 5: SAM card slots

The 2 SAM cards slots of the IM15 can be seen while the back cover and 4G board are removed. To install a SAM card, open the card slot and insert the card into the slot with the contacts facing towards the IM15 and with the clipped corner of the card aligned with the slot, then lock the mount with the card inside.

#### Note

Do not power on the IM15 while installing or removing SIM or SAM cards. To reassemble the device, slot the 4G board into the board to board connector while aligning 4 notches on the board with 4 plastic tabs on the body of the IM15, then replace the back cover and screw it in place.

3. Device Dimensions

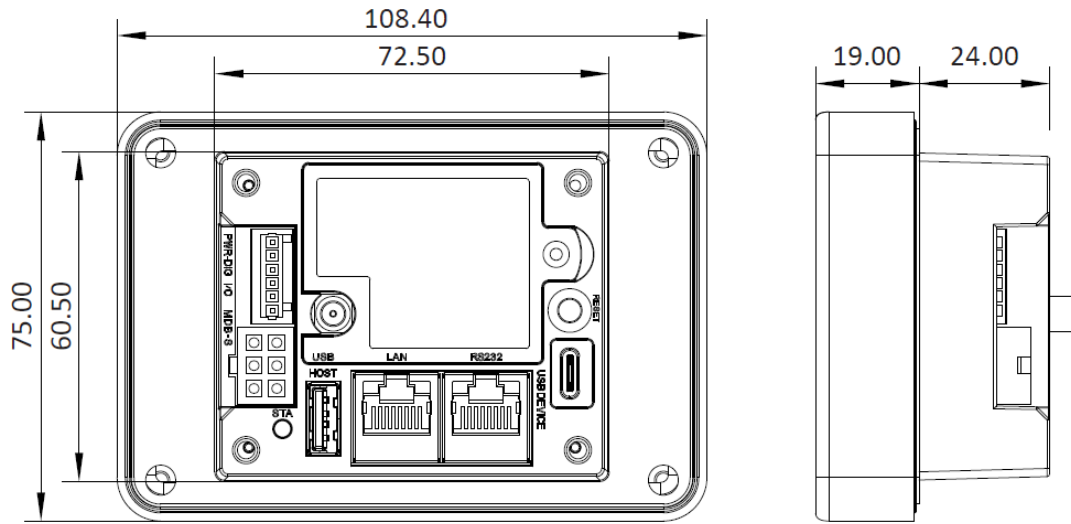


Figure 6: device dimensions (mm)

#### 4. Device Installation

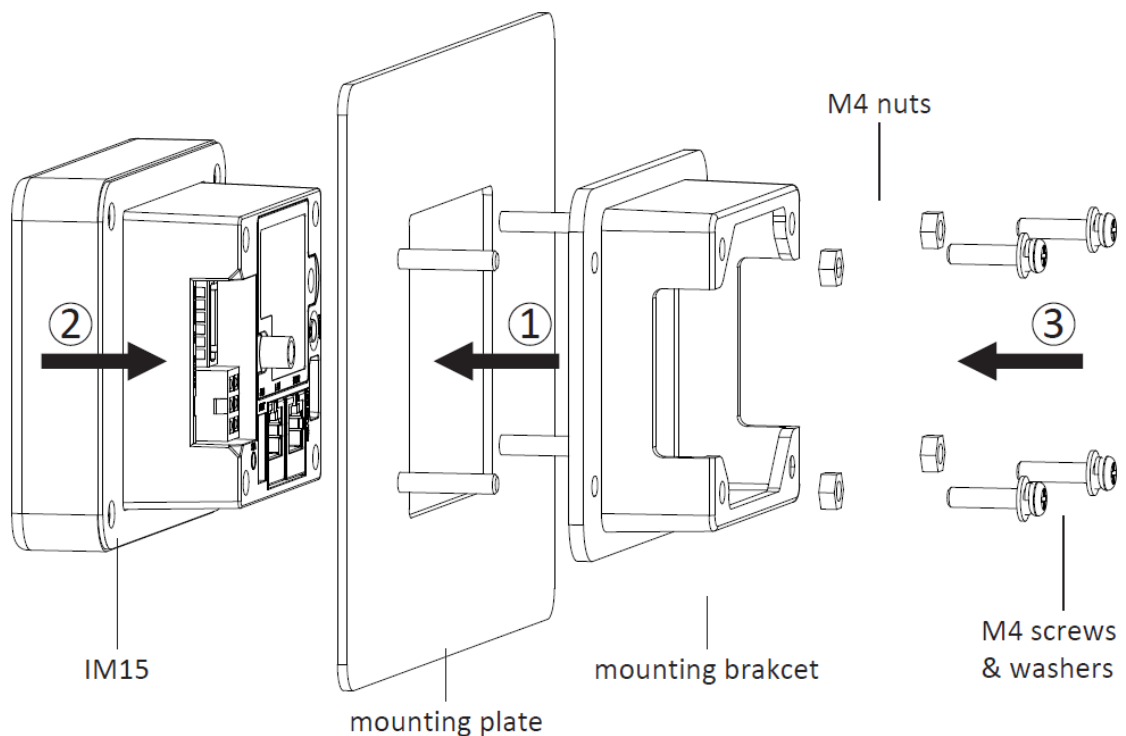


Figure 7: device installation

- 1) The back face of the installation should have four stud bolts corresponding to the mounting points located on mounting bracket. Slide the mounting bracket into place with the orientation shown in figure 7 and then fix it in place with four M4 nuts.
- 2) Slide the IM15 unit into place with the orientation shown in figure 7. The back portion of the device should rest securely inside the mounting bracket.
- 3) Apply a torque of 0.6 to 0.8 Nm to each of the four M4 screws to secure the IM15 unit to its mounting bracket.

## 4. INSTRUCTIONS

### 1. Power on/off

Power on: Plug the IM15 into an appropriate power source (12 to 48 VDC) via the MDB port, the digital IO port, or the RS232 RJ45 port.

Power off: Disconnect the IM15 from the power source it is connected to.

### 2. Contactless Transactions

When the device is ready to accept a contactless transaction, the contactless icon should appear on screen. Orient the card or NFC device parallel to the screen and then hold it at a distance of 4 cm or less directly above the contactless icon.

### 3. Code Scanner Transactions

When the device indicates on screen that it is ready to scan a 1D or 2D code, orient the code parallel to the code scanning camera and then place it directly in front of the camera.

### 4. Environmental Conditions

Storage Temperature: -30°C ~ 70°C (-22°F ~ 158°F)

Operating Temperature: -20°C ~ 70°C (-3°F ~ 158°F)

Relative Humidity: 5% ~ 95% (non-condensing)

## 5. MAINTENANCE AND USAGE

1. If any cables become damaged, seek a replacement.
2. Do not insert unknown materials into any port on the IM15, this may cause serious damage to the device.
3. Only qualified personnel should repair this product.
4. Frequency from 5150 to 5250MHz is for indoor use, during normal use IM15 surface should still be keep clear of dirt and possible liquid contaminants.
5. While the IM15 is designed to resist ingress of dust and liquids, it is not designed to resist pressurized liquids such as water hoses. Keep the back of the device away from dust and liquids as much as possible.
6. Make sure the various cables connect to provide the appropriate voltages at the proper pins.
7. If the IM15 requires repair, contact a professional technician instead of attempting them yourself

## 6. COMPLIANCE STATEMENTS

### FCC COMPLIANCE STATEMENT

This device complies with Part 15 of the FCC Rules. Operation is subject to the following two conditions:

- 1) this device may not cause harmful interference
- 2) this device must accept any interference received, including interference that may cause undesired operation.

Changes or modifications not expressly approved by the party responsible for compliance could void the user's authority to operate the equipment.

- 3) Frequency from 5150 to 5250MHz is for indoor use.

**Warning**

This equipment has been tested and found to comply with the limits for a Class B digital device, pursuant to Part 15 of the FCC Rules. These limits are designed to provide reasonable protection against harmful interference in a residential installation.

This equipment generates, uses and can radiate radio frequency energy and, if not installed and used in accordance with the instructions, may cause harmful interference to radio communications.

However, there is no guarantee that interference will not occur in a particular installation. If this equipment does cause harmful interference to radio or television reception, which can be determined by turning the equipment off and on, the user is encouraged to try to correct the interference by one of the following measures:

- Reorient or relocate the receiving antenna.
- Increase the separation between the equipment and receiver.
- Connect the equipment into an outlet on a circuit different from that to which the receiver is connected.
- Consult the dealer or an experienced radio/TV technician for help.

**Caution**

Any changes or modifications not expressly approved by the manufacturer could void the user's authority to operate this equipment.

**Radiation Exposure**

This equipment complies with FCC radiation exposure limits set forth for an uncontrolled environment. This equipment should be installed and operated with minimum distance 20cm between the radiator and your body. This transmitter must not be co-located or operating in conjunction with any other antenna or transmitter.

**INDUSTRY CANADA STATEMENT**

This device contains licence-exempt transmitter(s)/receiver(s) that comply with Innovation, Science and Economic Development Canada's licence-exempt RSS(s). Operation is subject to the following two conditions:

- 1) this device may not cause interference, and
- 2) this device must accept any interference, including interference that may cause undesired operation of the device.

Le présent appareil est conforme aux CNR d'Industrie Canada applicables aux appareils radio exempts de licence. L'exploitation est autorisée aux deux conditions suivantes:

- 1) l'appareil ne doit pas produire de brouillage, et
- 2) l'utilisateur de l'appareil doit accepter tout brouillage radioélectrique subi, même si le brouillage est susceptible d'en compromettre le fonctionnement.

The user manual for LE-LAN devices shall contain instructions related to the restrictions mentioned in the above sections, namely that

- i. the device for operation in the band 5150–5250 MHz is only for indoor use to reduce the potential for harmful interference to co-channel mobile satellite systems;
- i. le dispositif utilisé dans la bande 5150-5250 MHz est réservé à une utilisation en intérieur afin de réduire le risque de brouillage préjudiciable aux systèmes mobiles par satellite dans le même canal;

Note: The above description only applies to IM15 BW, IM15 4GBW.

This device and its antenna(s) must not be co-located or operating in conjunction with any other antenna or transmitter, except tested built-in radios.

Cet appareil et son antenne ne doivent pas être situés ou fonctionner en conjonction avec une autre antenne ou un autre émetteur, exception faites des radios intégrées qui ont été testées.

The Country Code Selection feature is disabled for products marketed in the US/Canada. La fonction de sélection de l'indicatif du pays est désactivée pour les produits commercialisés aux États-Unis et au Canada.

#### **Radiation Exposure Statement**

This equipment complies with IC radiation exposure limits set forth for an uncontrolled environment. This equipment should be installed and operated with minimum distance 20cm between the radiator & your body.

#### **Déclaration d'exposition aux radiations**

Cet équipement est conforme aux limites d'exposition aux rayonnements IC établies pour un environnement non contrôlé. Cet équipement doit être installé et utilisé avec un minimum de 20 cm de distance entre la source de rayonnement et votre corps.

## **7. INDEX OF ICONS**



do not throw away, requires professional recycling



Class II equipment



for indoor use only



energy efficiency marking (level VI)



AC voltage



DC voltage

Although PAX Computer Technology (Shenzhen) Co., Ltd. strives to maintain the accuracy of the information presented in this document, it reserves the right to change product specifications without prior notification and does not guarantee that the material presented herein will accurately reflect the set up, installation, or use of PAX products.



Manufacture: PAX Computer Technology (Shenzhen) Co. Ltd.  
Address: 4FL, Building #3, Software Park, 2nd Central Science-Tech RD, High-Tech  
Industrial Park, Shenzhen, Guangdong, PRC.  
Tel: +86 755-86169630  
Website: [www.pax.com.cn](http://www.pax.com.cn)

Responsible Party: PAX Technology Inc.  
Address: 8880 Freedom Crossing Trail, Building 400, 3rd Floor, Suite 300, Jacksonville,  
Florida 32256  
Tel: 1-877-859-0099  
Website: [www.pax.us](http://www.pax.us)