

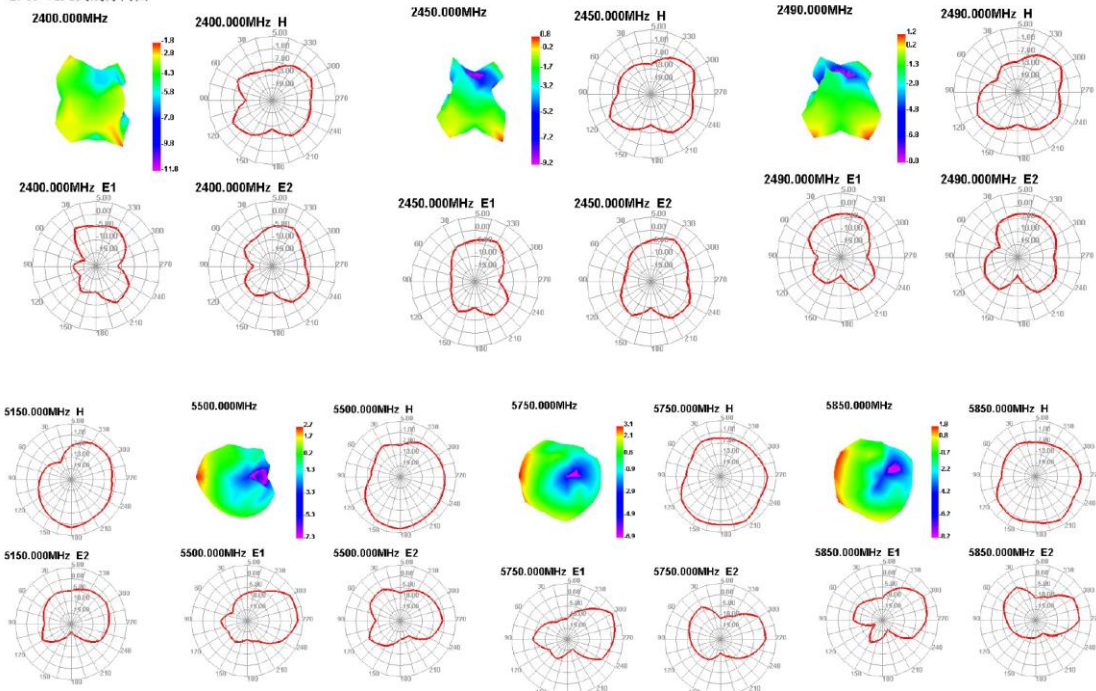
Antenna parameter:

Antenna manufacturer: Dongguan YiJia Electronics Communication Technology Co., LTD
 Manufacturer address: No.59,MuYu Road,ShaTou Community,ChangAn Town,Dongguan City,GuangDong
 Antenna M/N:IM15-WIFI

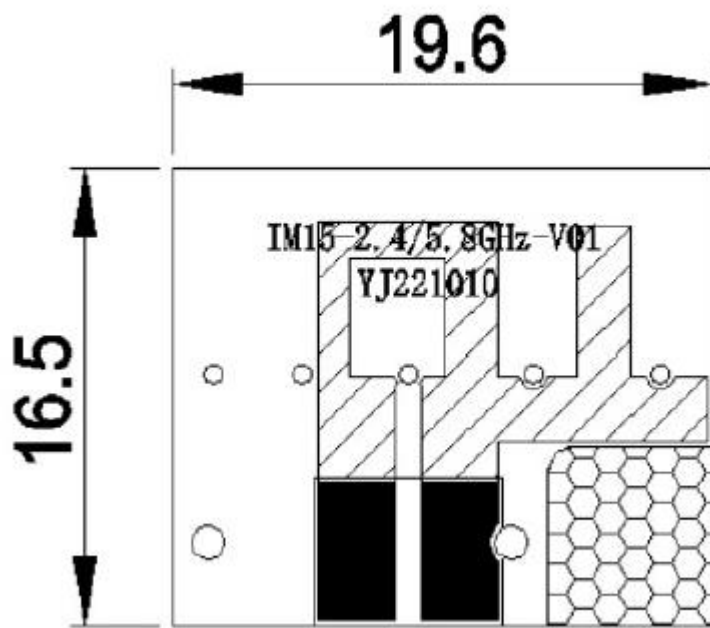
天线无源辐射效率与最大增益 (dB)
 Passive radiation efficiency and maximum gain of antenna (dB)

频率 (MHz)	辐射效率(%) Radiation efficiency (%)	辐射效率 (dB) Radiation efficiency (dB)	最大增益 (dBi) Maximum gain (dBi)	标准要求	准入要求	结论	备注
2400	34.33	-4.73	-1.82	>=40%	>=30%	PASS	
2410	34.53	-4.68	-1.53				
2420	35.17	-4.53	-0.86				
2430	36.57	-4.34	-0.36				
2440	37.03	-4.31	0.18				
2450	37.59	-4.25	0.77				
2460	38.69	-4.12	0.96				
2470	38.13	-4.19	1.14				
2480	38.2	-4.18	1.13				
2490	39.06	-4.08	1.15				
Ave.all	36.93	-4.341	0.076				
5150	28.43	-5.55	0.7	>=40%	>=30%	PASS	
5200	30.71	-5.13	1.67				
5250	28.98	-5.38	1.6				
5300	32.71	-4.85	1.65				
5350	38.72	-4.12	2.25				
5400	36.74	-4.35	2.65				
5450	39.14	-4.07	2.77				
5500	41.92	-3.86	2.72				
5550	41.28	-3.82	2.09				
5600	40.76	-3.93	1.84				
5650	44.43	-3.52	2.98				
5700	44.93	-3.59	3.4				
5750	43.29	-3.66	3.1				
5800	42.12	-3.81	1.8				
5850	40.66	-3.92	1.8				
Ave.all	38.32	-4.24	2.20				

2.4G WIFI天线方向图



WiFi antenna



Unit:mm