



Test Report No.: RF200306S021



# TEST REPORT

Applicant	PAX Technology Limited
Address	Room 2416, 24/F., Sun Hung Kai Centre, 30 Harbour Hong Kong, China

Manufacturer or Supplier	PAX Computer Technology(Shenzhen) Co. Ltd.
Address	4/F, No.3 Building, Software Park, Second Central Science-Tech Road, High-Tech industrial Park, Shenzhen, Guangdong, P.R.C.
Product Name	IM10 Unattended Payment Terminal
Brand Name	PAX
Model	IM10
Additional Model & Model Difference	N/A
FCC ID	V5PIM10BW
Date of tests	Mar. 06, 2020~ Apr. 29, 2020

the tests have been carried out according to the requirements of the following standard:

- FCC Part 15, Subpart E, Section 15.407**  
**FCC 06-96**  
**KDB 905462 D03 UNII Clients Without Radar Detection New Rules v01r02**

**CONCLUSION: The submitted sample was found to COMPLY with the test requirement**

Tested by Evans He Project Engineer / EMC Department	Approved by David Huang Supervisor/ EMC Department
Date: Apr. 30, 2020	

This report is governed by, and incorporates by reference, CPS Conditions of Service as posted at the date of issuance of this report at <http://www.bureauveritas.com/home/about-us/our-business/cps/about-us/terms-conditions/> and is intended for your exclusive use. Any copying or replication of this report to or for any other person or entity, or use of our name or trademark, is permitted only with our prior written permission. This report sets forth our findings solely with respect to the test samples identified herein. The results set forth in this report are not indicative or representative of the quality or characteristics of the lot from which a test sample was taken or any similar or identical product unless specifically and expressly noted. Our report includes all of the tests requested by you and the results thereof based upon the information that you provided to us. Measurement uncertainty is only provided upon request for accredited tests. You have 60 days from date of issuance of this report to notify us of any material error or omission caused by our negligence or if you require measurement uncertainty; provided, however, that such notice shall be in writing and shall specifically address the issue you wish to raise. A failure to raise such issue within the prescribed time shall constitute your unqualified acceptance of the completeness of this report, the tests conducted and the correctness of the report contents.

**Bureau Veritas (Shenzhen)**  
**Consumer Products Services Co., Ltd.**

Zone A, Floor 1, Building 2, Wan Ye Long Technology Park, South Side of Zhoushi Road, Bao'an District, Shenzhen Guangdong, 518108, China.

Tel: +86-755-26014629 Ext.800  
Email: [customerservice.dq@cn.bureauveritas.com](mailto:customerservice.dq@cn.bureauveritas.com)



## TABLE OF CONTENTS

RELEASE CONTROL RECORD .....	4
1 EUT INFORMATION .....	5
1.1 OPERATING FREQUENCY BANDS AND MODE OF EUT .....	5
1.2 EUT SOFTWARE AND FIRMWARE VERSION .....	5
1.3 DESCRIPTION OF AVAILABLE ANTENNAS TO THE EUT .....	5
1.4 TRANSMIT POWER CONTROL (TPC).....	6
1.5 STATEMENT OF MAUNFACTURER.....	6
2 U-NII DFS RULE REQUIREMENTS .....	7
2.1 WORKING MODES AND REQUIRED TEST ITEMS .....	7
2.2 TEST LIMITS AND RADAR SIGNAL PARAMETERS .....	8
3 TEST & SUPPORT EQUIPMENT LIST .....	11
3.1 TEST INSTRUMENTS.....	11
3.2 DESCRIPTION OF SUPPORT UNITS.....	11
4 TEST PROCEDURE.....	12
4.1 BVADT DFS MEASUREMENT SYSTEM: .....	12
4.2 CALIBRATION OF DFS DETECTION THRESHOLD LEVEL:.....	13
4.3 DEVIATION FROM TEST STANDARD.....	14
4.4 CONDUCTED TEST SETUP CONFIGURATION .....	14
4.4.1 CLIENT WITHOUT RADAR DETECTION MODE .....	14
5 TEST RESULTS .....	15
5.1 SUMMARY OF TEST RESULTS.....	15
5.2 DETAILED TEST RESULTS .....	15
5.2.1 TEST MODE: DEVICE OPERATING IN CLIENT WITHOUT RADAR DETECTION MODE ...	15
5.2.2 DFS DETECTION THRESHOLD .....	16
5.2.3 CHANNEL LOADING .....	17



**BUREAU  
VERITAS**

**Test Report No.: RF200306S021**

5.2.4 CHANNEL CLOSING TRANSMISSION AND CHANNEL MOVE TIME .....	18
5.2.5 NON- OCCUPANCY PERIOD .....	19
5.2.6 NON-ASSOCIATED TEST .....	21
5.2.7 NON- CO-CHANNEL TEST .....	21
<b>6 PHOTOGRAPHS OF THE TEST CONFIGURATION .....</b>	<b>22</b>
<b>7 APPENDIX A - MODIFICATIONS RECORDERS FOR ENGINEERING CHANGES TO THE EUT BY THE LAB .....</b>	<b>23</b>



**BUREAU**  
**VERITAS**

Test Report No.: RF200306S021

## RELEASE CONTROL RECORD

ISSUE NO.	REASON FOR CHANGE	DATE ISSUED
RF200306S021	Original release.	Apr. 30, 2020



# 1 EUT INFORMATION

## 1.1 OPERATING FREQUENCY BANDS AND MODE OF EUT

TABLE 1: OPERATING FREQUENCY BANDS AND MODE OF EUT

OPERATIONAL MODE	OPERATING FREQUENCY RANGE	
	5250~5350MHz	5470~5725MHz
Client without radar detection and ad hoc function	V	V

## 1.2 EUT SOFTWARE AND FIRMWARE VERSION

TABLE 2: THE EUT SOFTWARE/FIRMWARE VERSION

NO.	PRODUCT	MODEL NO.	SOFTWARE/FIRMWARE VERSION
1	IM10 Unattended Payment Terminal	IM10	Software Version : 5.00.xx Hardware Version : IM10-0BA-R65-0xLx

## 1.3 DESCRIPTION OF AVAILABLE ANTENNAS TO THE EUT

TABLE 3: ANTENNA LIST

ANT.	BRAND	MODEL	CONNECTOR TYPE	ANT TYPE	FREQUENCY RANGE (MHZ TO MHZ)	NET GAIN(dBi)	CABLE LOSS(dBi)
1	N/A	N/A	N/A	FPC	5250 - 5350	3	0
					5470 - 5725	3	0



#### **1.4 TRANSMIT POWER CONTROL (TPC)**

U-NII devices operating in the 5.25-5.35 GHz band and the 5.47-5.725 GHz band shall employ a TPC mechanism. The U-NII device is required to have the capability to operate at least 6 dB below the mean EIRP value of 30 dBm. A TPC mechanism is not required for systems with an EIRP of less than 500 mW.

Maximum EIRP of this device is less than 500mW, therefore it's not require TPC function.

#### **1.5 STATEMENT OF MAUNFACTURER**

This device (Client) is without radar detection, then the manufacturer statement confirming that information regarding the parameters of the detected Radar Waveforms is not available to the end user. And the device doesn't have Ad Hoc mode on DFS frequency band.



## 2 U-NII DFS RULE REQUIREMENTS

### 2.1 WORKING MODES AND REQUIRED TEST ITEMS

The manufacturer shall state whether the UUT is capable of operating as a Master and/or a Client. If the UUT is capable of operating in more than one operating mode then each operating mode shall be tested separately. See tables 1 and 2 for the applicability of DFS requirements for each of the operational modes.

TABLE 6: APPLICABILITY OF DFS REQUIREMENTS PRIOR TO USE A CHANNEL

REQUIREMENT	OPERATIONAL MODE		
	MASTER	CLIENT WITHOUT RADAR DETECTION	CLIENT WITH RADAR DETECTION
Non-Occupancy Period	✓	✓	✓
DFS Detection Threshold	✓	Not required	✓
Channel Availability Check Time	✓	Not required	Not required
Uniform Spreading	✓	Not required	Not required
U-NII Detection Bandwidth	✓	Not required	✓

TABLE 7: APPLICABILITY OF DFS REQUIREMENTS DURING NORMAL OPERATION

REQUIREMENT	OPERATIONAL MODE		
	MASTER	CLIENT WITHOUT RADAR DETECTION	CLIENT WITH RADAR DETECTION
DFS Detection Threshold	✓	Not required	✓
Channel Closing Transmission Time	✓	✓	✓
Channel Move Time	✓	✓	✓
U-NII Detection Bandwidth	✓	Not required	✓



## 2.2 TEST LIMITS AND RADAR SIGNAL PARAMETERS

### DETECTION THRESHOLD VALUES

TABLE 8: DFS DETECTION THRESHOLDS FOR MASTER DEVICES AND CLIENT DEVICES WITH RADAR DETECTION

MAXIMUM TRANSMIT POWER	VALUE (SEE Note 1 and 2)
≥ 200 milliwatt	-64 dBm
< 200 milliwatt	-62 dBm

**Note 1:** This is the level at the input of the receiver assuming a 0 dBi receive antenna.

**Note 2:** Throughout these test procedures an additional 1 dB has been added to the amplitude of the test transmission waveforms to account for variations in measurement equipment. This will ensure that the test signal is at or above the detection threshold level to trigger a DFS response.

TABLE 9: DFS RESPONSE REQUIREMENT VALUES

PARAMETER	VALUE
Non-occupancy period	Minimum 30 minutes
Channel Availability Check Time	60 seconds
Channel Move Time	10 seconds See Note 1.
Channel Closing Transmission Time	200 milliseconds + an aggregate of 60 milliseconds over remaining 10 second period. See Notes 1 and 2.
U-NII Detection Bandwidth	100% of the UNII transmission power bandwidth. See Note 3.

**Note 1:** The instant that the Channel Move Time and the Channel Closing Transmission Time begins is as follows:

- For the Short Pulse Radar Test Signals this instant is the end of the Burst.
- For the Frequency Hopping radar Test Signal, this instant is the end of the last radar Burst generated.
- For the Long Pulse Radar Test Signal this instant is the end of the 12 second period defining the Radar Waveform.

**Note 2:** The Channel Closing Transmission Time is comprised of 200 milliseconds starting at the beginning of the Channel Move Time plus any additional intermittent control signals required to facilitate a Channel move (an aggregate of 60 milliseconds) during the remainder of the 10 second period. The aggregate duration of control signals will not count quiet periods in between transmissions.

**Note 3:** During the U-NII Detection Bandwidth detection test, radar type 1 is used and for each frequency step the minimum percentage of detection is 90 percent. Measurements are performed with no data traffic.





**PARAMETERS OF DFS TEST SIGNALS**

Step intervals of 0.1 microsecond for Pulse Width, 1 microsecond for PRI, 1 MHz for chirp width and 1 for the number of pulses will be utilized for the random determination of specific test waveforms.

Table 10: Short Pulse Radar Test Waveforms

<b>Radar Type</b>	<b>Pulse Width (μsec)</b>	<b>PRI (μsec)</b>	<b>Number of Pulses</b>	<b>Minimum Percentage of Successful Detection</b>	<b>Minimum Number of Trials</b>
0	1	1428	18	See Note 1	See Note 1
1	1	Test A: 15 unique PRI values randomly selected from the list of 23 PRI values in Table 5a ----- Test B: 15 unique PRI values randomly selected within the range of 518-3066 μsec, with a minimum increment of 1 μsec, excluding PRI values selected in Test A	$\text{Roundup} \left\{ \begin{array}{l} \left( \frac{1}{360} \right) \cdot \\ \left( \frac{19 \cdot 10^6}{\text{PRI}_{\mu\text{sec}}} \right) \end{array} \right\}$	60%	30
2	1-5	150-230	23-29	60%	30
3	6-10	200-500	16-18	60%	30
4	11-20	200-500	12-16	60%	30
<b>Aggregate (Radar Types 1-4)</b>				<b>80%</b>	<b>120</b>
Note 1: Short Pulse Radar Type 0 should be used for the detection bandwidth test, channel move time, and channel closing time tests.					



**TABLE 11: LONG PULSE RADAR TEST WAVEFORM**

<b>RADAR TYPE</b>	<b>PULSE WIDTH (μsec)</b>	<b>CHIRP WIDTH (MHz)</b>	<b>PRI (μsec)</b>	<b>NUMBER OF PULSES PER BURST</b>	<b>NUMBER OF BURSTS</b>	<b>MINIMUM PERCENTAGE OF SUCCESSFUL DETECTION</b>	<b>MINIMUM NUMBER OF TRIALS</b>
5	50-100	5-20	1000-2000	1-3	8-20	80%	30

**TABLE 12: FREQUENCY HOPPING RADAR TEST WAVEFORM**

<b>RADAR TYPE</b>	<b>PULSE WIDTH (μsec)</b>	<b>PRI (μsec)</b>	<b>PULSES PER HOP</b>	<b>HOPPING RATE (kHz)</b>	<b>HOPPING SEQUENCE LENGTH (msec)</b>	<b>MINIMUM PERCENTAGE OF SUCCESSFUL DETECTION</b>	<b>MINIMUM NUMBER OF TRIALS</b>
6	1	333	9	0.333	300	70%	30



### 3 TEST & SUPPORT EQUIPMENT LIST

#### 3.1 TEST INSTRUMENTS

TABLE 1: TEST INSTRUMENTS LIST.

DESCRIPTION & MANUFACTURER	MODEL NO.	BRAND	CALIBRATED DATE	CALIBRATED UNTIL
MXA Signal Analyzer	N9020A	Agilent	Mar. 24,20	Mar. 24,21
MXG Vector Signal Generator	N5182A	Agilent	Mar. 24,20	Mar. 24,21
RF control unit	JS0806-0806-2	Toncend	Mar. 24,20	Mar. 24,21

#### 3.2 DESCRIPTION OF SUPPORT UNITS

TABLE 2: SUPPORT UNIT INFORMATION.

NO.	PRODUCT	BRAND	MODEL NO.	FCC ID	SOFTWARE/ FIRMWARE VERSION
1	wireless router	LINKSYS	WRT3200ACM	Q87-WRT3200ACM	N/A

**NOTE:** This device was functioned as a Master Slave device during the DFS test.

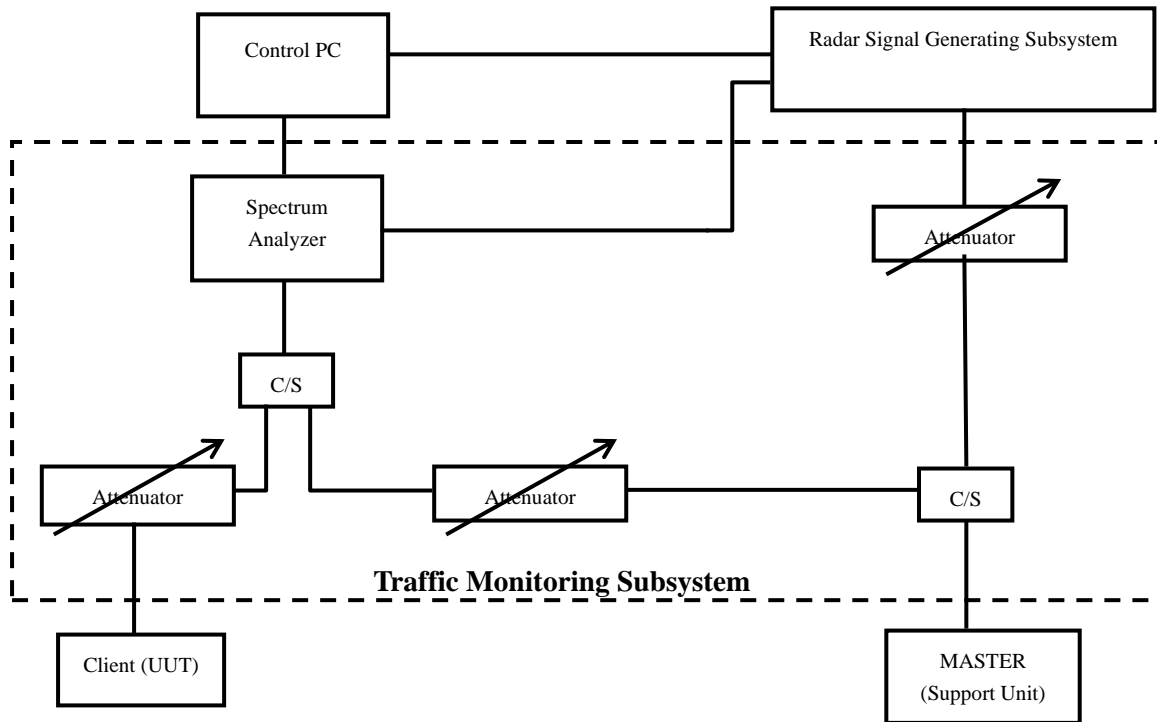


## 4 TEST PROCEDURE

### 4.1 BVADT DFS MEASUREMENT SYSTEM:

A complete DFS Measurement System consists of Radar signal generate system to generating the radar waveforms in Table 10, 11 and 12. The traffic monitoring system is specified to the type of unit under test (UUT).

Conducted setup configuration of DFS Measurement System



### Channel Loading

System testing will be performed with channel-loading using means appropriate to the data types that are used by the unlicensed device. The following requirements apply:

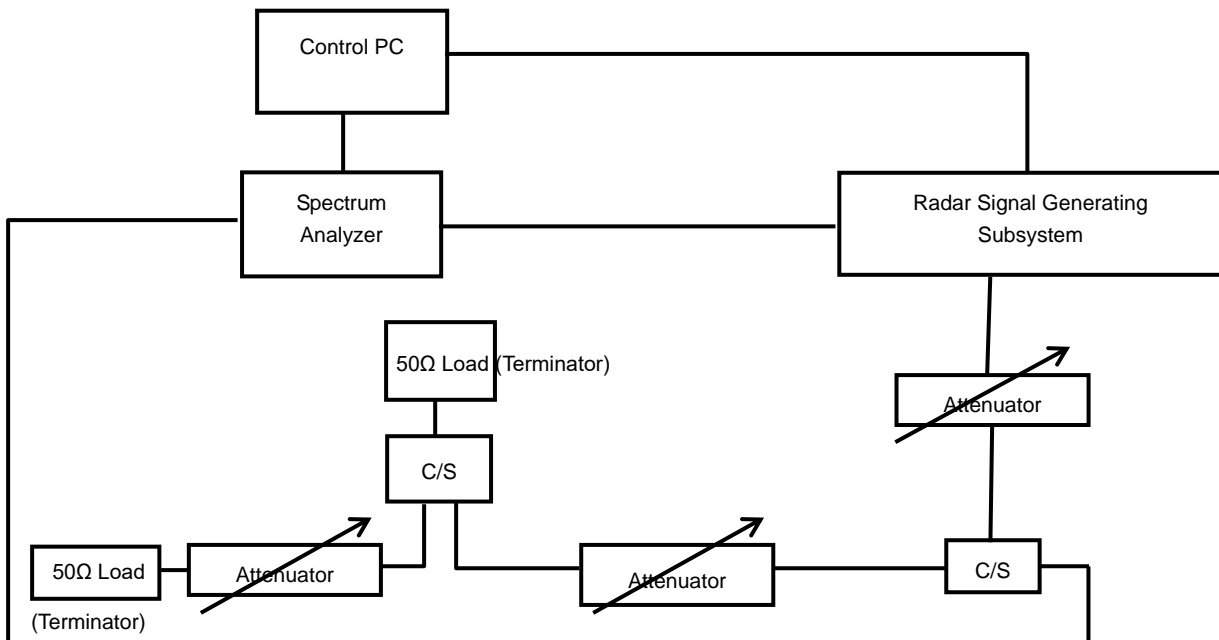
a)	The data file must be of a type that is typical for the device (i.e., MPEG-2, MPEG-4, WAV, MP3, MP4, AVI, etc.) and must generally be transmitting in a streaming mode.	
b)	Software to ping the client is permitted to simulate data transfer but must have random ping intervals.	
c)	Timing plots are required with calculations demonstrating a minimum channel loading of approximately 17% or greater.	✓
d)	Unicast or Multicast protocols are preferable but other protocols may be used. The appropriate protocol used must be described in the test procedures.	



#### 4.2 CALIBRATION OF DFS DETECTION THRESHOLD LEVEL:

The measured channel is 5320MHz and 5500 MHz in 20MHz Bandwidth, 5290MHz and 5530MHz in 80MHz Bandwidth. The radar signal was the same as transmitted channels, and injected into the antenna port of AP (master) or Client Device with Radar Detection, measured the channel closing transmission time and channel move time. The Master maximum transmit power was more than 200mW. The Master antenna gain is 3.81dBi and required detection threshold is -60.19dBm ( $=-64+3.81$ )dBm.

Conducted setup configuration of calibration of DFS detection threshold level:



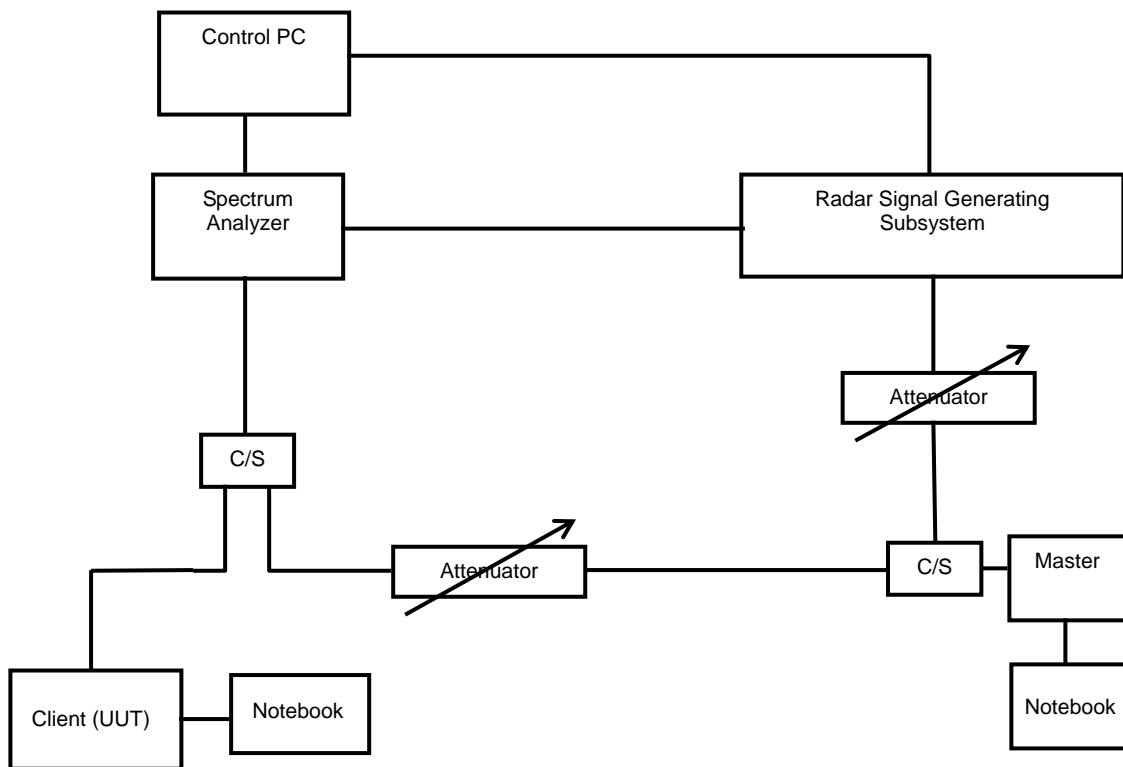


### 4.3 DEVIATION FROM TEST STANDARD

No deviation.

### 4.4 CONDUCTED TEST SETUP CONFIGURATION

#### 4.4.1 CLIENT WITHOUT RADAR DETECTION MODE



The UUT is a U-NII Device operating in Client mode without radar detection. The radar test signals are injected into the Master Device.



## 5 TEST RESULTS

### 5.1 SUMMARY OF TEST RESULTS

CLAUSE	TEST PARAMETER	REMARKS	PASS/FAIL
15.407	DFS Detection Threshold	Not Applicable	N/A
15.407	Channel Availability Check Time	Not Applicable	N/A
15.407	Channel Move Time	Applicable	Pass
15.407	Channel Closing Transmission Time	Applicable	Pass
15.407	Non- Occupancy Period	Applicable	Pass
15.407	Uniform Spreading	Not Applicable	N/A
15.407	U-NII Detection Bandwidth	Not Applicable	N/A
15.407	Non-associated test	Applicable	Pass
15.407	Non-Co-Channel test	Applicable	Pass

Note:

1. Test procedure from KDB 905462 D02 UNII DFS Compliance Procedures New Rules v01r02.

### 5.2 DETAILED TEST RESULTS

#### 5.2.1 TEST MODE: DEVICE OPERATING IN CLIENT WITHOUT RADAR DETECTION MODE

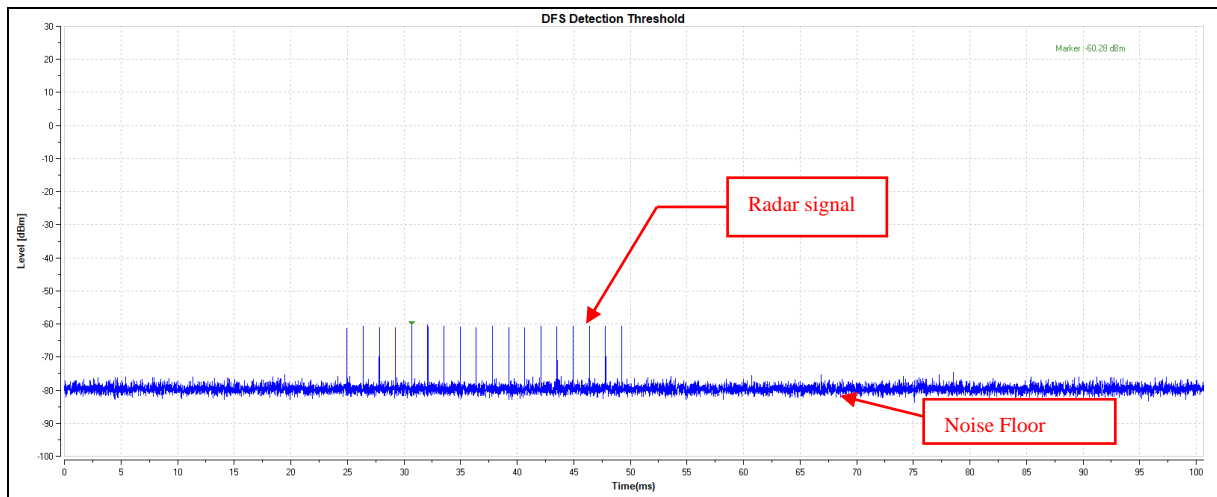
The radar test signals are injected into the Master Device.

This test was investigated for different bandwidth (20MHz, 40MHz,80MHz). The following plots was done on 20MHz as a representative



### 5.2.2 DFS DETECTION THRESHOLD

The Required detection threshold is  $-60.19\text{dBm} = -64 + 3.81\text{dBi}$ . The conducted radar burst level is set to  $-60.28\text{dBm}$ .



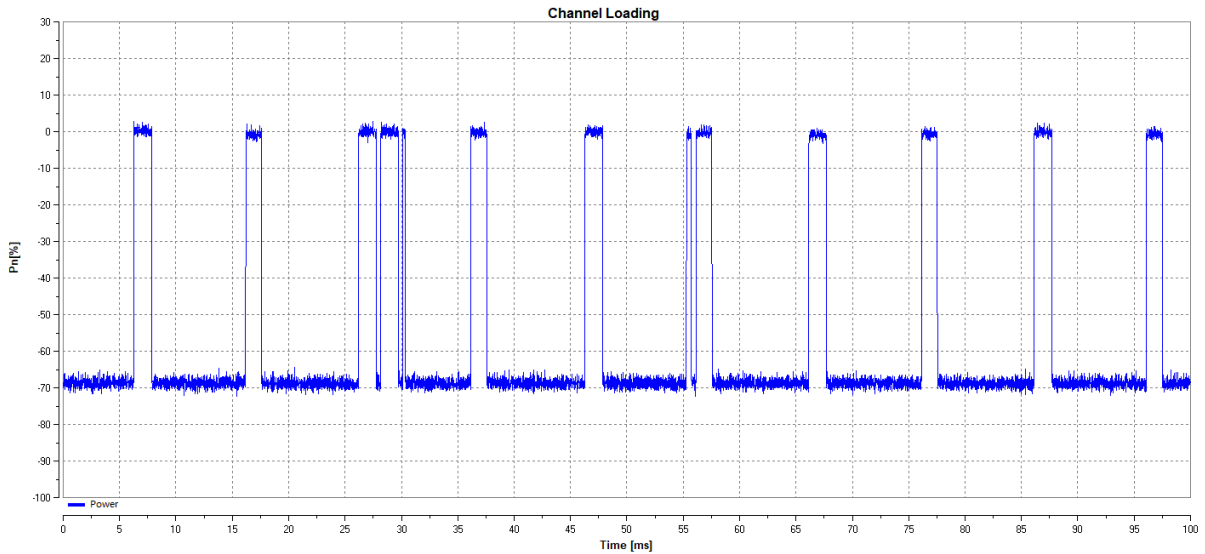
Radar Signal (Type 0)





### 5.2.3 CHANNEL LOADING

The measured channel is 5320MHz and 5500MHz in 20MHz Bandwidth and 5290MHz and 5530MHz in 80MHz Bandwidth. The radar signal was the same as transmitted channels, and injected into the antenna port of AP (master) with radar signal, measured the channel shutdown. The slave transmitted the test data to master, the transmitted duty cycle is 18.412%.

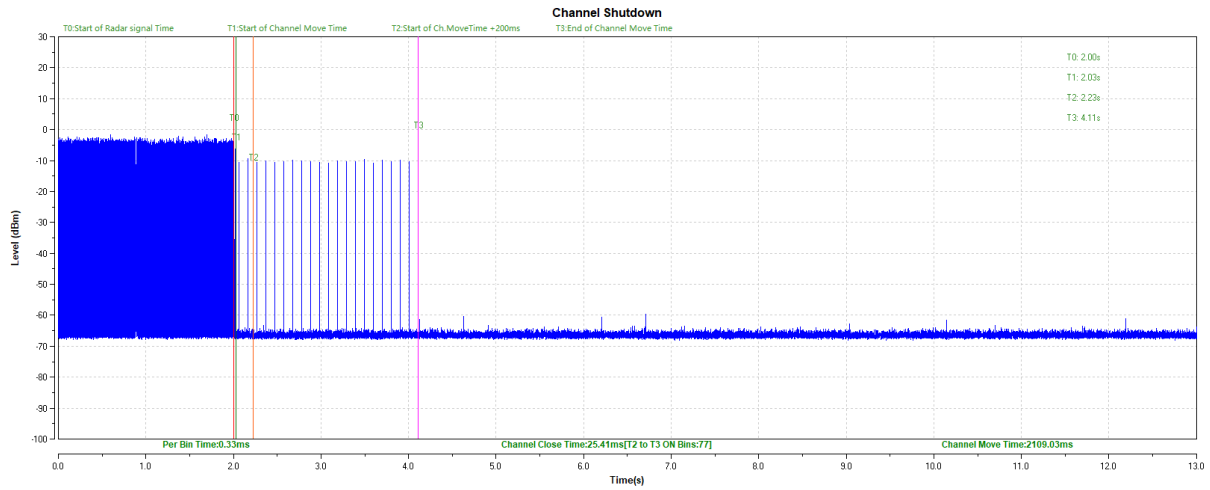


Note: Traffic signal: from slave transmit to master.



## 5.2.4 CHANNEL CLOSING TRANSMISSION AND CHANNEL MOVE TIME

### Radar Signal 0



#### NOTE:

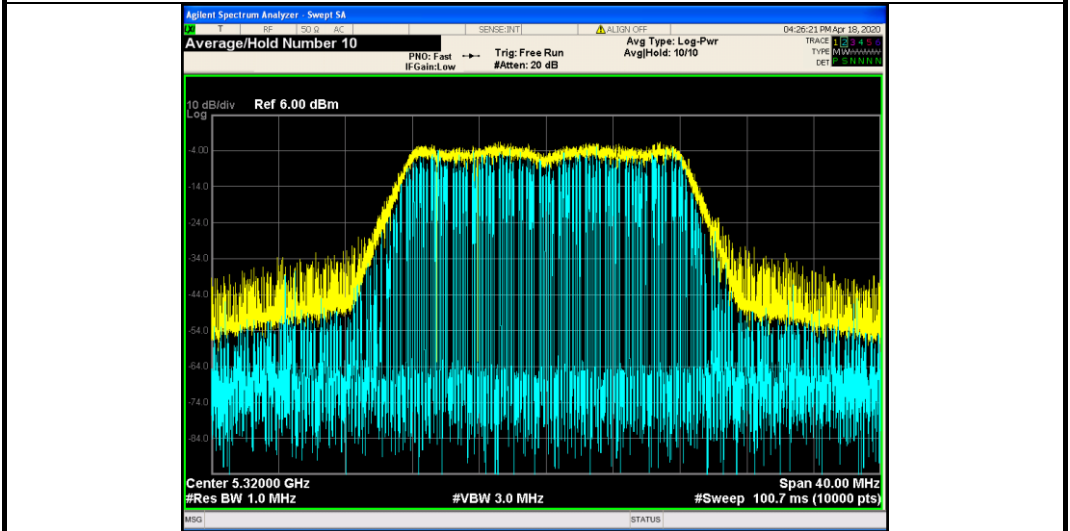
1. T1 denotes the start of Channel Move Time upon the end of the last Radar burst.
2. T2 denotes the data transmission time of 200ms from T1.
3. T3 denotes the end of Channel Move Time.
4. Channel Move Time =  $T3 - T1 = 2109.03\text{ms}$
5. Channel Close Time = Per Bin Time  $\times$  (T2 to T3 Bins) =  $25.41\text{ms}$



### 5.2.5 NON- OCCUPANCY PERIOD

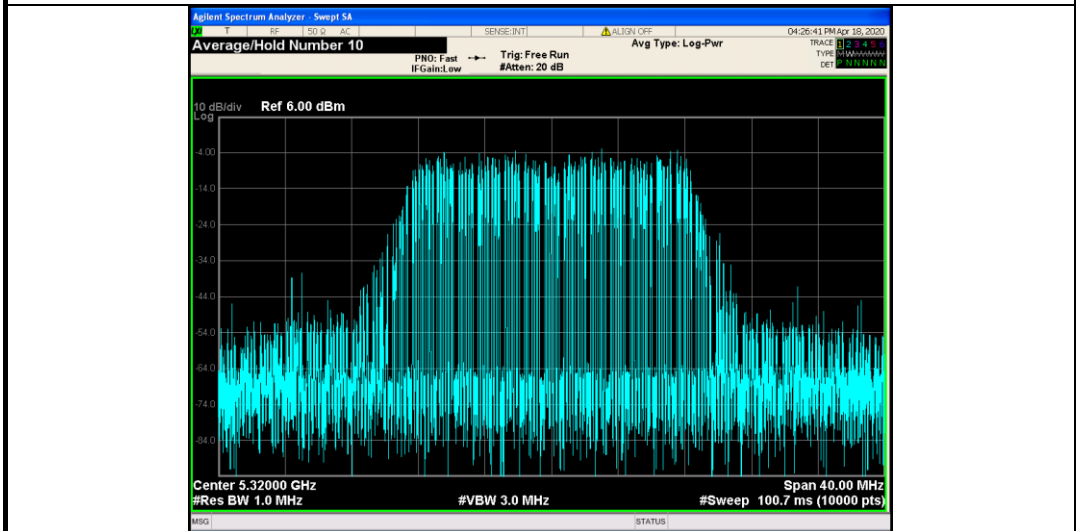
#### ASSOCIATED TEST

1) Test results demonstrating an associated client link is established with the master on a test frequency.



**EUT (Client ) links with master on 5320MHz**

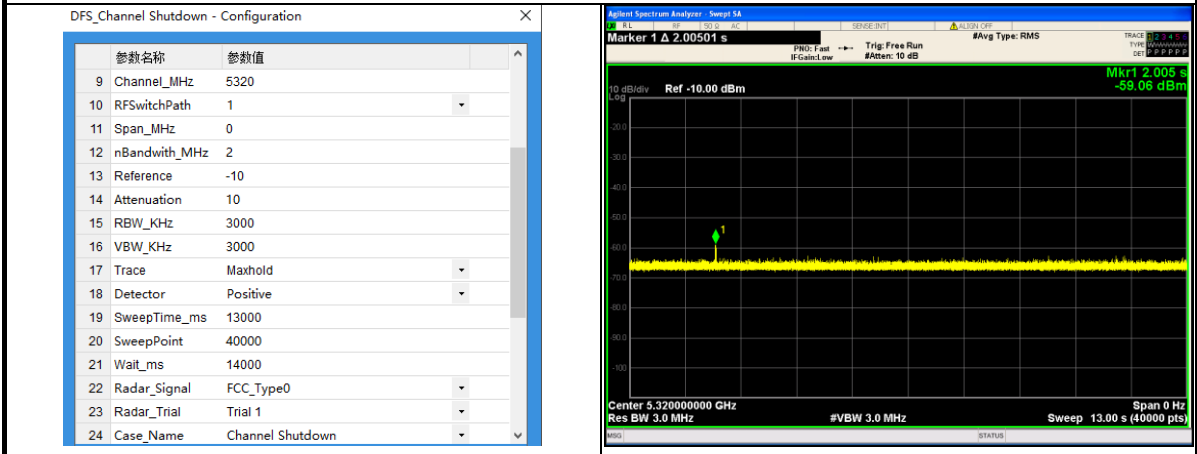
2) The client and DFS-certified master device are associated, and system testing will be performed with channel-loading for a non-occupancy period test.



**Client performed with channel-loading via master.**



3). The device transmits one type of radar as specified in the DFS Order.

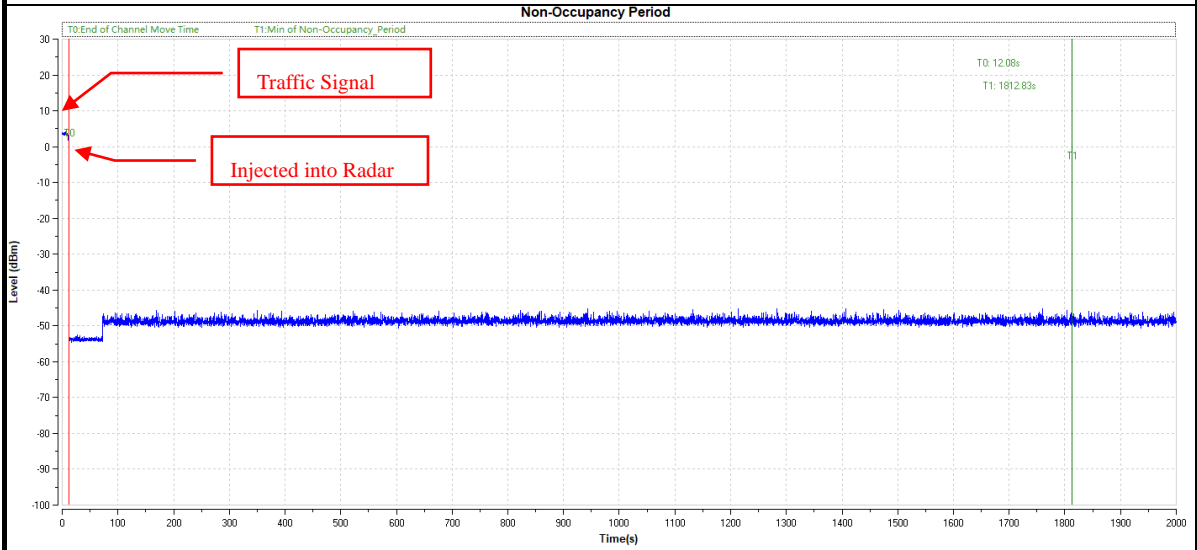


**Radar Signal (Type 0) is used to test during DFS testing.**

4) The test frequency has been monitored to ensure no transmission of any type has occurred for 30 minutes;

Note: If the client moves with the master, the device is considered compliant if nothing appears in the client non-occupancy period test. For devices that shut down (rather than moving channels), no beacons should appear;

5)An analyzer plot that contains a single 30-minute sweep on the original test frequency.

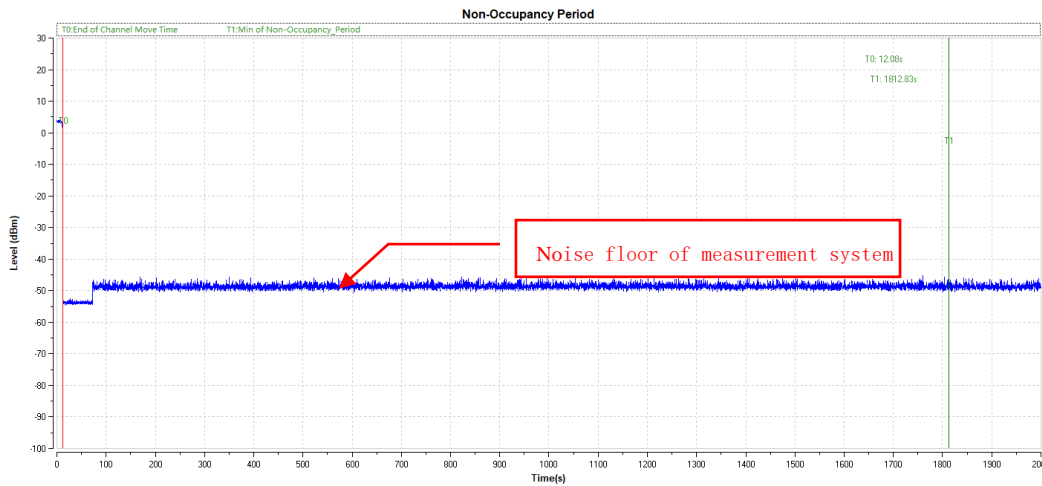




### 5.2.6 NON-ASSOCIATED TEST

Master was off.

During the 30 minutes observation time, The UUT did not make any transmissions in the DFS band after UUT power up.



### 5.2.7 NON- CO-CHANNEL TEST

The UUT was investigated after radar was detected the channel and made sure no co-channel operation with radars.



**BUREAU  
VERITAS**

Test Report No.: RF200306S021

## 6 PHOTOGRAPHS OF THE TEST CONFIGURATION

Please refer to the attached file (Test Setup Photo).



**BUREAU**  
**VERITAS**

Test Report No.: RF200306S021

## **7 APPENDIX A - Modifications recorders for engineering changes to the EUT BY THE LAB**

No any modifications are made to the EUT by the lab during the test.

**---END---**