

## Contents

- 1 Please make sure the following items are included with your IM10 unattended payment terminal. If any items are missing, contact your dealer.

Name	Quantity
IM10 Unattended Payment Terminal	1
USB 2.0 A/B Cable	1
M4 nuts	4
M4 screws	4
IM10 Mounting Bracket	1
IM10 Quick Setup Guide	1

## Product Description

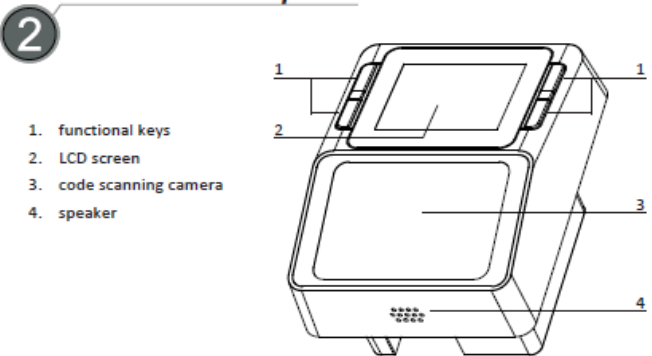


Figure 1: front view

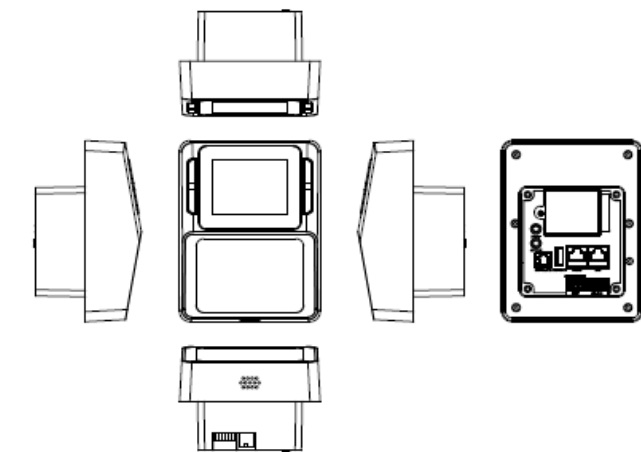


Figure 3: view from all sides

- Maintenance Key
- Settle Key
- USB Type-B port (input: 5 VDC, supplied by a power adapter or other source in compliance with USB specifications)
- MDB port (input: 12 ~ 48 VDC, supplied by an external power adapter)
- SAM card module
- USB Type-A port (output: 5 VDC, 1A)
- RS232 (RJ45)
- LAN port
- Digital IO

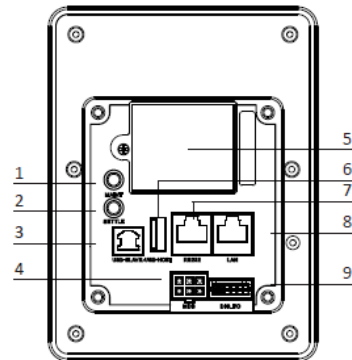


Figure 2: back view

## Installation

- 3 1) SAM Cards

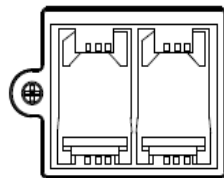


Figure 4: SAM card mounts

Unscrew the SAM card module cover to reveal the 2 mini-SIM sized SAM card slots. Open the mount and insert the card into the slot with the contacts facing towards the IM10 unit and with the clipped corner of the card to the upper right, then lock the mount with the card inside.

- 2) Device Dimensions

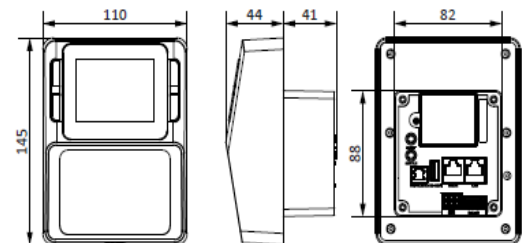


Figure 5: device dimensions (mm)

- 3) Device Installation

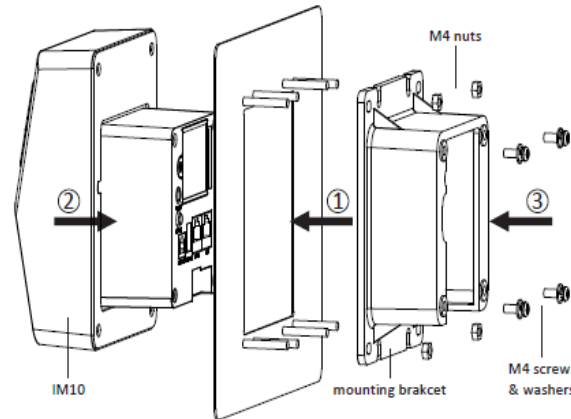


Figure 6: device installation

- The back face of the installation should have 4 to 8 bolts corresponding to the mounting points located on mounting bracket. Slide the mounting bracket into place with the orientation shown in figure 6 and then fix it in place with 4 M4 nuts.
- Slide the IM10 unit into place with the orientation shown in figure 6. The back portion of the device should rest securely inside the mounting bracket.
- Secure the IM10 unit to its mounting bracket using 4 screws and washers.  
The IM10 should be mounted at a height of no more than 2 meters from the ground.

## Instructions

- 4 1) Switching the device on and off  
Switch on: Link the IM10 to a power source via the MDB port.  
Switch off: Disconnect the IM10 from the power terminal it is connected to.
- 2) Contactless Interface  
Orient the card or NFC device parallel to the LCD screen and then place it directly above the screen.
- 3) Code Scanner Interface  
Orient the code parallel to the code scanning camera and then place it directly in front of the camera.
- 4) Environmental Conditions  
Storage Temperature: -30°C ~ 60°C (-22°F ~ 158°F)  
Working Temperature: -20°C ~ 60°C (-4°F ~ 158°F)  
Relative Humidity: 5% ~ 95% (no condensation)

While the IM10 is designed to resist ingress of dust and liquids, it is not designed to resist pressurized liquids such as water hoses. Keep the back of the device away from dust and liquids as much as possible.

Make sure the various cables connect to provide the appropriate voltages at the proper pins.

This product can't installed higher more than 2 meters.

## Maintenance and Usage

- 5 1) If any cables become damaged, seek a replacement.
- 2) Do not insert unknown materials into any port on the IM10, this may cause serious damage to the device.
- 3) If repairs are required, please contact a professional technician instead of attempting them on your own.
- 4) Input voltage should meet both the SELV (Safety Extra Low Voltage) and the Limited Power Source with 12-48 VDC according to the IEC60950-1 or IEC 62368-1 standard.



Ensure to use the attached power adaptor only and not to change the adaptor randomly.

If the product does not work properly, please contact your dealer or the nearest service center.

Never attempt to disassemble the device yourself. (We shall not assume any responsibility for problems caused by unauthorized repair or maintenance.)

During the installation and utilization of the device, please strictly conform to electrical safety rules in different nations and regions.

## Compliance Statements

**6**

### FCC COMPLIANCE STATEMENT

This device complies with Part 15 of the FCC Rules.

Operation is subject to the following two conditions:

- 1) this device may not cause harmful interference, and
- 2) this device must accept any interference received, including interference that may cause undesired operation.

### Warning

This equipment has been tested and found to comply with the limits for a Class B digital device, pursuant to Part 15 of the FCC Rules. These limits are designed to provide reasonable protection against harmful interference in a residential installation.

This equipment generates, uses and can radiate radio frequency energy and, if not installed and used in accordance with the instructions, may cause harmful interference to radio communications.

However, there is no guarantee that interference will not occur in a particular installation. If this equipment does cause harmful interference to radio or television reception, which can be determined by turning the equipment off and on, the user is encouraged to try to correct the interference by one of the following measures:

- Reorient or relocate the receiving antenna.
- Increase the separation between the equipment and receiver.
- Connect the equipment into an outlet on a circuit different from that to which the receiver is connected.
- Consult the dealer or an experienced radio/TV technician for help.

### Caution

Any changes or modifications not expressly approved by the manufacturer could void the user's authority to operate this equipment.

### Radiation Exposure

This device complies with FCC radiation exposure limits for general environments.

### INDUSTRY CANADA STATEMENT

This device complies with Industry Canada license-exempt RSS standard(s). Operation is subject to the following two conditions:

- 1) this device may not cause interference, and
- 2) this device must accept any interference, including interference that may cause undesired operation of the device.

Le présent appareil est conforme aux CNR d'Industrie Canada applicables aux appareils radio exempts de licence. L'exploitation est autorisée aux deux conditions

suivantes:

- 1) l'appareil ne doit pas produire de brouillage, et
- 2) l'utilisateur de l'appareil doit accepter tout brouillage radioélectrique subi, même si le brouillage est susceptible d'en compromettre le fonctionnement.

This device and its antenna(s) must not be co-located or operating in conjunction with any other antenna or transmitter, except tested built-in radios.

Cet appareil et son antenne ne doivent pas être situés ou fonctionner en conjonction avec une autre antenne ou un autre émetteur, exception faites des radios intégrées qui ont été testées.

The Country Code Selection feature is disabled for products marketed in the US/Canada.

La fonction de sélection de l'indicatif du pays est désactivée pour les produits commercialisés aux États-Unis et au Canada.

### Radiation Exposure Statement


This equipment complies with IC radiation exposure limits set forth for an uncontrolled environment.


### Déclaration d'exposition aux radiations:


Cet équipement est conforme aux limites d'exposition aux rayonnements IC établies pour un environnement

non contrôlé.

## Index of Icons

**7**
 do not throw away, requires professional recycling

 Class II equipment

 for indoor use only

 energy efficiency marking (level VI)

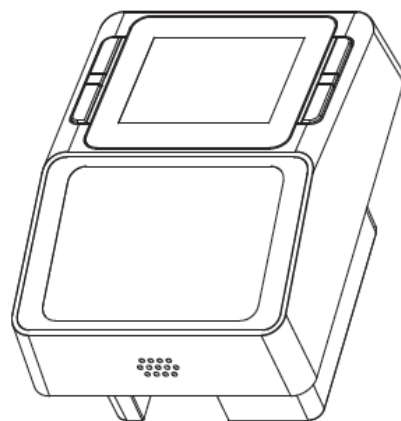
 AC voltage

 DC voltage

### CAUTION

Risk of explosion if the battery is replaced by an incorrect type. disposal of a battery into fire or a hot oven, or mechanically crushing or cutting of a battery, that can result in an explosion.

## IM10 UNATTENDED PAYMENT TERMINAL



**PAX TECHNOLOGY LIMITED reserves the right to change product specifications without prior notification.**



### PAX TECHNOLOGY LIMITED

Manufacturer: PAX Computer Technology (Shenzhen) Co., Ltd.  
 Address: 4FL, Building #3, Software Park, 2nd Central Science-Tech RD, High-Tech Industrial Park, Shenzhen, Guangdong, PRC  
 T: 0755-86169630 F: 0755-86169634  
 W: <http://www.pax.com.cn>