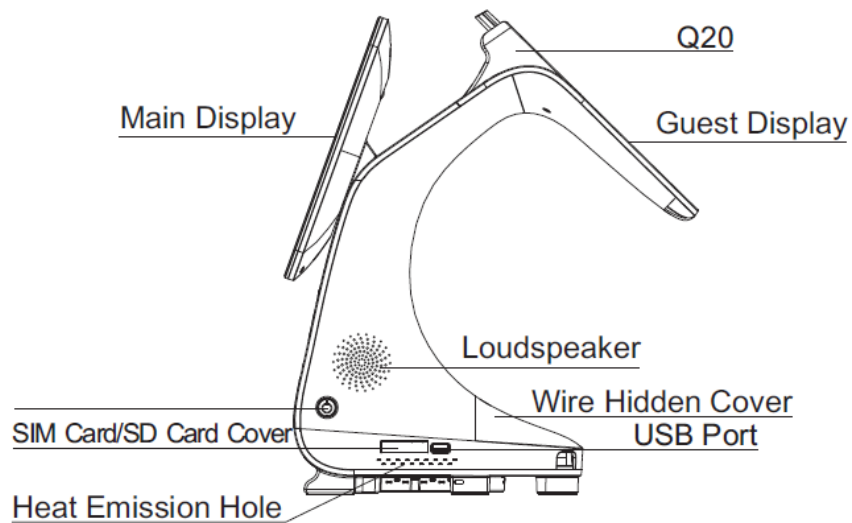
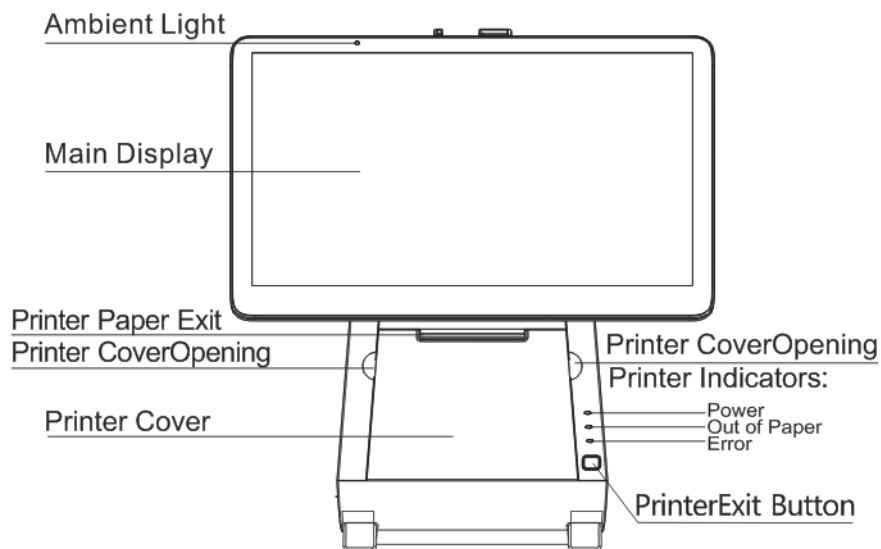


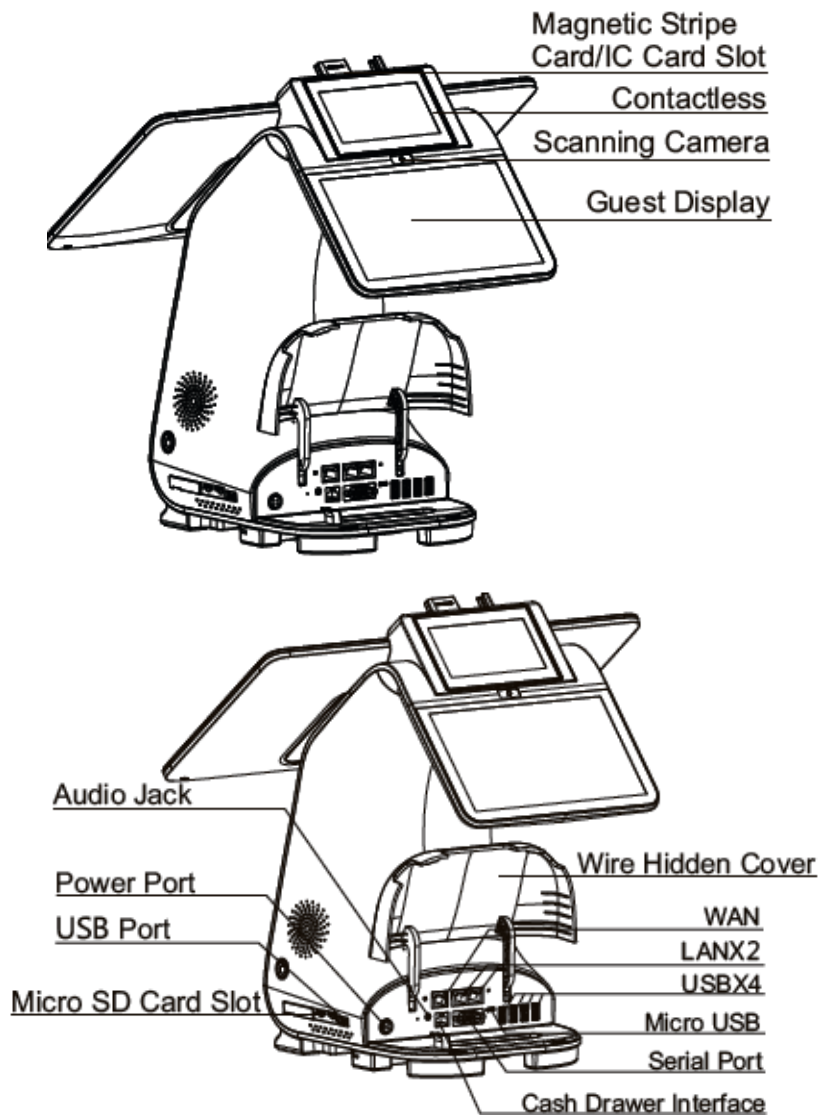
1. Contents Checklist

Please check the components after unpacking. If any one of them is missing, or if there is a page missing from the product manual,ect.,please contact the dealer.

Name	Qty.
E800	1
AC Power Adapter	1
AC Power cable	1
Thermal Paper Roll	1
Product Manual	1

2. Product Description





3. Installtion

USB port: Connect USB device.

Micro USB port: Connect Micro USB device.

Serial Port: Connect serial device.

SIM card slot: Open the SIM card/SD card cover and insert the SIM card in to the corresponding SIM card slot.

Micro SD card slot: Open the SIM card/SD card cover and insert the Micro SD card in to the corresponding Micro SD card slot.

WAN port: Open the wire hidden cover at the back of the terminal, insert the cable which is connected to the Internet into the WAN port to provide wired network for the cash register.

LAN port: If the WAN port has been connected to the Internet, then the LAN port can provide network connection.

Cash drawer interface: Open the wire hidden cover at the back of the terminal, insert the

cash drawer's port into the cash drawer interface on the cash register, so that the cash drawer is connected with the cash register.

Audio Jack: Use international standard interface.

4. Instruction

Power ON/OFF

Power on: Press and hold the Power button (on the side) for three seconds until the main screen displays normally.

Power off: Press and hold the Power button (on the side) for three seconds until the shutdown menu appears, tap "Shutdown", and then shutting..." appears. The terminal will be turned off after a few seconds.

Load the print paper: When the printer's Out of Paper indicator lights in yellow, it needs to load the print paper. Open the external printer cover by pulling it outward with fingers from the printer cover opening. Open the built-in printer cover by pressing inward the spring key. Load the paper roll by following the direction as shown in the paper warehouse, and close the printer cover. Then the indicator will light off. The paper is changed successfully. Open the external printer cover by pulling it outward with fingers. Then

Magnetic Stripe Card: Place the magnetic stripe face down (keep the magnetic stripe card perpendicular to the main display), swipe card through the magnetic card slot at a constant speed.

IC Card: Place the IC chip facedown, insert the IC card into the card slot, and push it to the end.

Contactless card: Put the contactless card on the center of the payment modulescreen.

5. Specification

Operation System: Android 6.0

CPU: Quad-core A17, 1.8GHZ processor

Memory: 2GB RAM + 16GB Flash Memory

Main Display: 15.6 inch, resolution: 1920*1080, multi-touch capacitive touch screen

Guest Display: 8 inch, resolution: 1280*800, multi-touch capacitive touch screen

Printer: 3" high-speed thermal printer with auto-cutter, printing speed: 150mm/s

Audio: Built-in speaker, support headphone output

Camera: 5 mega-pixel auto-focusing camera, high-speed code scanning

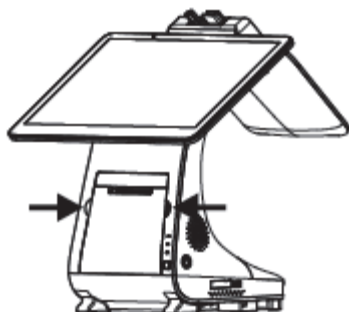
L-Sensor (Ambient Light Sensor): automatically adjust the backlight

brightness of the main display

- Wireless Communication: Support LAN, WIFI, Bluetooth,
2G/3G/4G
- Peripheral Ports:
1 Micro-USB port
5 USB ports
3 Network ports(1 WAN port, 2 LAN ports)
1 cash drawer
1 serial port
1 audio jack
- Card Slot:
1 SIM card slot
1 Micro SD card slot
1 magnetic stripe card/IC card slot, using
two-in-one (support MAG&ICC)
- Magnetic Card Reader: Support track 1/2/3.
- IC Card Reader: Conform to the standard of ISO7816,
EMV2000 L1&L2, PBOC3.0
- Contactless Card Reader: Compatible with ISO14443 Type A&B

6. Paper Installation

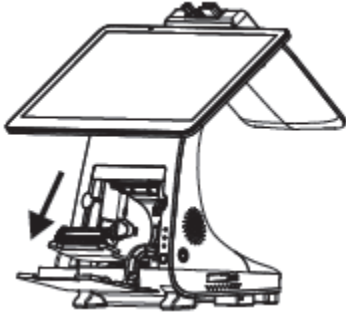
1. When the printer is out of paper, the “Out of Paper” indicator will light in yellow. Open the external printer cover by pulling it out ward with fingers from the printer cover opening(that the arrows point to).



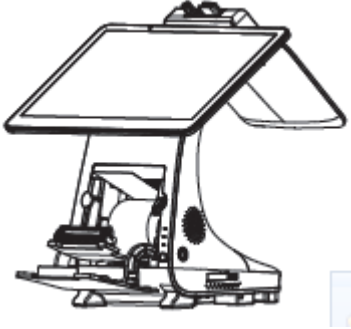
2. Open the built-in printer cover by pressing inward the spring key(that the arrow points to).



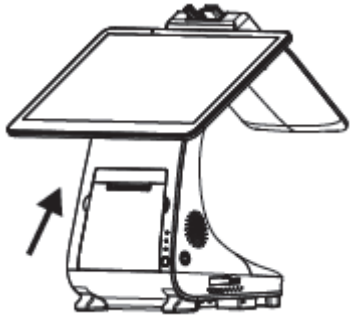
3. Open the built-in and external printer covers as shown in the figure.



4. Load the paper roll and make sure a part of paper is exposed.



5. Close the printer covers in turn. The “Out of Paper” indicator will light off. The paper is changed successfully.



7. Cautions of Installation and Usage

- 1) Avoid exposing the terminal in hot, humid, dusty or strong electromagnetic environment.
- 2) Do not violently vibrate, shake or beat the product.
- 3) Do not plug/unplug any units of the product when it is power on, otherwise it may damage the internal circuit.
- 4) Do not maintain the terminal if you are non-professional
- 5) Before inserting the magnetic stripe/IC/contactless card, please check whether there is any foreign object inside or surround the card slot , and if any , report to related personnel.
- 6) For operation within 5.15 ~ 5.25GHz frequency range, it is restricted to indoor environment

FCC Regulations:

This device complies with Part 15 of the FCC Rules. Operation is subject to the following two conditions: (1) This device may not cause harmful interference, and (2) this device must accept any interference received, including interference that may cause undesired operation.

This equipment has been tested and found to comply with the limits for a Class B digital device, pursuant to Part 15 of the FCC Rules. These limits are designed to provide reasonable protection against harmful interference in a residential installation. This equipment generates, uses and can radiate radio frequency energy and, if not installed and used in accordance with the instructions, may cause harmful interference to radio communications. However, there is no guarantee that interference will not occur in a particular installation. If this equipment does cause harmful interference to radio or television reception, which can be determined by turning the equipment off and on, the user is encouraged to try to correct the interference by one of the following measures:

- Reorient or relocate the receiving antenna.
- Increase the separation between the equipment and receiver.
- Connect the equipment into an outlet on a circuit different from that to which the receiver is connected.
- Consult the dealer or an experienced radio/TV technician for help.

FCC Caution:

- Any changes or modifications not expressly approved by the party responsible for compliance could void the user's authority to operate this equipment.
- This transmitter must not be co-located or operating in conjunction with any other antenna or transmitter.

Radiation Exposure Statement:

This equipment complies with FCC radiation exposure limits set forth for an uncontrolled environment. This equipment should be installed and operated with minimum distance 20cm between the radiator & your body.

ISED Notice

- ❶ This device complies with Industry Canada license-exempt RSS standard(s). Operation is subject to the following two conditions:
 - 1) this device may not cause interference, and
 - 2) this device must accept any interference, including interference that may cause undesired operation of the device.
- ❶ Le présent appareil est conforme aux CNR d'Industrie Canada applicables aux appareils radio exempts de licence. L'exploitation est autorisée aux deux conditions suivantes:
 - 1) l'appareil ne doit pas produire de brouillage, et
 - 2) l'utilisateur de l'appareil doit accepter tout brouillage radioélectrique subi, même si le brouillage est susceptible d'en compromettre le fonctionnement.
- ❷ This device and its antenna(s) must not be co-located or operating in conjunction with any other antenna or transmitter, except tested built-in radios.
- ❷ Cet appareil et son antenne ne doivent pas être situés ou fonctionner en conjonction avec une autre antenne ou un autre émetteur, exception faites des radios intégrées qui ont été

testées.

- ③ The County Code Selection feature is disabled for products marketed in the US/ Canada.
- ③ La fonction de sélection de l'indicatif du pays est désactivée pour les produits commercialisés aux États-Unis et au Canada.

Radiation Exposure Statement:

This equipment complies with IC radiation exposure limits set forth for an uncontrolled environment. This equipment should be installed and operated with minimum distance 20cm between the radiator & your body.

Déclaration d'exposition aux radiations:

Cet équipement est conforme aux limites d'exposition aux rayonnements IC établies pour un environnement non contrôlé. Cet équipement doit être installé et utilisé avec un minimum de 20 cm de distance entre la source de rayonnement et votre corps.