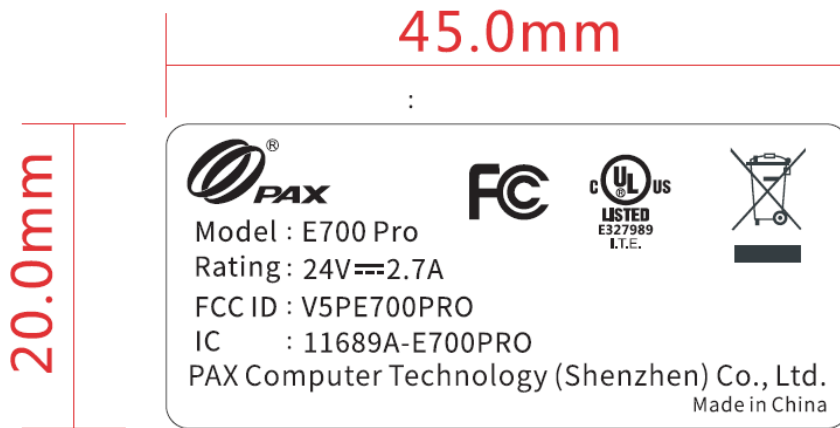
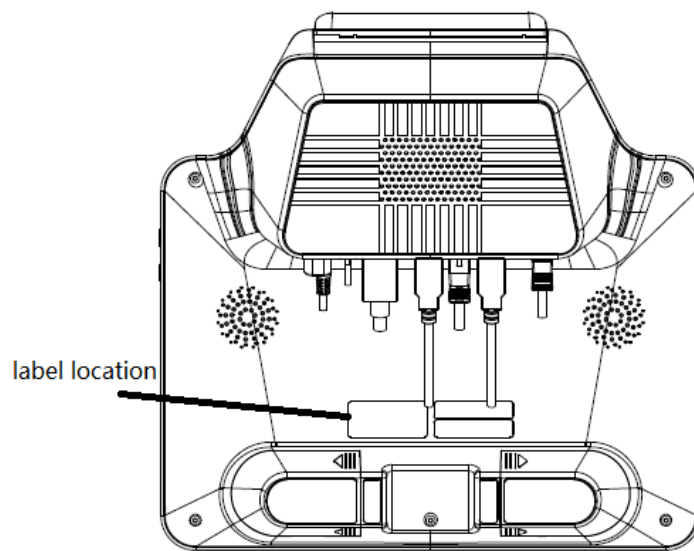


Label:



Label location:



The label is attached to the surface of the product with a permanent adhesive.