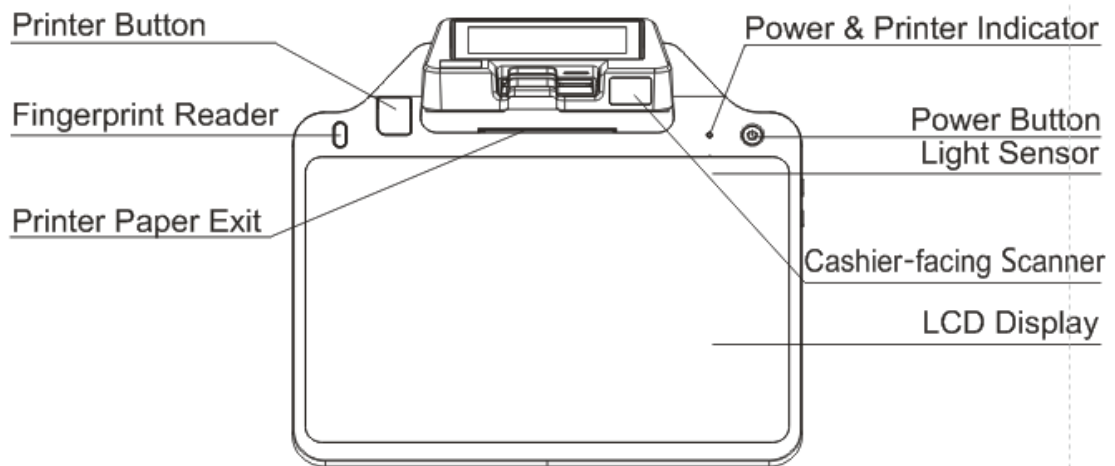


1. Contents Checklist

Please check the components after unpacking. If any are missing, please contact the dealer.

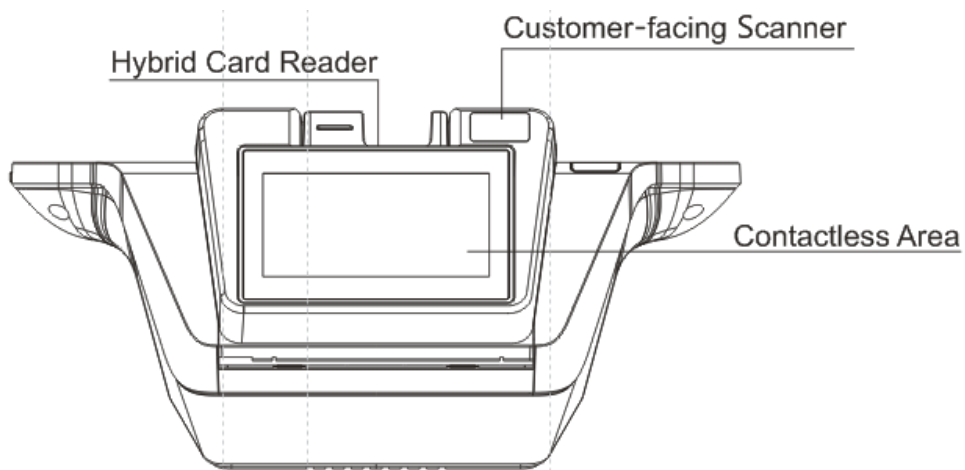
Part	Qty
E700	1
AC Power Adapter	1
AC Power Cable	1
Thermal Paper Roll	1
Quick Setup Guide	1

2. Product Description



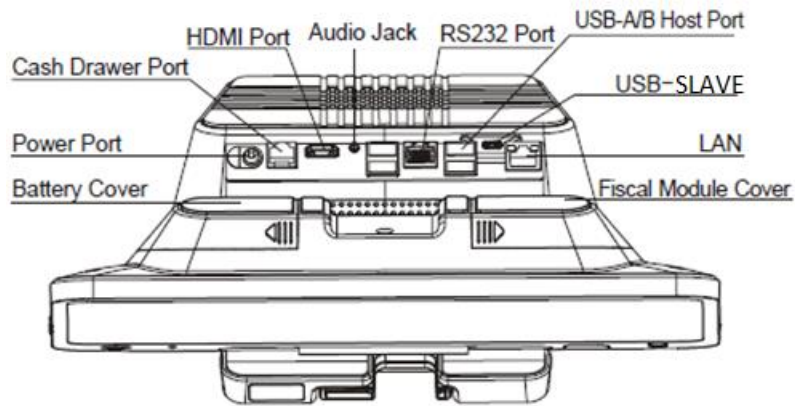
Front View

Printer Button, Finger Print, Printer Paper Exit, Power & Printer Indicator, Power Button, Light Sensor, Cashier Facing Scanner, LCD Display



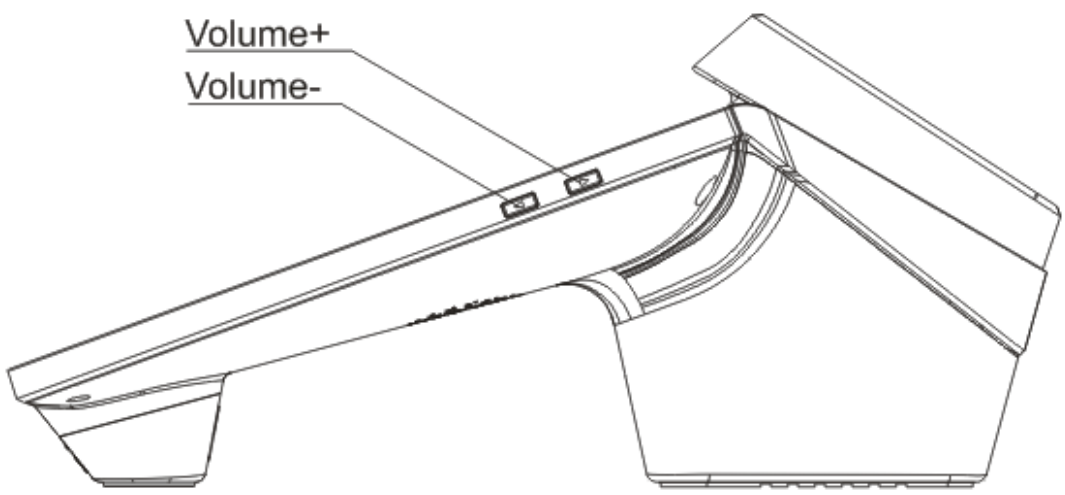
Q20 view

Hybrid Card Reader, Customer-facing Scanner, Contactless Area



Ports View

Cash Drawer Port, Power Port, Battery Cover, HDMI Port, Audio Jack, RS232 Port, USB-A/B Host Port, USB-OTG, LAN, Battery Cover



Side View

Volume+, Volume-

3. Terminal Ports


The following ports are accessible on the back of the E700:

- Power – Connect AC power supply to E700
- Cash Drawer – Insert the cable from cash drawer to connect with cash register
- HDMI – Connect to HDMI device
- Audio Jack – Allows hearing impaired to connect assistive listening device
- USB Host – Connect USB device
- RS232 – Used to connect to serial device such an external POS device or check reader
- USB – SLAVE – Used for local terminal download
- LAN – Used for bi-directional Ethernet connections

USB A-HOST output: 5V $\overline{\text{---}}$ 500mA

USB B-HOST output: 5V 500mA

USB C-HOST output: 5V 500mA

USB D-HOST output: 5V 500mA

Open the back cover to access following ports:

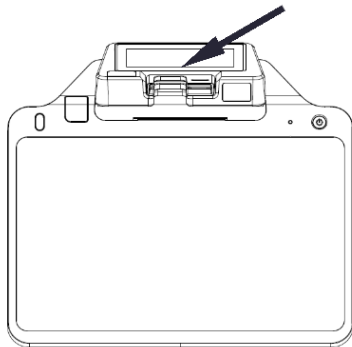
- SD Card Slot – Open card cover, remove battery and insert card into SD card slot
- SIM Card Slot – Open card cover, remove battery and insert SIM card into SIM slot to connect to cellular carrier’s network.

4. Power ON/OFF

- **Power on:** Press and hold the Power button for three seconds until the main screen displays normally. (See page 1 for the location of the Power button.
- **Power off:** Press and hold the Power button for three seconds until the shut down menu displays. Select Power off. The terminal turns off after a few seconds. (See page 1 for the location of the Power button.)

5. Hybrid Card Reader

The Q20 on the consumer-facing side of the E700 includes a reader that can be used as a Magnetic Stripe, EMV, and NFC/Contactless card reader.



- Magnetic Stripe Reader
Insert the card into the reader slot located on the top of the Q20. The terminal reads the information from the card when the magnetic stripe is inserted into the card slot.
- EMV Card Reader
Insert the card with the front facing you and the chip down into the card slot. Leave the card inserted until the terminal prompts to remove the card.
- NFC/Contactless Card Reader
Tap the card to the Q20 screen when prompted. The terminal uses an antenna device that detects and retrieves information from the card.

6. Specifications

- Operation System: Android 7.1
- CPU: Quad-core Cortex™-A63, 1.8GHZ
- Memory: 2GB DDR+16GB eMMC
- Main Display: 12.5 inch, 1920x1080 resolution, capacitive touch screen
- Printer: 3" high-speed thermal printer with auto-cutter, printing speed 150mm/s, paper width 80mm, diameter 80mm

- Audio: Built-in speaker, support headphone output
- Camera with scan window: (coverage of 30mm-120mm) for 1D/2D scan
 - Front fixed focus camera with 0.3 mega pixels(facing to cashier)
 - Rear fixed focus camera with 2 mega pixels(facing to customer)

- L-Sensor (Ambient Light Sensor): Automatically adjust the backlight brightness of the main display

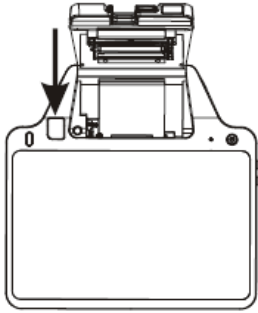
- Wireless Communication: Supports LAN, WIFI, Bluetooth, 3G/4G(optional)

- Peripheral Ports:
 - ✓ Power port x 1
 - ✓ USB A ports x 4
 - ✓ USB C port x1
 - ✓ HDMI X 1
 - ✓ LAN x 1
 - ✓ Cash drawer x 1
 - ✓ Serial port x 1
 - ✓ Audio jack x 1
- Card Slot:
 - ✓ SIM card slot x 1
 - ✓ Micro SD card slot x 1

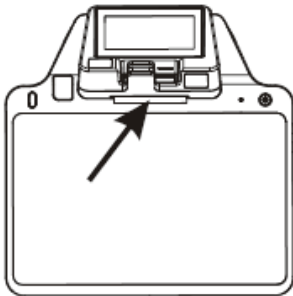
- Magnetic Card Reader: Supports track 1/2/3.
- IC Card Reader: Conforms to the standard of ISO7816, EMV2000 L1&L2, PBOC3.0
- Contactless Card Reader: Compatible with ISO14443 Type A&B

7. Load Printer Paper

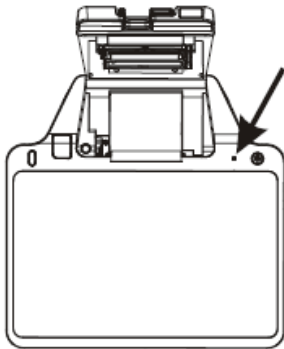
1. When the printer is out of paper, the yellow “Paper Out” indicator lights. Press the button on the left of printer to open the cover.



2. Load the paper roll into the paper compartment and extend the end of the paper out of the printer.



3. Close printer cover. The Paper Out indicator light turns off.



8. Installation and Usage Tips

- Avoid exposing the device to an excessively hot, humid, dusty, or strong electromagnetic environment.
- Do not vibrate, shake, or drop the device.
- Do not plug or unplug any part of the device while it is powered on. This may cause damage to an internal circuit.
- Please contact PAX technical support for assistance with the device.

Caution: Changes or modifications not expressly approved by the party responsible for compliance could void the user's authority to operate the equipment. In a domestic environment, this product may cause radio interference in which case the user may be required to take adequate measures.

Hereby, PAX Computer Technology (Shenzhen) Co., Ltd. declares that the radio equipment type E700 is in compliance with Directive 2014/53/EU.


The full text of the EU declaration of conformity is available at the following internet address:

<http://www.pax.com.cn/ProductCE.aspx>

Icon shows

- The mains plug is used as the disconnect device, The socket-outlet shall be installed near the equipment and shall be easily accessible.



-  This product bears the selective sorting symbol for Waste electrical and electronic equipment (WEEE). This means that this product must be handled pursuant to European directive 2012/19/EU in order to be recycled or dismantled to minimize its impact on the environment. User has the choice to give his product to a competent recycling organization or to the retailer when he buys a new electrical or electronic equipment.



- Moving parts Keep body parts away from moving parts.

Warning

To avoid replacement of a battery with an incorrect type

Don't disposal of a battery into fire or a hot oven, or mechanically crushing or cutting of a Battery.

Don't leaving a battery in an extremely high temperature surrounding environment.

To avoid battery subjected to extremely low air pressure.

The marking information is located at the bottom of apparatus.

FCC Regulations:

This device complies with Part 15 of the FCC Rules. Operation is subject to the following two conditions: (1) This device may not cause harmful interference, and (2) this device must accept any interference received, including interference that may cause undesired operation.

This equipment has been tested and found to comply with the limits for a Class B digital device, pursuant to Part 15 of the FCC Rules. These limits are designed to provide reasonable protection against harmful interference in a residential installation. This equipment generates, uses and can radiate radio frequency energy and, if not installed and used in accordance with the instructions, may cause harmful interference to radio communications. However, there is no guarantee that interference will not occur in a particular installation. If this equipment does cause harmful interference to radio or television reception, which can be determined by turning the equipment off and on, the user is encouraged to try to correct the interference by one of the following measures:

- Reorient or relocate the receiving antenna.
- Increase the separation between the equipment and receiver.
- Connect the equipment into an outlet on a circuit different from that to which the receiver is connected.
- Consult the dealer or an experienced radio/TV technician for help.

FCC Caution:

- Any changes or modifications not expressly approved by the party responsible for

- compliance could void the user's authority to operate this equipment.
- This transmitter must not be co-located or operating in conjunction with any other antenna or transmitter.

Radiation Exposure Statement:

This equipment complies with FCC radiation exposure limits set forth for an uncontrolled environment. This equipment should be installed and operated with minimum distance 20cm between the radiator & your body.

ISED Notice

- ❶ This device complies with Industry Canada license-exempt RSS standard(s). Operation is subject to the following two conditions:
 - 1) this device may not cause interference, and
 - 2) this device must accept any interference, including interference that may cause undesired operation of the device.
- ❶ Le présent appareil est conforme aux CNR d'Industrie Canada applicables aux appareils radio exempts de licence. L'exploitation est autorisée aux deux conditions suivantes:
 - 1) l'appareil ne doit pas produire de brouillage, et
 - 2) l'utilisateur de l'appareil doit accepter tout brouillage radioélectrique subi, même si le brouillage est susceptible d'en compromettre le fonctionnement.
- ❷ This device and its antenna(s) must not be co-located or operating in conjunction with any other antenna or transmitter, except tested built-in radios.
- ❷ Cet appareil et son antenne ne doivent pas être situés ou fonctionner en conjonction avec une autre antenne ou un autre émetteur, exception faites des radios intégrées qui ont été testées.
- ❸ The County Code Selection feature is disabled for products marketed in the US/ Canada.
- ❸ La fonction de sélection de l'indicatif du pays est désactivée pour les produits commercialisés aux États-Unis et au Canada.

Radiation Exposure Statement:

This equipment complies with IC radiation exposure limits set forth for an uncontrolled environment. This equipment should be installed and operated with minimum distance 20cm between the radiator & your body.

Déclaration d'exposition aux radiations:

Cet équipement est conforme aux limites d'exposition aux rayonnements IC établies pour un environnement non contrôlé. Cet équipement doit être installé et utilisé avec un minimum de 20 cm de distance entre la source de rayonnement et votre corps.

The device for operation in the band 5150 – 5250 MHz is only for indoor use to reduce the potential for harmful interference to co-channel mobile satellite systems.

Le dispositif a été utilisé pour la construction de la bande 5150 à 5250 MHz pour la consommation de matériel pour réduire le potentiel pour les systèmes de télévision mobiles.

PAX TECHNOLOGY LIMITED

Manufacturer: PAX Computer Technology (Shenzhen) Co.,Ltd.

**Address:4/F, No.3 Building, Software Park, Second Central Science-Tech Road,
High-Tech Industrial Park, Shenzhen, Guangdong, P.R.C.**

Tel: 0755-86169630 Fax: 0755-86169634

Website: <http://www.pax.com.cn>

Responsible Party: PAX Technology, Inc.

**8880 Freedom Crossing Trail, Building 400, 3rd Floor Suite 300, Jacksonville , Florida,
32256**

Tony Fernandez

tony.fernandez@pax.us

+1 623-640-9529