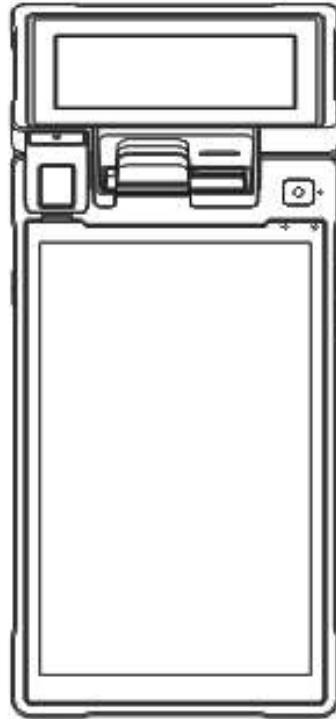


E600 Integrated Smart Terminal



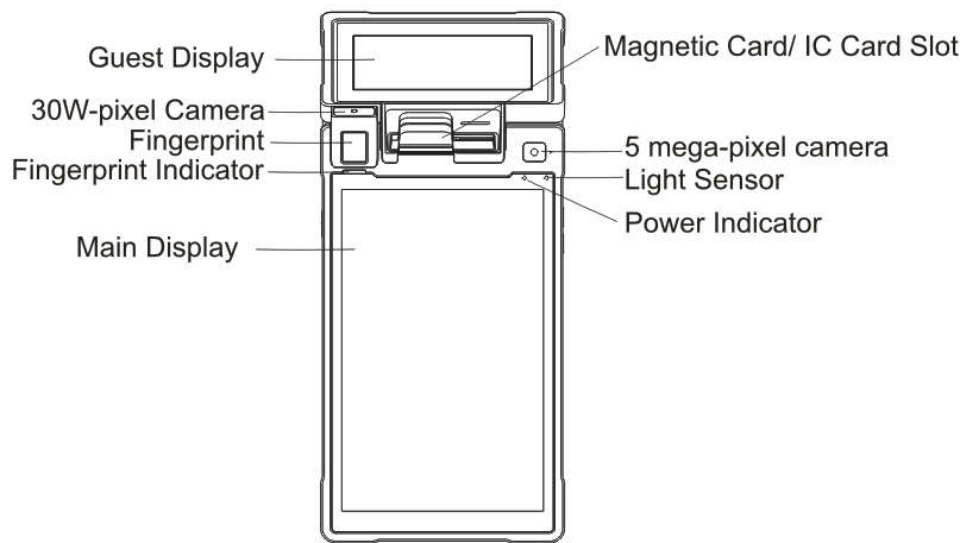
PAX TECHNOLOGY LIMITED

1.Contents Checklist

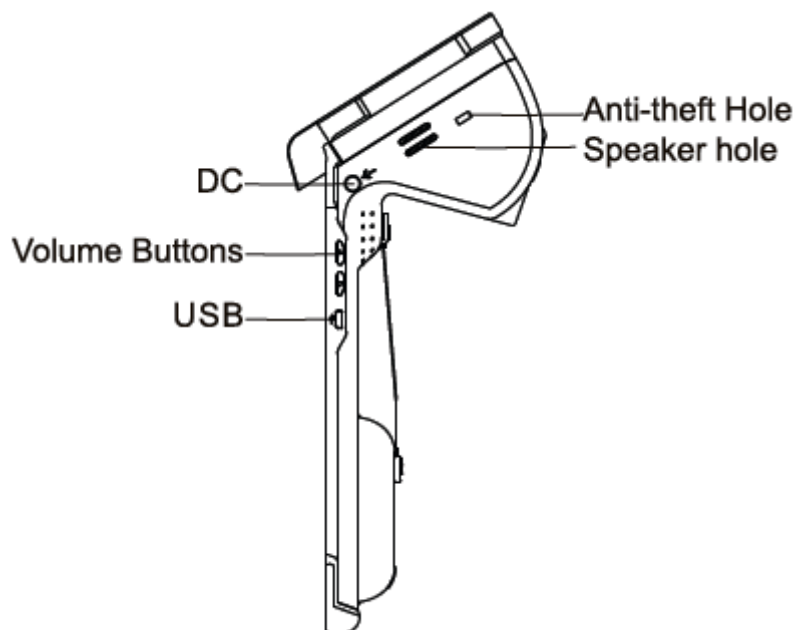
Please check the components after unpacking. If any one of them is missing, or if there is a page missing from the product manual,ect.,please contact the dealer.

Name	Qty.
E600	1
AC Power Adapter	1
AC Power Cable	1
Product manual	1

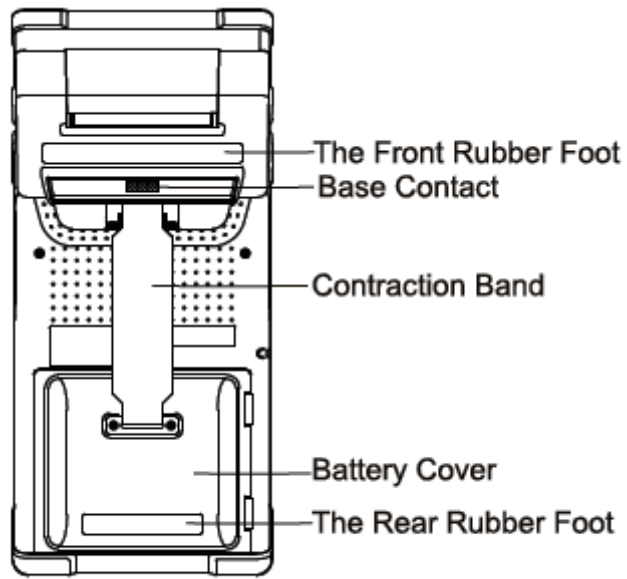
2, Product Description



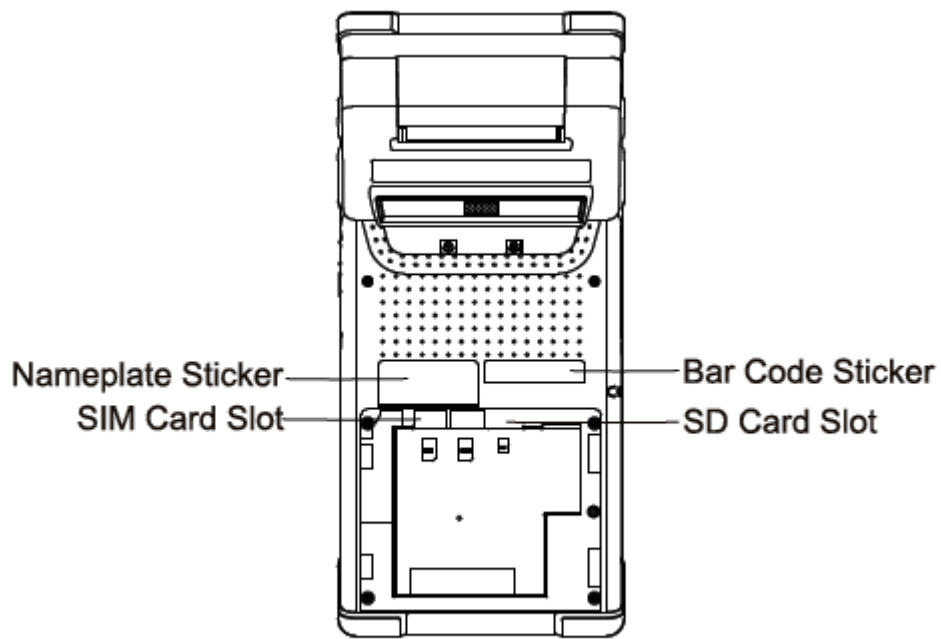
The Front View



The Right Side View



The Rear View



SIM Card Slot Diagram

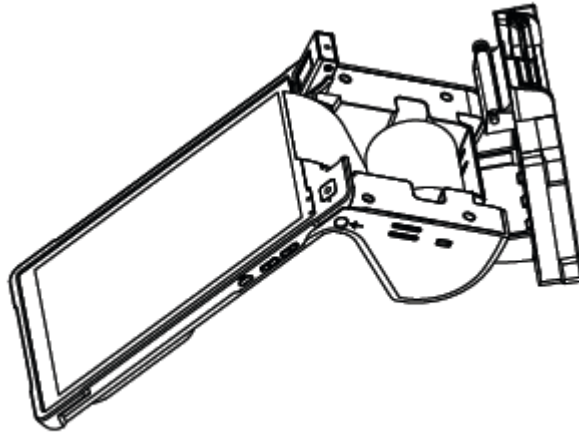


Diagram for Opening the Printer Cover

3. Installation

Power on: Press and hold the Power button for three seconds until the main screen displays normally.

Power off: Press and hold the Power button for three seconds until the shutdown menu appears, tap "Shutdown", and then "shutting..." appears. The terminal will be turned off after a few seconds.

Swipe the magnetic stripe card: Place the magnetic stripe face down (keep the magnetic stripe card perpendicular to the main display), swipe card through the magnetic card slot at a constant speed.

IC Card: Place the IC chip face down, then insert the IC card into the card slot, and push it to the end.

Contactless card: Put the contactless card on the center of the payment module screen.

Tear paper: Press the print paper downward along the cutter and tear it leftward or rightward when getting close to the main display.

Charge: Insert the external adapter or the base to charge the device, the indicator lighting in red means the device is charging; the indicator lighting in green means charging is completed; the indicator flashing in red and green alternately means charging is abnormal.

Replace SIM card: Open the battery cover on the bottom of the machine, remove the battery, and follow the prompt to insert/take out the SIM card.

Replace SD card: Open the battery cover on the bottom of the machine, remove the battery, and follow the prompt to insert/take out the SD card.

4, Specification

Operating System: Android 7.1

CPU: Cortex A53 Quad-core, 1.4GHz

Memory: 1GB RAM + 8GB Flash Memory

Display: 8" inch, resolution: 800*1280, multi-touch capacitive touch screen

Printer: 2" high-speed thermal printer, support 58*50mm print paper roll

Audio: Built-in speaker, support headphone output

Camera: Front camera, 5 mega-pixel, fixed-focus, high-speed code scanning
Rear camera,30W-pixel, fixed-focus, high-speed code scanning
L-Sensor (Ambient Light Sensor): Automatically adjust the backlight brightness of the main display
Wireless Communication: Support WIFI, Bluetooth, 3G/4G

Positioning: Support GPS, Compass, Gingileo, GLONASS

Card Slots: SIM card slot

Micro SD card slot (maximum supports 128GB)

magnetic stripe card/IC card slot, using two-in-one (support MAG&ICC)

Magnetic Card Reader: Support track 1/2/3.

IC Card Reader: Conform to the standard of ISO7816, EMV2000 L1&L2, PBOC3.0

Contactless Card Reader: Compatible with ISO14443 Type A&B

Working Environment Temperature: 0°C ~ 50°C (32°F ~ 122°F)

R.H.: 10% ~ 93% (non-condense)

Storage Environment Temperature: -20°C ~ 70°C (-4°F ~ 158°F)

R.H.: 5% ~ 95% (non-condense)

5. Cautions of installation and usage

- 1) Avoid exposing the terminal in hot, humid, dusty or strong electromagnetic environment.
- 2) Do not violently vibrate, shake or beat the product.
- 3) Do not plug/unplug any units of the product when it is power on, otherwise it may damage the internal circuit.
- 4) Do not maintain the terminal if you are non-professional
- 5) Before inserting the magnetic stripe/IC/contactless card, please check whether there is any foreign object inside or surround the card slot, and if any, report to related personnel.

Caution

Risk of explosion if battery replaced by an incorrect type.

Dispose of used batteries according to the instructions.

Hereby, PAX Computer Technology (Shenzhen) Co., Ltd. declares that the radio equipment type E600 is in compliance with Directive 2014/53/EU.

The full text of the EU declaration of conformity is available at the following internet address:

<http://www.pax.com.cn/ProductCE.aspx>

Icon shows



Do not throw away, need professional recycling.



Class II Equipment



For indoor use only



Energy Efficiency Marking



AC voltage



DC voltage

The MAINS plug is used as the disconnected device.

FCC Regulations:

This device complies with part 15 of the FCC Rules. Operation is subject to the following two conditions: (1) This device may not cause harmful interference, and (2) this device must accept any interference received, including interference that may cause undesired operation.

This device has been tested and found to comply with the limits for a Class B digital device, pursuant to Part 15 of the FCC Rules. These limits are designed to provide reasonable protection against harmful interference in a residential installation. This equipment generates, uses and can radiated radio frequency energy and, if not installed and used in accordance with the instructions, may cause harmful interference to radio communications. However, there is no guarantee that interference will not occur in a particular installation. If this equipment does cause harmful interference to radio or television reception, which can be determined by turning the equipment off and on, the user is encouraged to try to correct the interference by one or more of the following measures:

- Reorient or relocate the receiving antenna.
- Increase the separation between the equipment and receiver.
- Connect the equipment into an outlet on a circuit different from that to which the receiver is connected.
- Consult the dealer or an experienced radio/TV technician for help.

Caution: Changes or modifications not expressly approved by the party responsible for compliance could void the user's authority to operate the equipment.

FCC RF Exposure Information (SAR)

This device is designed and manufactured not to exceed the emission limits for exposure to radio frequency (RF) energy set by the Federal Communications Commission of the United States.

During SAR testing, this device is set to transmit at its highest certified power level in all

tested frequency bands, and placed in positions that simulate RF exposure in usage near the body. Although the SAR is determined at the highest certified power level, the actual SAR level of the while operating can be well below the maximum value. This is because the device is designed to operate at multiple power levels so as to use only the power required to reach the network. In general, the closer you are to a wireless base station antenna, the lower the power output.

The exposure standard for wireless employs a unit of measurement known as the Specific Absorption Rate, or SAR. The SAR limit set by the FCC is 1.6W/kg.

The FCC has granted an Equipment Authorization for this model device with all reported SAR levels evaluated as in compliance with the FCC RF exposure guidelines. SAR information on this model device is on file with the FCC and can be found under the Display Grant section of www.fcc.gov/oet/ea/fccid after searching on FCC ID: V5PE600

For this device, the highest reported SAR value for usage near the body is 1.21 W/kg.

While there may be differences between the SAR levels of various devices and at various positions, they all meet the government requirement.

ISED Notice

This device complies with Innovation, Science and Economic Development Canada license-exempt RSS standard(s). Operation is subject to the following two conditions:

- (1) this device may not cause interference, and
- (2) this device must accept any interference, including interference that may cause undesired operation of the device.

Le présent appareil est conforme aux CNR Innovation, Sciences et Développement économique Canada applicables aux appareils radio exempts de licence. L'exploitation est autorisée aux deux conditions suivantes:

- (1) l'appareil ne doit pas produire de brouillage, et
- (2) l'utilisateur de l'appareil doit accepter tout brouillage radioélectrique subi, même si le brouillage est susceptible d'en

IC: 11689A-E600

ISED Radiation Exposure Statement

This EUT is in compliance with SAR for general population/uncontrolled exposure limits in ISED RSS-102 and had been tested in accordance with the measurement methods and procedures specified in IEEE 1528 and IEC 62209. This device and its antenna(s) must

not be co-located or operating in conjunction with any other antenna or transmitter.

Cet appareil est conforme aux limites d'exposition DAS incontrôlée pour la population générale de la norme CNR-102 science de l'innovation et le développement économique Canada et a été testé en conformité avec les méthodes de mesure et procédures spécifiées dans IEEE 1528 et IEC 62209. Cet appareil et sa ou ses antennes ne doivent pas être co-localisés ou fonctionner en conjonction avec tout autre antenne ou transmetteur.

the device for operation in the band 5150–5250 MHz is only for indoor use to reduce the potential for harmful interference to co-channel mobile satellite systems

Le dispositif a été utilisé pour la construction de la bande 5150 à 5250 MHz pour la consommation de matériel pour réduire le potentiel pour les systèmes de télévision mobiles

PAX TECHNOLOGY LIMITED reserves the right to change product technology specifications without notifying.



PAX TECHNOLOGY LIMITED

Manufacturer: PAX Computer Technology (Shenzhen) Co., Ltd.

Address: 4/F, No.3 Building, Software Park, Second Central Science-Tech Road, High-Tech Industrial Park, Shenzhen, Guangdong, P.R.C.

Tel: 0755-86169630 Fax: 0755-86169634

Website: <http://www.pax.com.cn>

Responsible Party: PAX Technology, Inc.

8880 Freedom Crossing Trail, Building 400, 3rd Floor Suite 300, Jacksonville, Florida, 32256

Nikolai Francis

T: (904) 217-6387