

D170 Mini POS



PAX TECHNOLOGY LIMITED

1. Contents Checklist

Please check the components after unpacking. If any one of them is missing, or if there is a page missing from the product manual,ect.,please contact the dealer.

Name	Qty
D170 mini POS	1
USB cable	1
Product Manual	1

2. Product Description



Figure 1.Front view

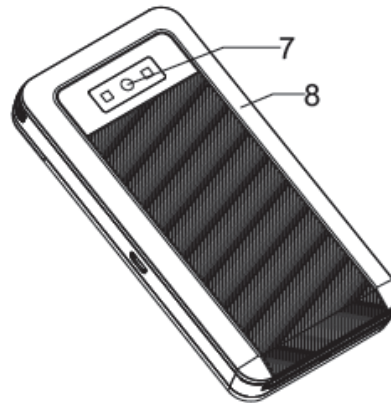


Figure 2.Back view

1. LCD
2. Magnetic strip card swipe slot
3. Contactless zone
4. USB port
5. KEY
6. IC card slot
7. Camera
8. SIM card cap

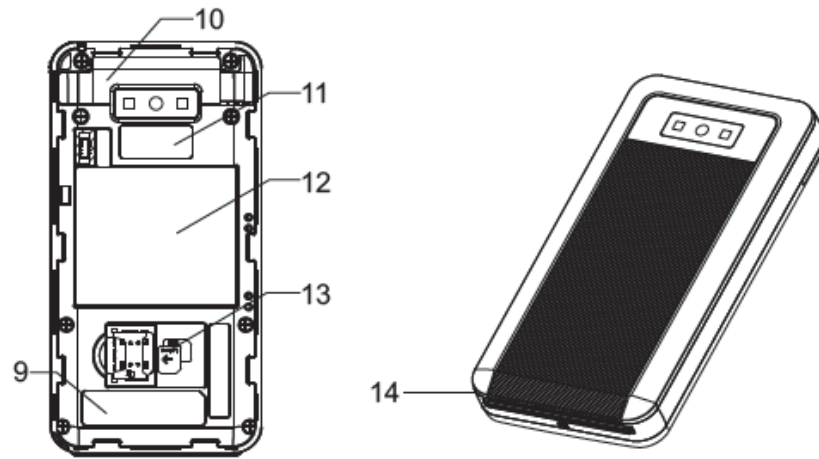


Figure 3. Diagram of Battery / Battery Cover

- 9. Nameplate
- 10. Wireless antenna
- 11. Beep
- 12. Battery
- 13. Double SIM Cards
- 14. SIM cover tear hand position

3. Installation

SIM Card:

- a) Remove the SIM card cover.
- b) Insert the SIM card to the corresponding card slot.
- c) Install the SIM card cover.

4. Instruction

1) Power ON/OFF

Power on: Press the power button for 3 seconds until 'Di' is heard.

Power off: Press the power button for 3 seconds until the “Shutting Down” display on the LCD , then the POS terminal is being turned off.

2) Swipe Magnetic strip card:



Refer to figure above. When swiping card, Please face the magnetic strip of the magnetic card to the inside of the device, Meanwhile, Run the magnetic card across the magnetic chuck slot at a uniform speed, with Two-way swipe; The swiping process should be smooth and uniform.

3) IC card



Refer to figure above, When inserting card, The IC card chip should face up. Push the IC card gently and push it to the end, and then, IC card identifier should be displayed on LCD screen. Do not insert card with great strength, so as not to damage the IC card or the host card holder.

Attention

Before inserting an IC card, check the IC card slot inside and around. If there are any suspicious objects, please do not insert IC card and immediately report the relevant person.

4) Contactless card



Refer to figure above, When brushing the contactless card, place the contactless card within the sensor area above the device LCD.

5. Installation and Usage Tips

- 1) Avoid putting the terminal in direct sunlight, high temperature, moist, or dusty environment.
- 2) Stay away from the liquid
- 3) Do not insert any foreign matter into any interface of the device. This may seriously damage the device.

- 4) Forbid non-professional to repair the terminal.
- 5) Strictly forbidden to disassemble and install machines at explosive hazards and use external interface.
- 6) Should Charge with power adapter.
- 7) When the battery voltage is too low, insert the power adapter to charge the battery, press the key may hear "DiDi" sound, indicating that the battery voltage is too low, unable to boot, and need to continue charging.

6. Lithium Ion Battery Usage Tips

WARNING:

- 1) Don't use the battery in sunlight or smoke, dust environment.
- 2) Prohibited to strike, squeeze and tread on battery or throw it into the liquid and fire.
- 3) If battery is impressive, deformed, damaged or exothermic seriously, please stop using immediately and replace it!
- 4) If the continuous working time is only half of new one, the battery life may be end. Please replace it!
- 5) Must use the specified battery model and charger, otherwise there will be explosion
- 6) The charging time cannot exceed 24 hours. If the battery is out of power, please recharge in time. Avoid damaging the battery in over-charge and over-discharge.
- 7) If be non-use for long time, please recharge the battery per 6 months to avoid shortening its life.
- 8) Suggest to replace it when the battery have been used for 2 years.
- 9) Be sure to follow the instructions to dispose the wasted batteries.

FCC compliance statement

This device complies with Part 15 of the FCC Rules. Operation is subject to the following two conditions: (1) this device may not cause harmful interference, and (2) this device must accept any interference received, including interference that may cause undesired operation.

changes or modifications not expressly approved by the party responsible for compliance could void the user's authority to operate the equipment.

This equipment has been tested and found to comply with the limits for a Class B digital device, pursuant to Part 15 of the FCC Rules. These limits are designed to provide reasonable protection against harmful interference in a residential installation. This equipment generates, uses and can radiate radio frequency energy and, if not installed and used in accordance with the instructions, may cause harmful interference to radio communications. However, there is no guarantee that interference will not occur in a particular installation.

If this equipment does cause harmful interference to radio or television reception, which can be determined by turning the equipment off and on, the user is encouraged to try to correct the interference by one or more of the following measures:

- Reorient or relocate the receiving antenna.
- Increase the separation between the equipment and receiver.
- Connect the equipment into an outlet on a circuit different from that to which the receiver is connected.
- Consult the dealer or an experienced radio/TV technician for help.

FCC SAR statement

This equipment complies with FCC radiation exposure limits set forth for an uncontrolled environment. End user must follow the specific operating instructions for satisfying RF exposure compliance. This transmitter must not be co-located or operating in conjunction with any other antenna or transmitter.

The portable device is designed to meet the requirements for exposure to radio waves established by the Federal

Communications Commission (USA). These requirements set a SAR limit of 1.6 W/kg averaged over one gram of tissue. The highest SAR value reported under this standard during product certification for use when properly worn on the body

This device complies with Part 15 of the FCC Rules. Operation is subject to the following two conditions: (1) this device may not cause harmful interference, and (2) this device must accept any interference received, including interference that may cause undesired operation.