

4) Device Dimensions

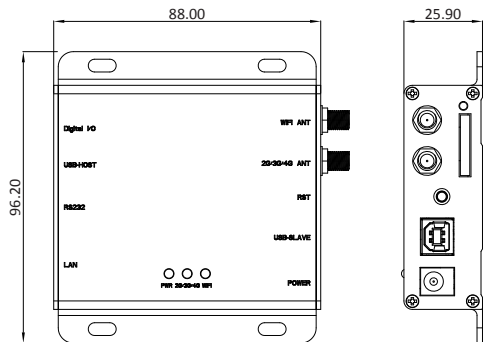


Figure 6: device dimensions (mm)

Instructions

4

1) Switching the device on and off

Switch on: Link the CM20 to a power source via the DC power jack or USB Type B port.

Switch off: Disconnect the CM20 from the power terminal it is connected to.

2) Environmental Conditions

Maintenance and Usage

5

- 1) If any cables become damaged, seek a replacement.
- 2) Do not insert unknown materials into any port on the CM20, this may cause serious damage to the device.
- 3) If repairs are required, please contact a professional technician instead of attempting them on your own.
- 4) Make sure the various cables connect to provide the appropriate voltages at the proper pins.
- 5) For best performance, the antennas should be placed in an elevated area and kept free from obstructions.

FCC Statement

Changes or modifications not expressly approved by the party responsible for compliance could void the user's authority to operate the **FCC Radiation Exposure Statement**. This equipment complies with FCC radiation exposure limits set forth for an uncontrolled environment. This equipment should be installed and operated with minimum distances 20cm between the radiator include antenna & your body.

FCC Compliance Statement

6

This device complies with Part 15 of the FCC Rules. Operation is subject to the following two conditions:

- This device may not cause harmful interference, and
- This device must accept any interference received, including interference that may cause undesired operation.

WARNING

This equipment has been tested and found to comply with the limits for a Class B digital device, pursuant to Part 15 of the FCC Rules. These limits are designed to provide reasonable protection against harmful interference in a residential installation.

This equipment generates, uses and can radiate radio frequency energy and, if not installed and used in accordance with the instructions, may cause harmful interference to radio communications.

However, there is no guarantee that interference will not occur in a particular installation. If this equipment does cause harmful interference to radio or television reception, which can be determined by turning the equipment off and on, the user is encouraged to try to correct the interference by one of the following measures:

- Reorient or relocate the receiving antenna.

- Increase the separation between the equipment and receiver.
- Connect the equipment into an outlet on a circuit different from that to which the receiver is connected.
- Consult the dealer or an experienced radio/TV technician for help.

CAUTION

Any changes or modifications not expressly approved by the manufacturer could void the user's authority to operate this equipment.

RADIATION EXPOSURE

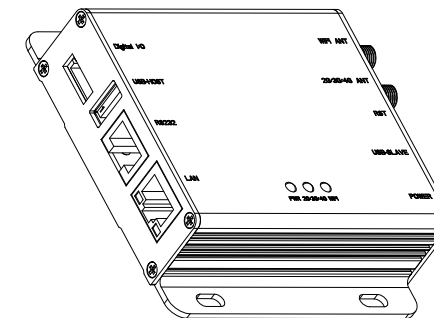
This device complies with FCC radiation exposure limits for general environments.

Index of Icons

7

- do not throw away, requires professional recycling
- Class II equipment
- for indoor use only
- energy efficiency marking (level VI)
- AC voltage
- DC voltage

CM20 COMMUNICATION MODULE



Contents

1

The following items may be included with your CM20 unit, contents may vary based on specific product configuration.

Name	Quantity
CM20 communication module	1
USB A to B cable	1
Wi-Fi antenna (optional)	1
2G/3G/4G antenna (optional)	1
power adapter	1

Product Description

2

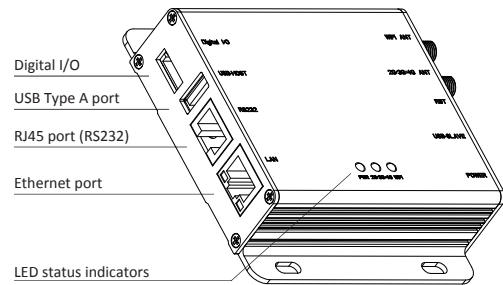


Figure 1: front view (left side)

1

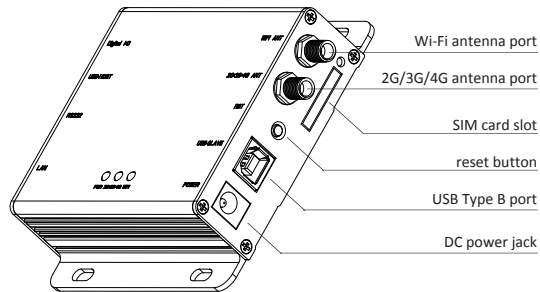


Figure 2: front view (right side)

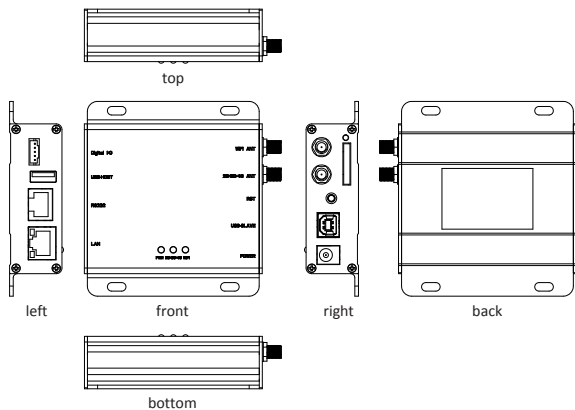


Figure 3: view from all sides

2

Installation

3

1) SIM Card Insertion

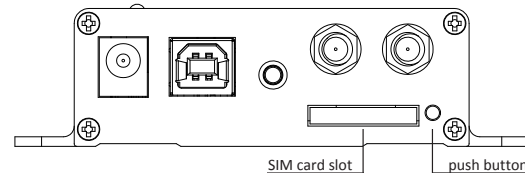


Figure 4: SIM card slot (CM20 right side)

On the right side of the CM20, there is a mini-SIM sized SIM card slot. To install a SIM card, first open the mount by fully depressing the yellow button next to the card slot and inserting a card into the mount. Push the mount back into place to secure the card, and then restart the device to detect it.

2) Antenna

The CM20 comes packaged with two antennas, one antenna is used for communicating with Wi-Fi networks, and another is for communicating with 2G, 3G, or 4G networks. These antennas can be attached to the CM20 at the two SMA connectors indicated in Figure 2.

3

3) Device Connection

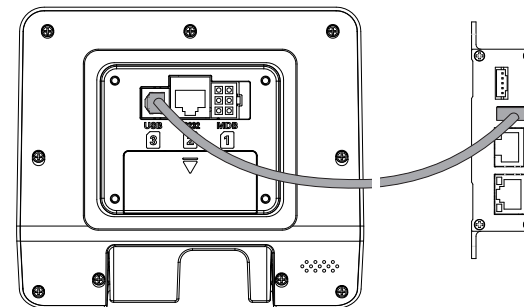


Figure 5: connecting the CM20 to the IM20

The CM20 is designed to function as a communications module for other PAX devices. It can connect to devices such as the IM20 POS terminal through its USB port to provide additional functionality. As shown in Figure 5, the USB Type A port of the CM20 can be connected to the USB Type B port of the IM20, both powering the IM20 and allowing for communications between the two devices. This device can provide similar functionality to other POS terminals such as the IM500 and IM700. Contact your dealer for any questions regarding the compatibility and connection of specific PAX devices.

4

P/N: 200312000000454

PAX TECHNOLOGY LIMITED reserves the right to change product specifications without prior notification.



PAX TECHNOLOGY LIMITED

Manufacturer: PAX Computer Technology (Shenzhen) Co., Ltd.
 Address: 4FL, Building #3, Software Park, 2nd Central Science-Tech RD,
 High-Tech Industrial Park, Shenzhen, Guangdong, PRC
 Tel: 0755-86169630 Fax: 0755-86169634
 Website: <http://www.pax.com.cn>