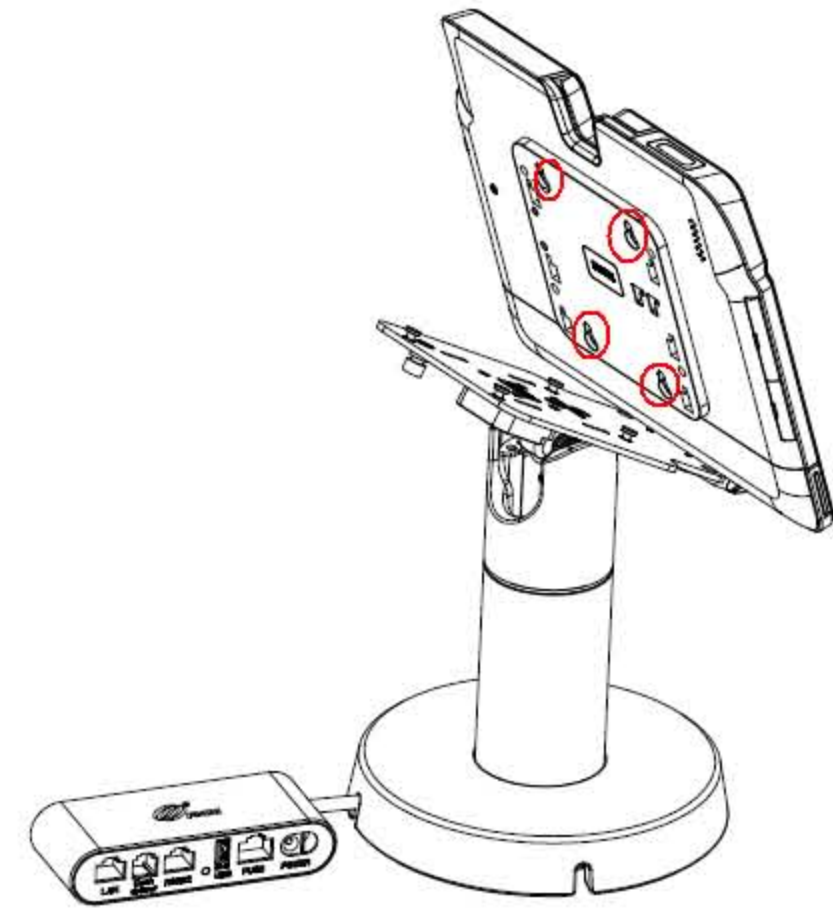


Install Aries8 Tablet On AR8-Stand



- Place tablet on stand, as shown, aligning the four holes on the underside of the tablet with the screws on the adapter.



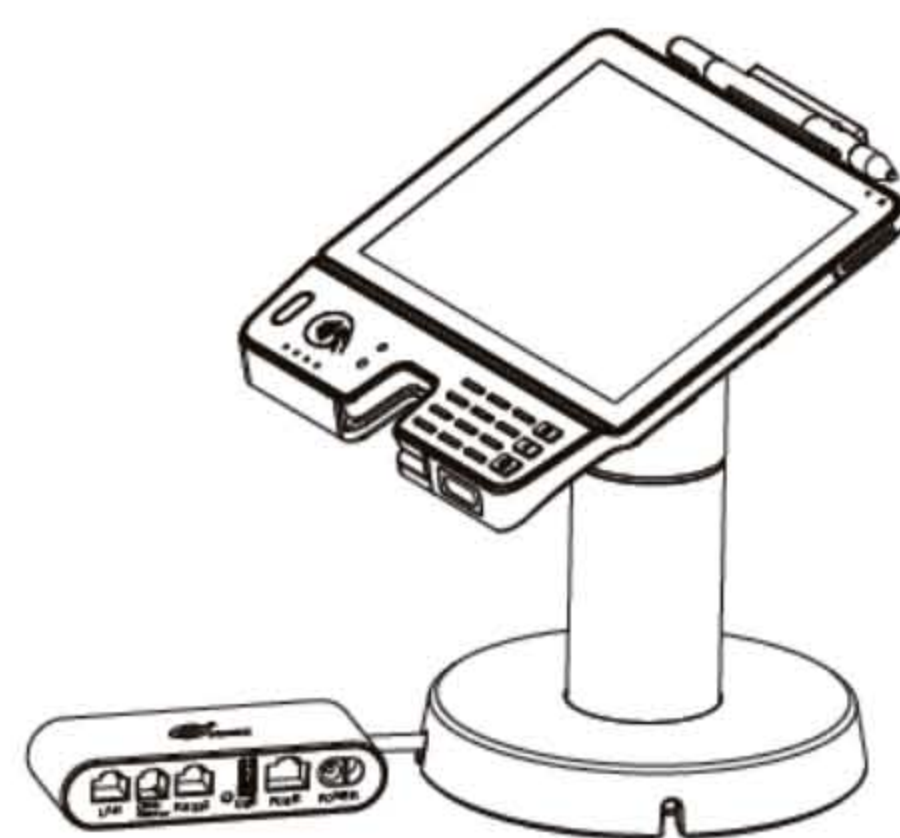
- Lower tablet into place on the stand.



- Push tablet forward slightly, in the direction shown, so that it is firmly secured to the stand.



- Tighten the screw on the underside of the stand mounting plate in a counter clockwise direction.



- Orient tablet to face cashier for convenient operation.

Remove Aries8 Tablet From AR8-Stand and Install AR8-Stand

Remove AR8S

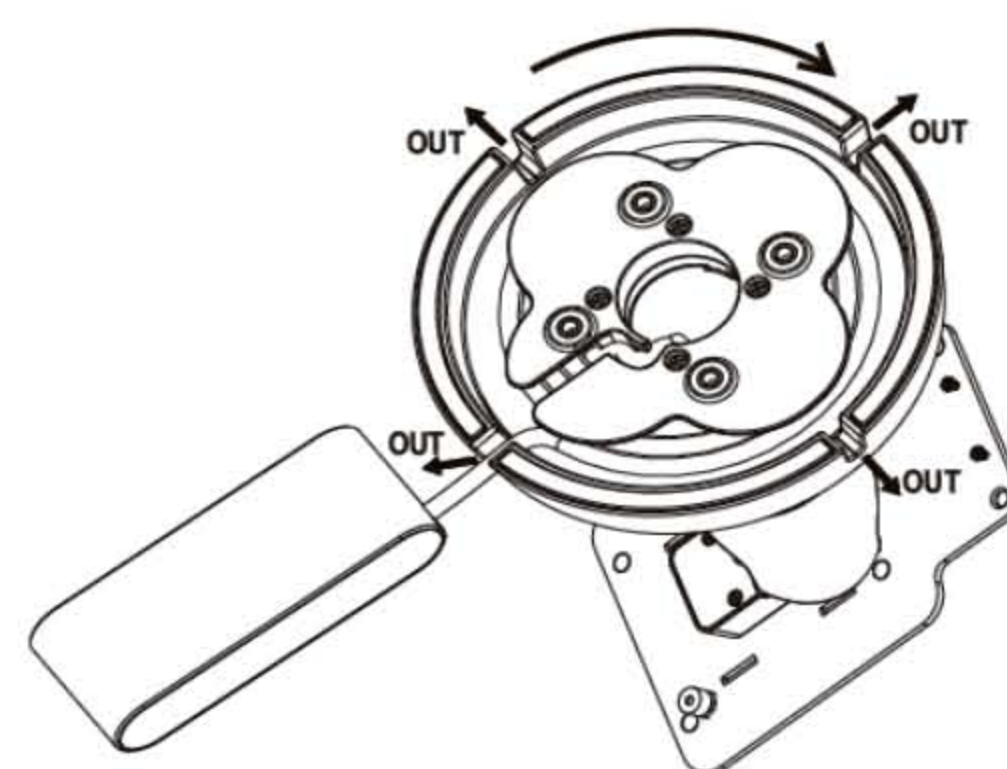


- Loosen screws in a clockwise direction.

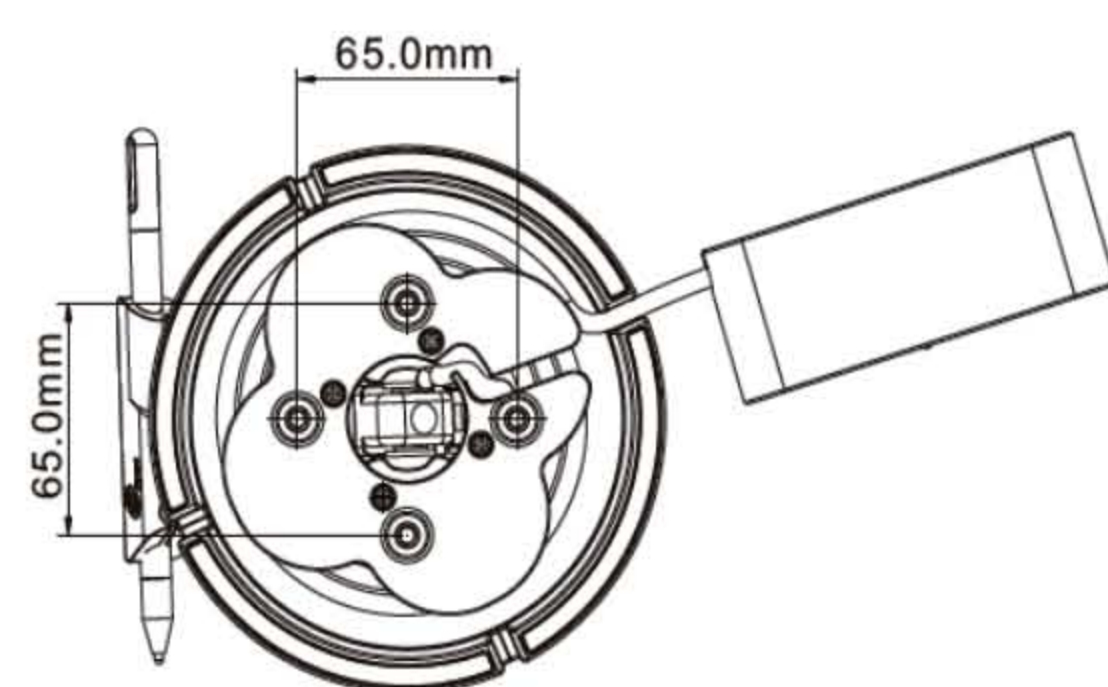


- Push tablet out of stand and remove tablet.

Install Stand



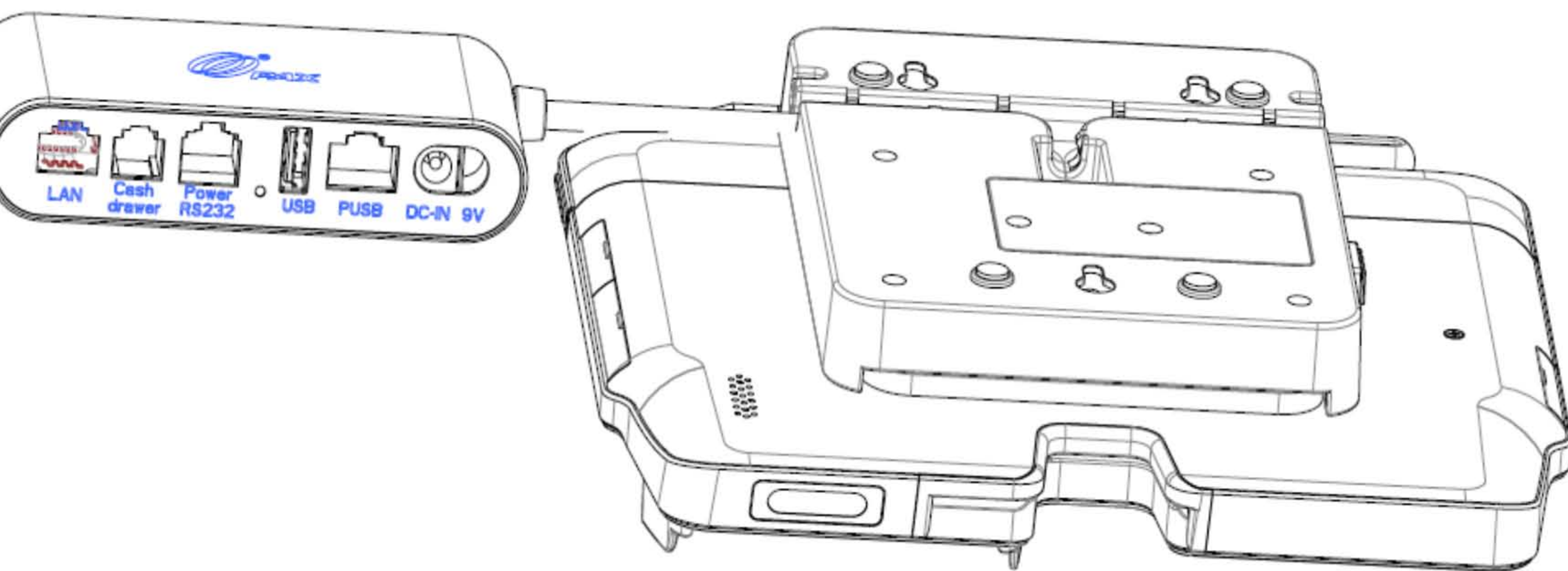
- There are four outlets on the underside of the base plate that are designed for different placement options for the communication box.



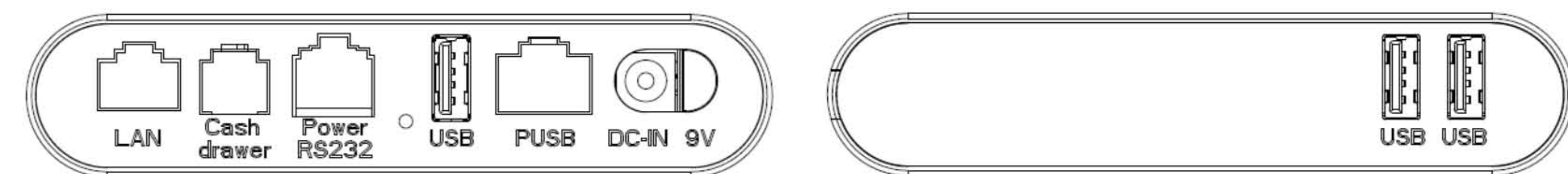
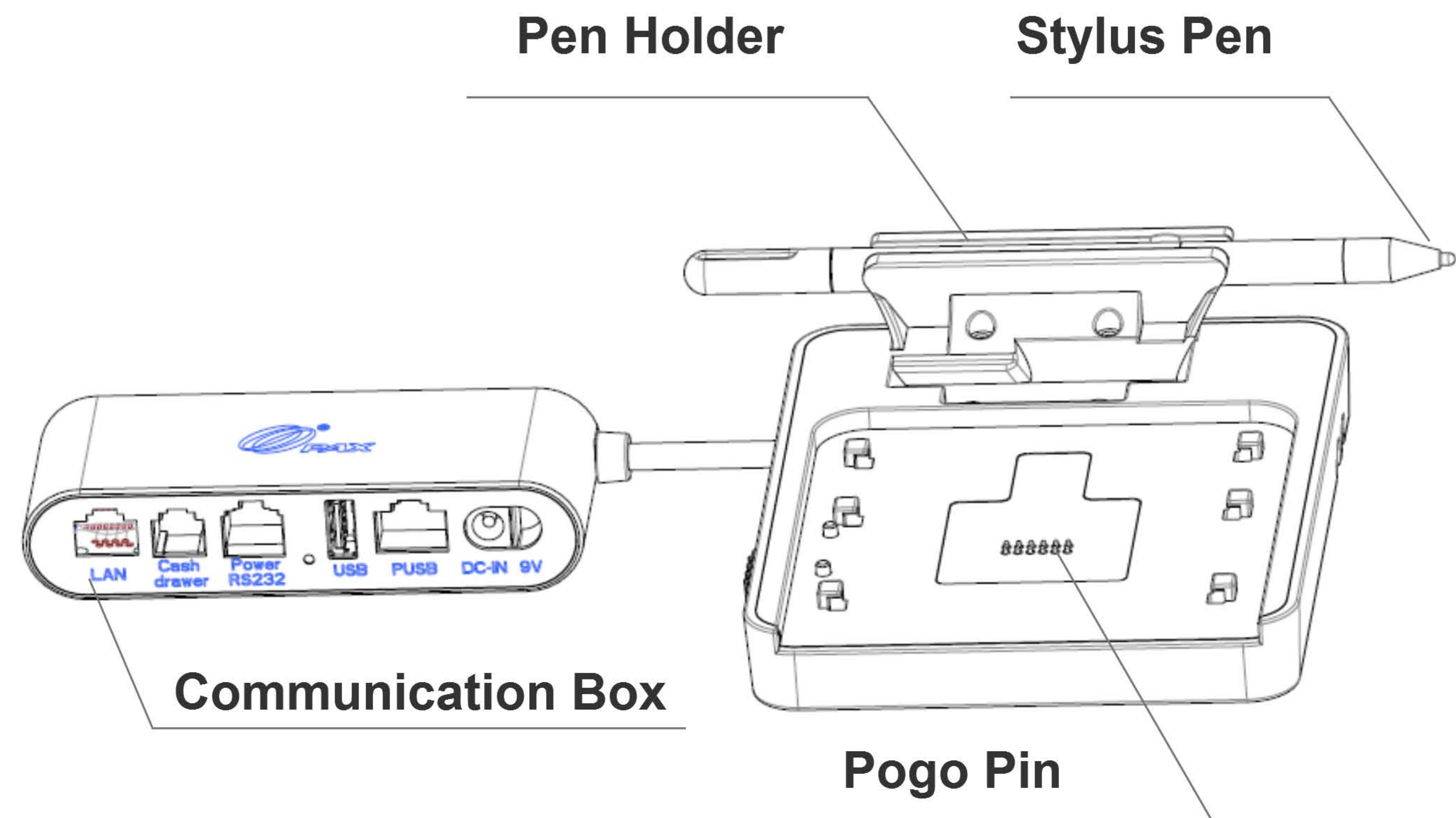
- Secure to countertop by drilling holes into cashier desk. Drill four holes in a circle at angles of 0°, 90°, 180°, and 270° with a 65mm space between the two horizontal holes, as shown

General Introduction

AR8P is a combination of Aries8 Tablet and mounting plate. Mounted on the plate, Aries8 can be installed on almost all kinds of stands on the market in addition to PAX stand. Meanwhile, the communication provide a lot of peripheral ports to meet multiple device connection requirements.



AR8-Plate

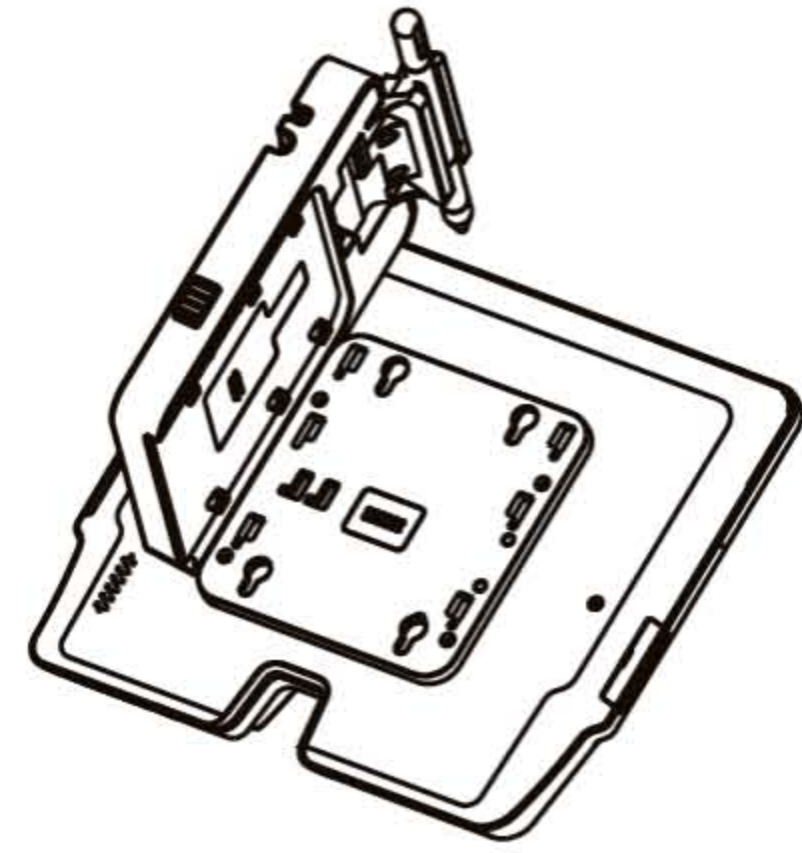


Communication Box Ports

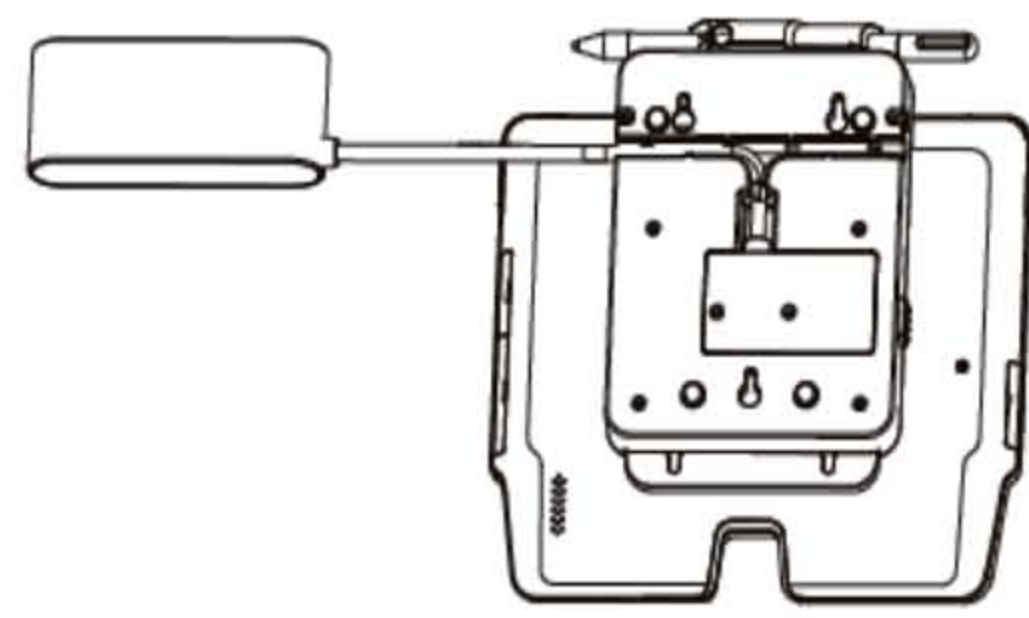
- LAN x1
- Cash Drawer x1
- Power RS232 x1
- USB Type A x3
- PUSB x1
- Power port x1
- Indicator x1

Install & Remove AR8-Plate

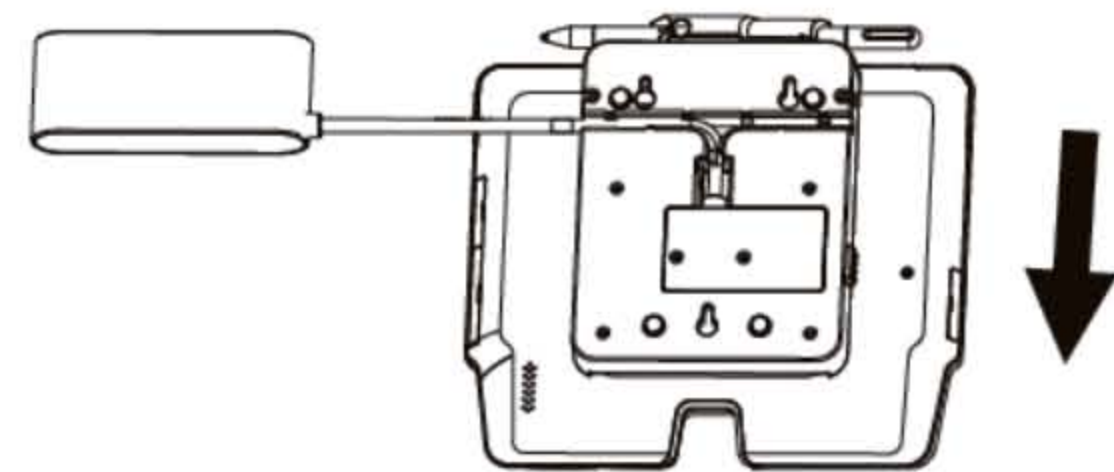
Install Tablet on AR8-Plate



- Place the tablet with card slot facing down, as shown. Align the 6 orienting pegs on AR8-Plate with 6 holes on tablet.

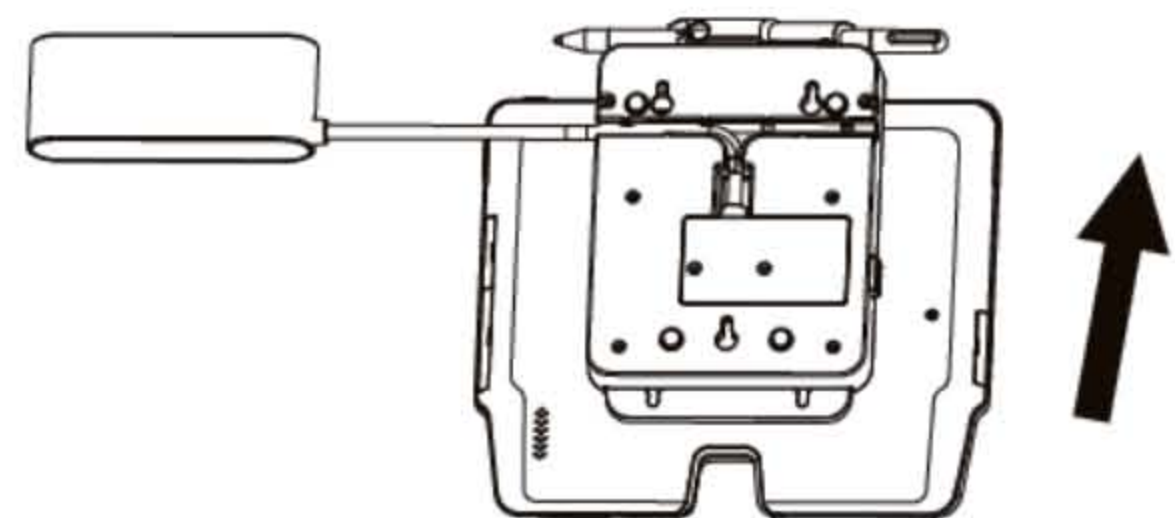


- Lower AR8-Plate into tablet.



- Push plate in direction shown below to the end to lock it.

Remove Tablet From AR8-Plate



- Press and hold the orange button on the side of the plate to release the tablet. Slide the plate in the direction shown to remove it.

FCC Regulations:

This device complies with part 15 of the FCC Rules. Operation is subject to the following two conditions: (1) This device may not cause harmful interference, and (2) this device must accept any interference received, including interference that may cause undesired operation.

This device has been tested and found to comply with the limits for a Class B digital device, pursuant to Part 15 of the FCC Rules. These limits are designed to provide reasonable protection against harmful interference in a residential installation. This equipment generates, uses and can radiated radio frequency energy and, if not installed and used in accordance with the instructions, may cause harmful interference to radio communications. However, there is no guarantee that interference will not occur in a particular installation. If this equipment does cause harmful interference to radio or television reception, which can be determined by turning the equipment off and on, the user is encouraged to try to correct the interference by one or more of the following measures:

- Reorient or relocate the receiving antenna.
- Increase the separation between the equipment and receiver.
- Connect the equipment into an outlet on a circuit different from that to which the receiver is connected.
- Consult the dealer or an experienced radio/TV technician for help.

Caution: Changes or modifications not expressly approved by the party responsible for compliance could void the user's authority to operate the equipment.

FCC RF Exposure Information (SAR)

This device is designed and manufactured not to exceed the emission limits for exposure to radio frequency (RF) energy set by the Federal Communications Commission of the United States.

During SAR testing, this device is set to transmit at its highest certified power level in all tested frequency bands, and placed in positions that simulate RF exposure in usage near the body. Although the SAR is determined at the highest certified power level, the actual SAR level of the while operating can be well below the maximum value. This is because the device is designed to operate at multiple power levels so as to use only the power required to reach the network. In general, the closer you are to a wireless base station antenna, the lower the power output.

The exposure standard for wireless employs a unit of measurement known as the Specific Absorption Rate, or SAR. The SAR limit set by the FCC is 1.6W/kg.

The FCC has granted an Equipment Authorization for this model device with all reported SAR levels evaluated as in compliance with the FCC RF exposure guidelines. SAR information on this model device is on file with the FCC and can be found under the Display Grant section of www.fcc.gov/oet/ea/fccid after searching on

FCC ID: V5PAR8

For this device, the highest reported SAR value for usage near the body is 1.19W/kg

While there may be differences between the SAR levels of various devices and at various positions, they all meet the government requirement.

ISED Notice

This device complies with Innovation, Science and Economic Development Canada license-exempt RSS standard(s). Operation is subject to the following two conditions:

- (1) this device may not cause interference, and
- (2) this device must accept any interference, including interference that may cause undesired operation of the device.

Le présent appareil est conforme aux CNR Innovation, Sciences et Développement économique Canada applicables aux appareils radio exempts de licence. L'exploitation est autorisée aux deux conditions suivantes:

- (1) l'appareil ne doit pas produire de brouillage, et
- (2) l'utilisateur de l'appareil doit accepter tout brouillage radioélectrique subi, même si le brouillage est susceptible d'en

IC: 11689A-AR8

ISED Radiation Exposure Statement

This EUT is in compliance with SAR for general population/uncontrolled exposure limits in ISED RSS-102 and had been tested in accordance with the measurement methods and procedures specified in IEEE 1528 and IEC 62209. This device and its antenna(s) must not be co-located or operating in conjunction with any other antenna or transmitter.

Cet appareil est conforme aux limites d'exposition DAS incontrôlée pour la population générale de la norme CNR-102 science de l'innovation et le développement économique Canada et a été testé en conformité avec les méthodes de mesure et procédures spécifiées dans IEEE 1528 et IEC 62209. Cet appareil et sa ou ses antennes ne doivent pas être co-localisés ou fonctionner en conjonction avec tout autre antenne ou transmetteur.

RSS-247 Chapter 6.4

The device could automatically discontinue transmission in case of absence of information to transmit, or operational failure. Note that this is not intended to prohibit transmission of control or signaling information or the use of repetitive codes where required by the technology.

the device for operation in the band 5150–5250 MHz is only for indoor use to reduce the potential for harmful interference to co-channel mobile satellite systems;

In addition, high-power radars are allocated as primary users (i.e. priority users) of the bands 5250–5350 MHz and 5650–5850 MHz and that these radars could cause interference and/or damage to LE-LAN devices.

L'appareil peut interrompre automatiquement la transmission en cas d'absence d'information à transmettre ou d'échec opérationnel. Il est à noter que cela ne vise pas à interdire la transmission de données de contrôle ou de signalisation ou l'utilisation de codes répétitifs lorsque la technologie l'exige.

-le dispositif de fonctionnement dans la bande 5150 – 5250 MHz n'est utilisé qu'à l'intérieur pour réduire les risques d'interférences nuisibles pour les systèmes mobiles par satellite à co-canal;

En outre, les radars de haute puissance sont attribués en tant qu'utilisateurs principaux (c.-à-d. utilisateurs prioritaires) des bandes 5250 – 5350 MHz et 5650 – 5850 MHz et que ces radars pourraient causer des interférences et/ou endommager les dispositifs LAN-le.

P/N: 201312000000375

This document is provided to you for informational purposes only. All features and specifications are subject to change without notice. PAX's name and PAX's logo are registered trademarks of PAX Technology Inc. All rights reserved.



PAX TECHNOLOGY LIMITED.

Manufacturer: PAX Computer Technology (Shenzhen) Co.,Ltd.

Address: 4/F, No.3 Building, Software Park, Second Central Science-Tech Road, High-Tech Industrial Park, Shenzhen, Guangdong, P.R.C.

Tel: 0755-86169630 Fax: 0755-86169634

Website: <http://www.pax.com.cn>

Responsible Party: PAX Technology, Inc.

**8880 Freedom Crossing Trail, Building 400, 3rd Floor Suite 300,
Jacksonville , Florida, 32256**

Tony Fernandez

M: +1 623-640-9529