



Aries8 Family

QUICK SETUP GUIDE

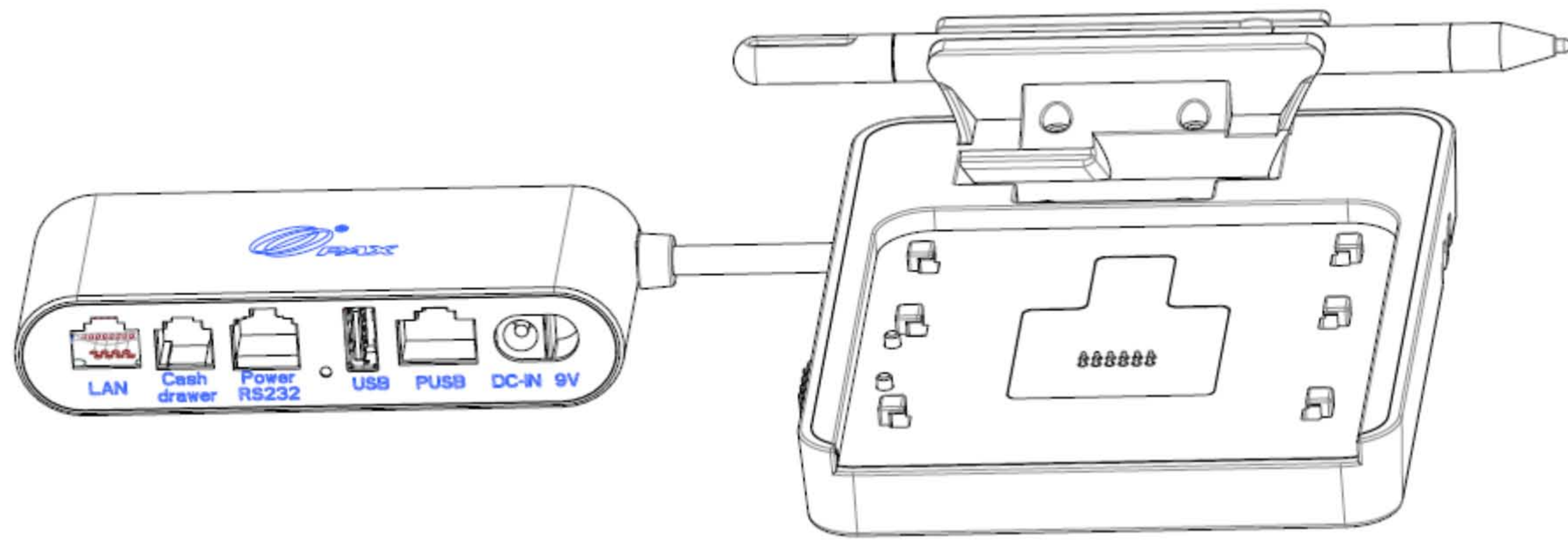
Note: Product images shown may be different than actual product received

PAX TECHNOLOGY INC.

Contents

Welcome To The Aries8 Family.....	1
Aries8 Tablet.....	3
Aries8 Box Contents.....	4
Install and Remove SIM and SAM Cards.....	5
Privacy Shield Options.....	6
Payment Options.....	7
AR8M.....	8
Install and Remove AR8-Handle.....	9
AR8S.....	10
Install Aries8 Tablet on AR8-Stand.....	11
Remove Aries8 Tablet & Install AR8-Stand.....	12
AR8P.....	13
Install & Remove AR8-Plate.....	14

Welcome To The Aries8 Family

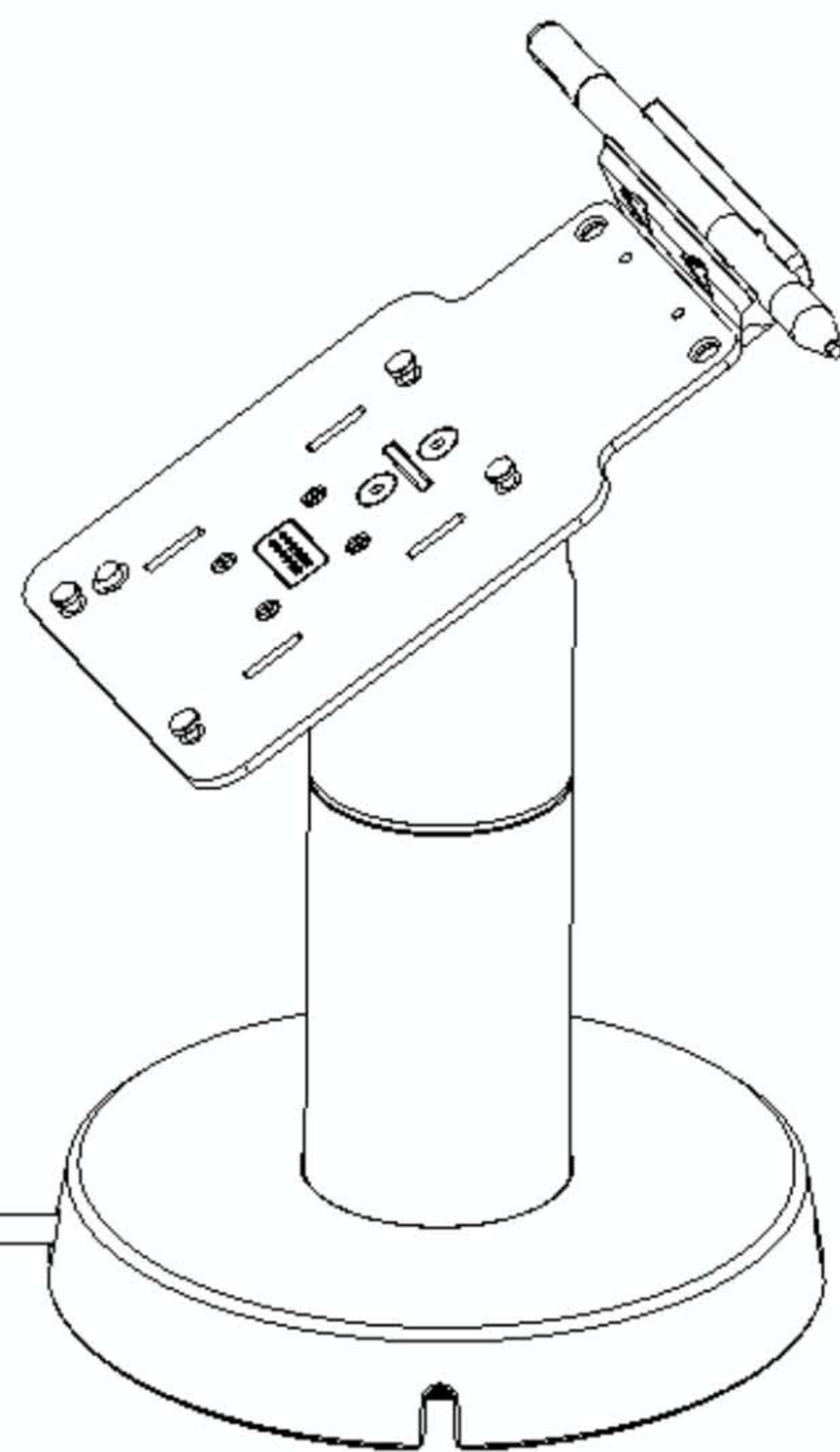


AR8-Plate



AR8-Handle

Aries8

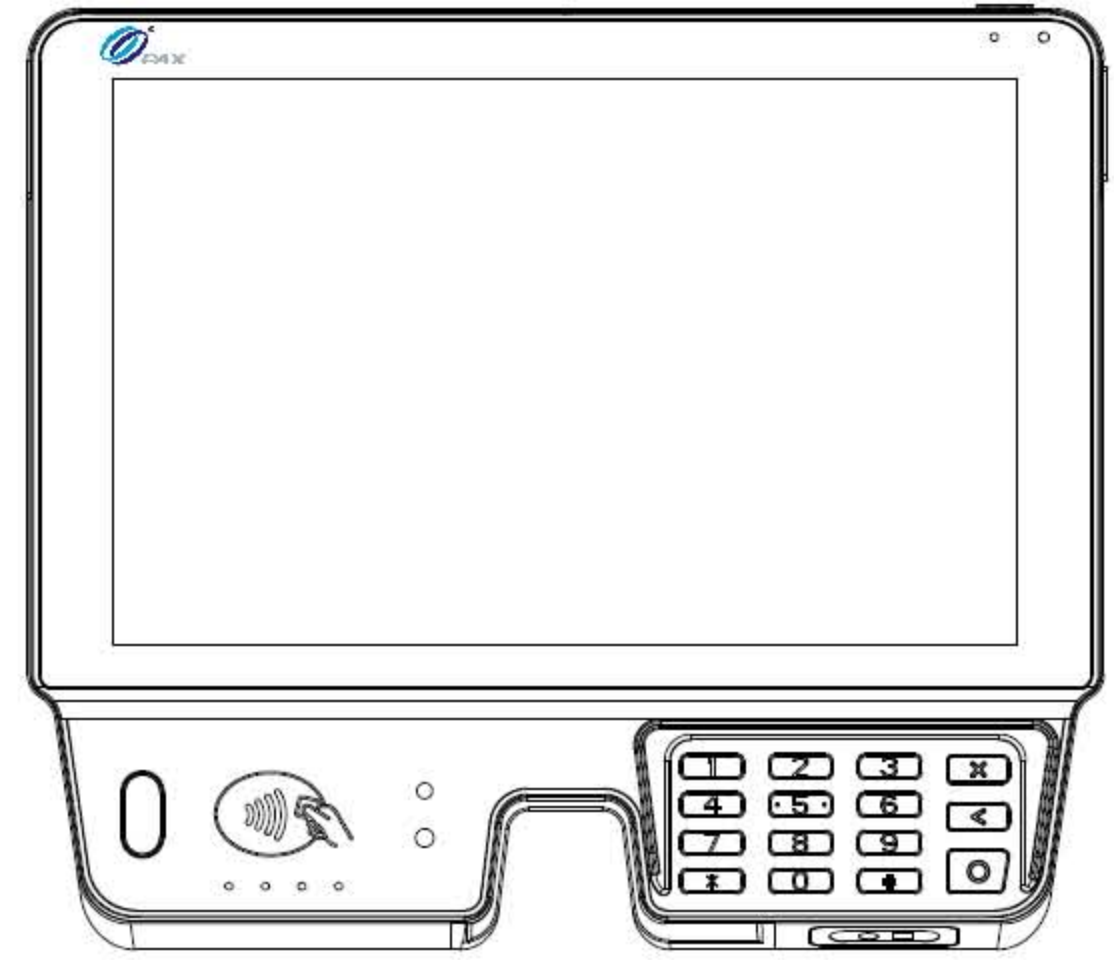
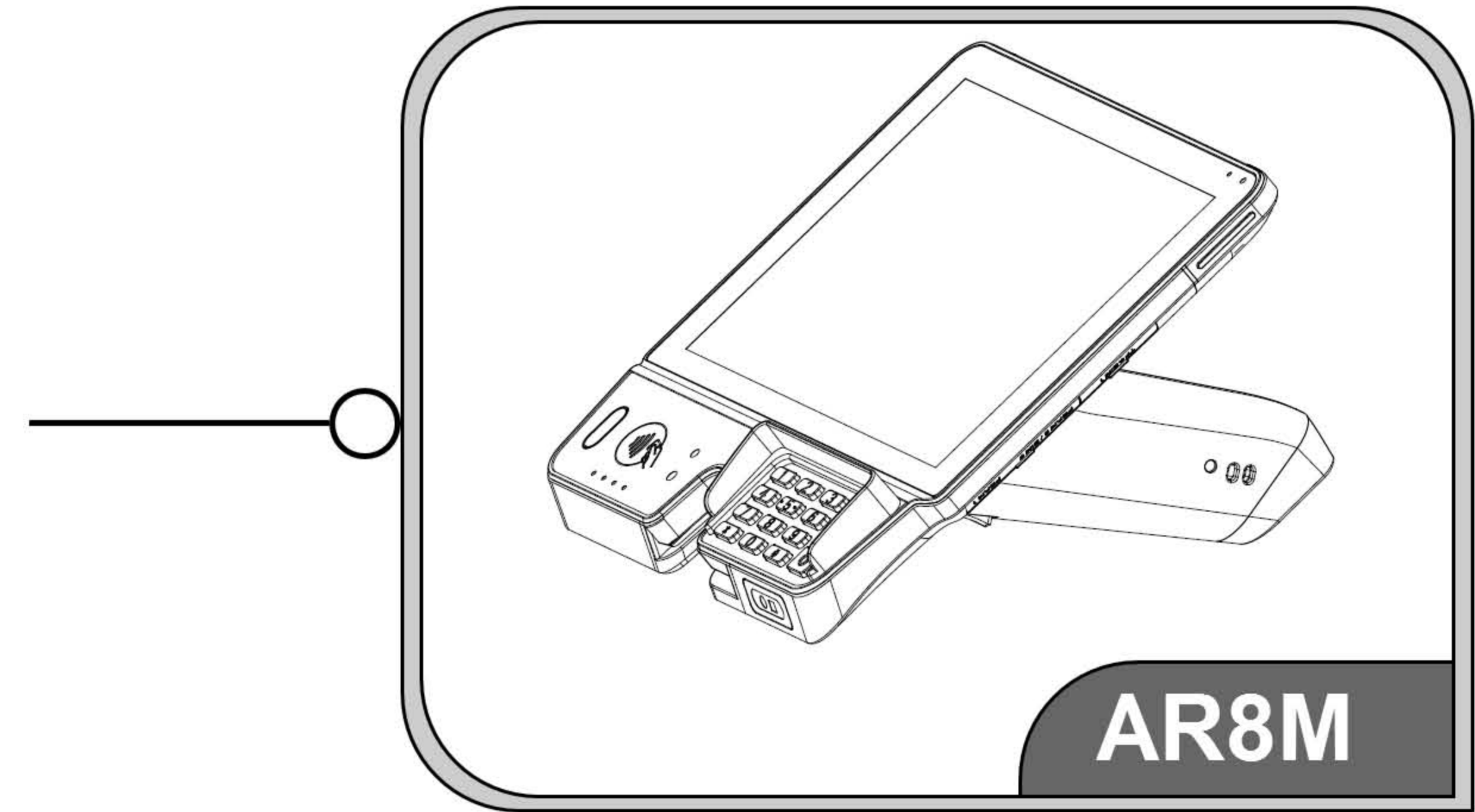
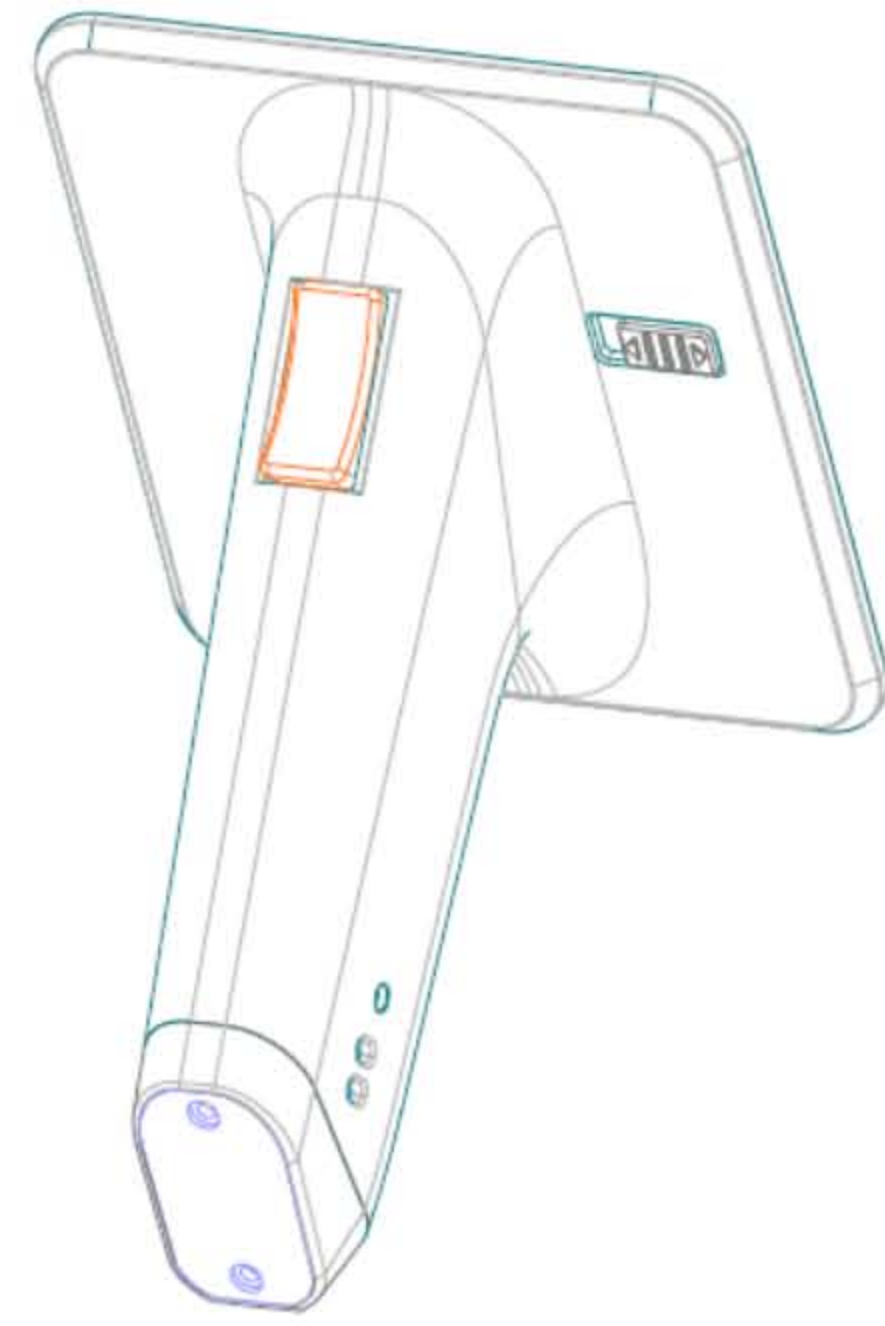


AR8-Stand

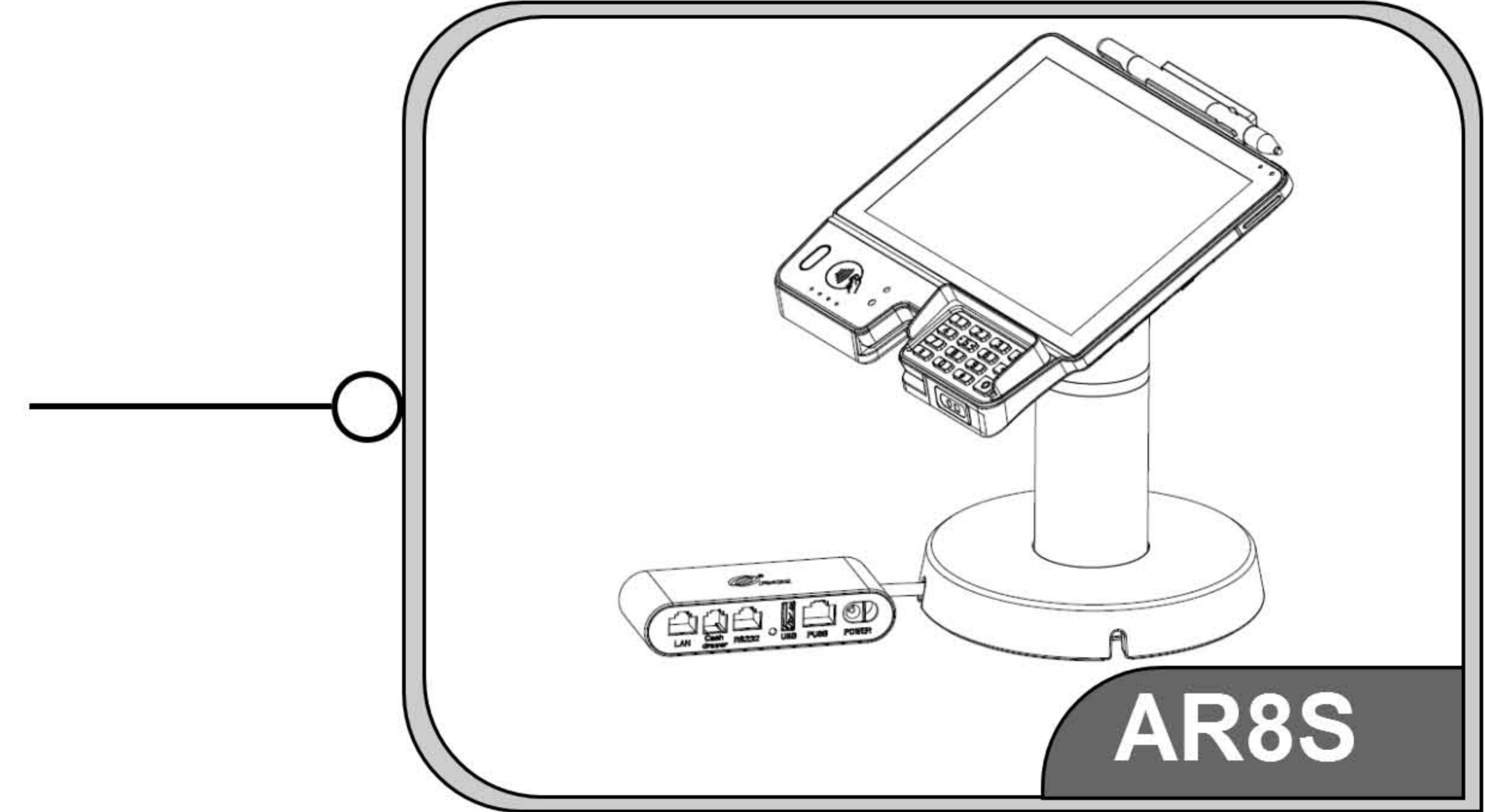
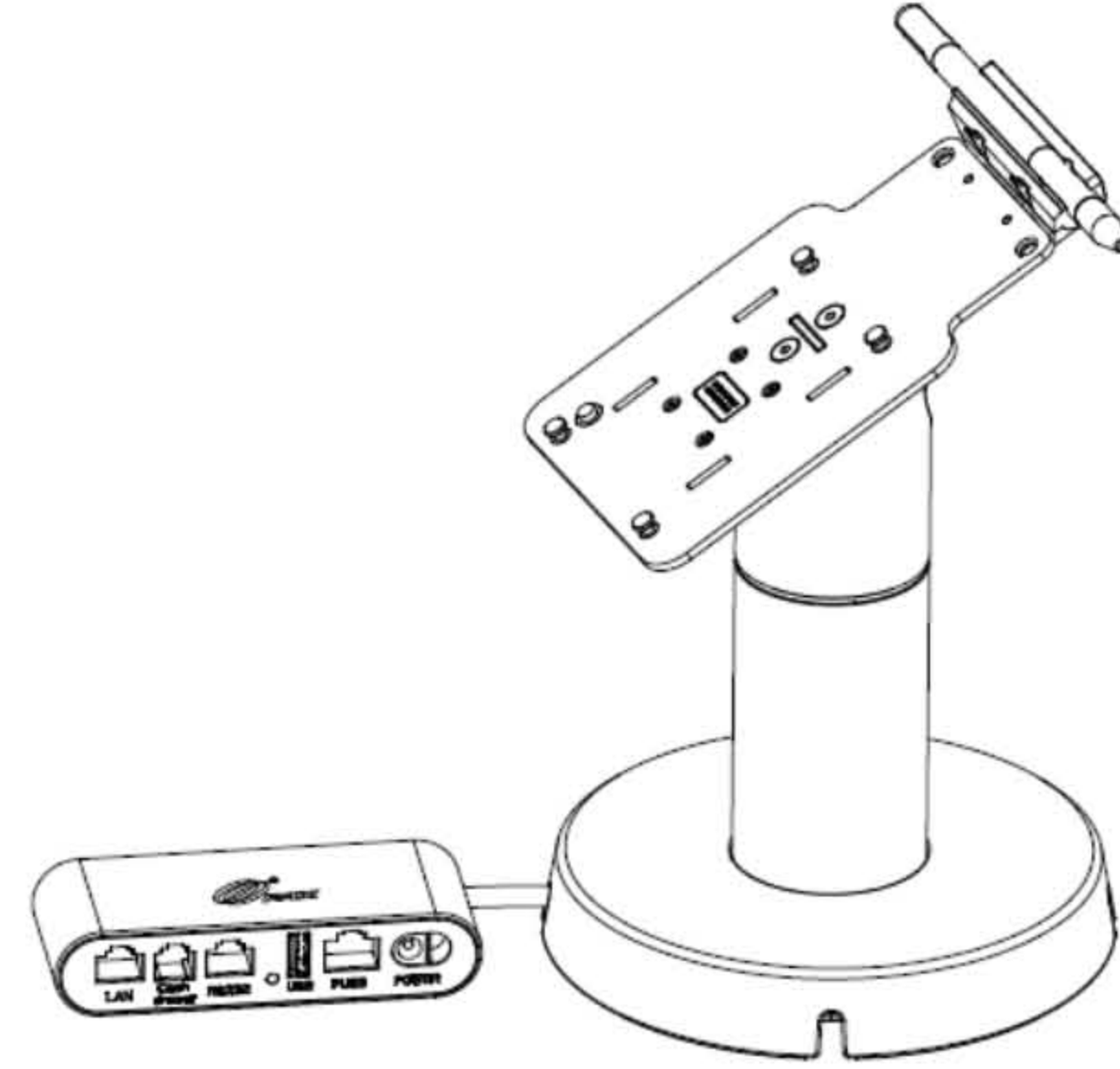
Welcome To The Aries8 Family



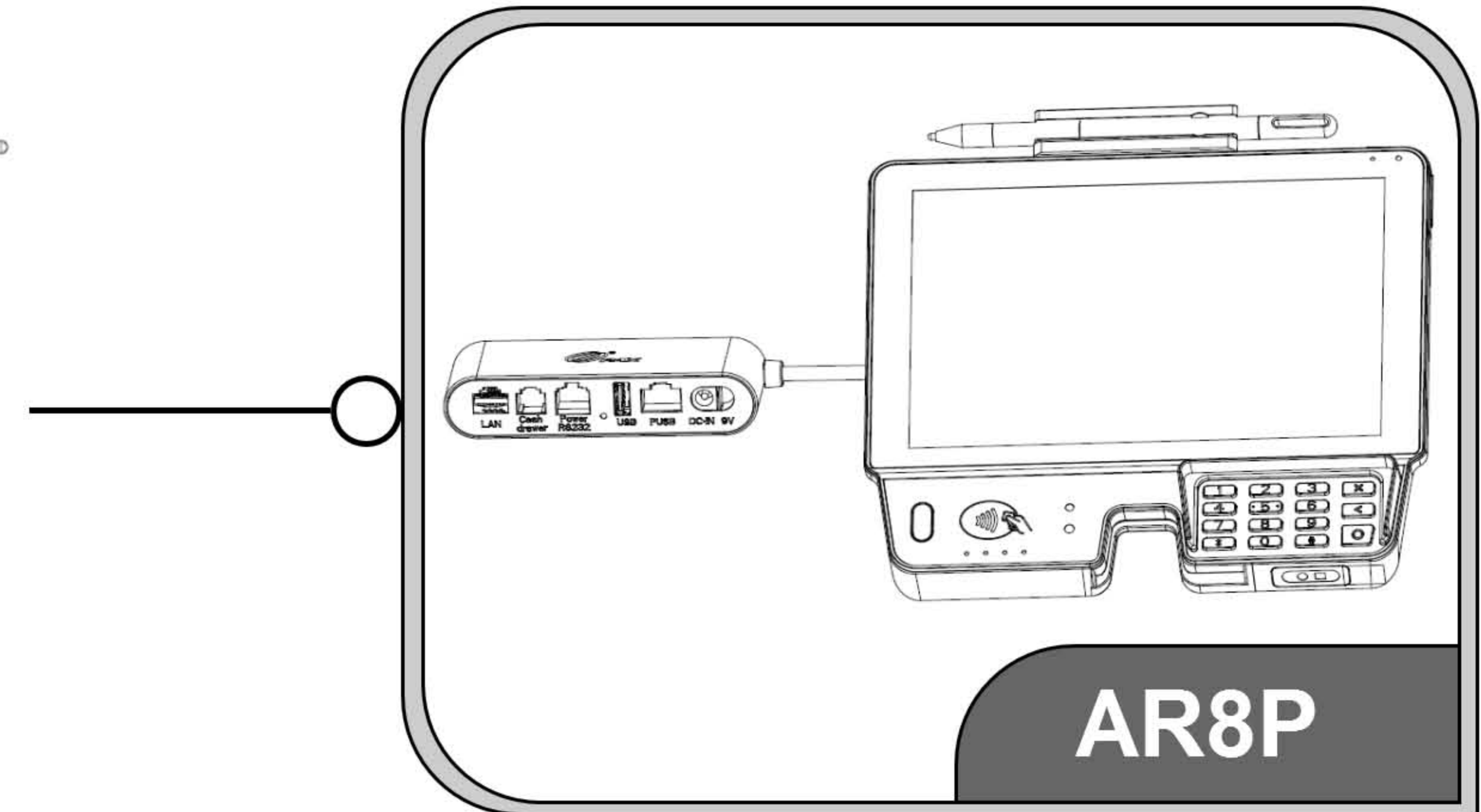
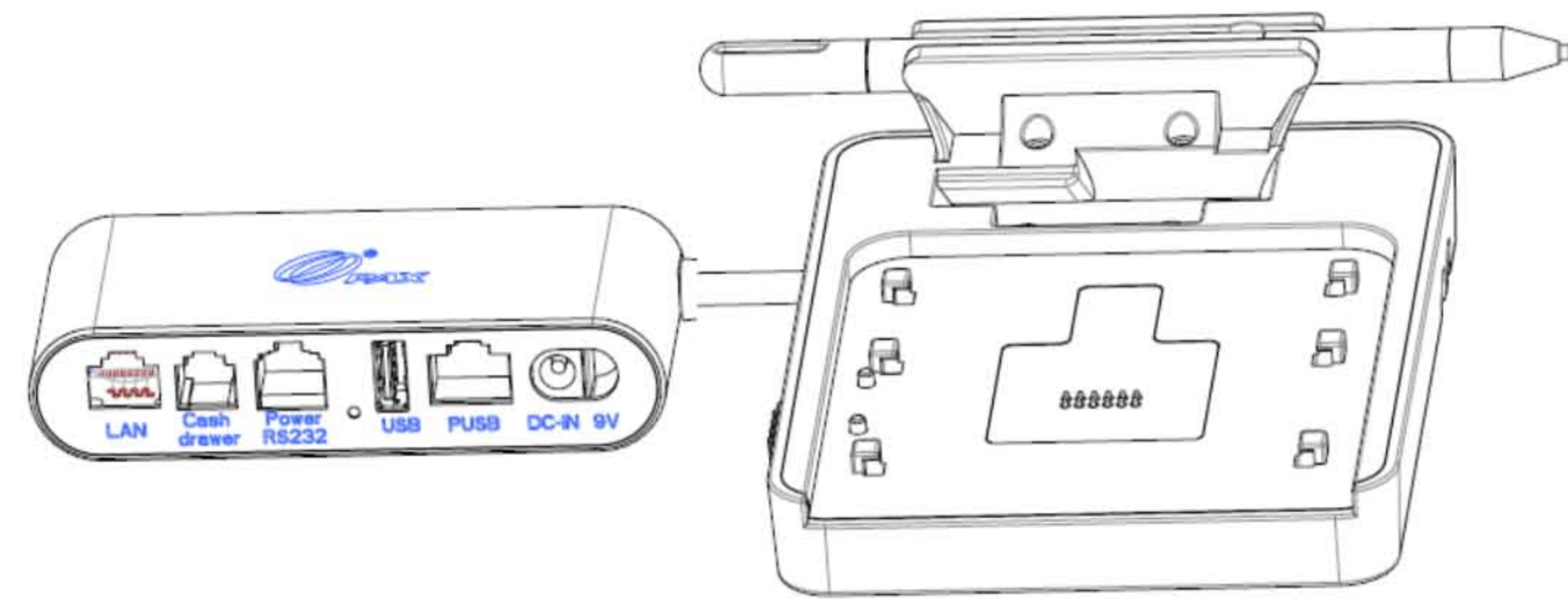
+



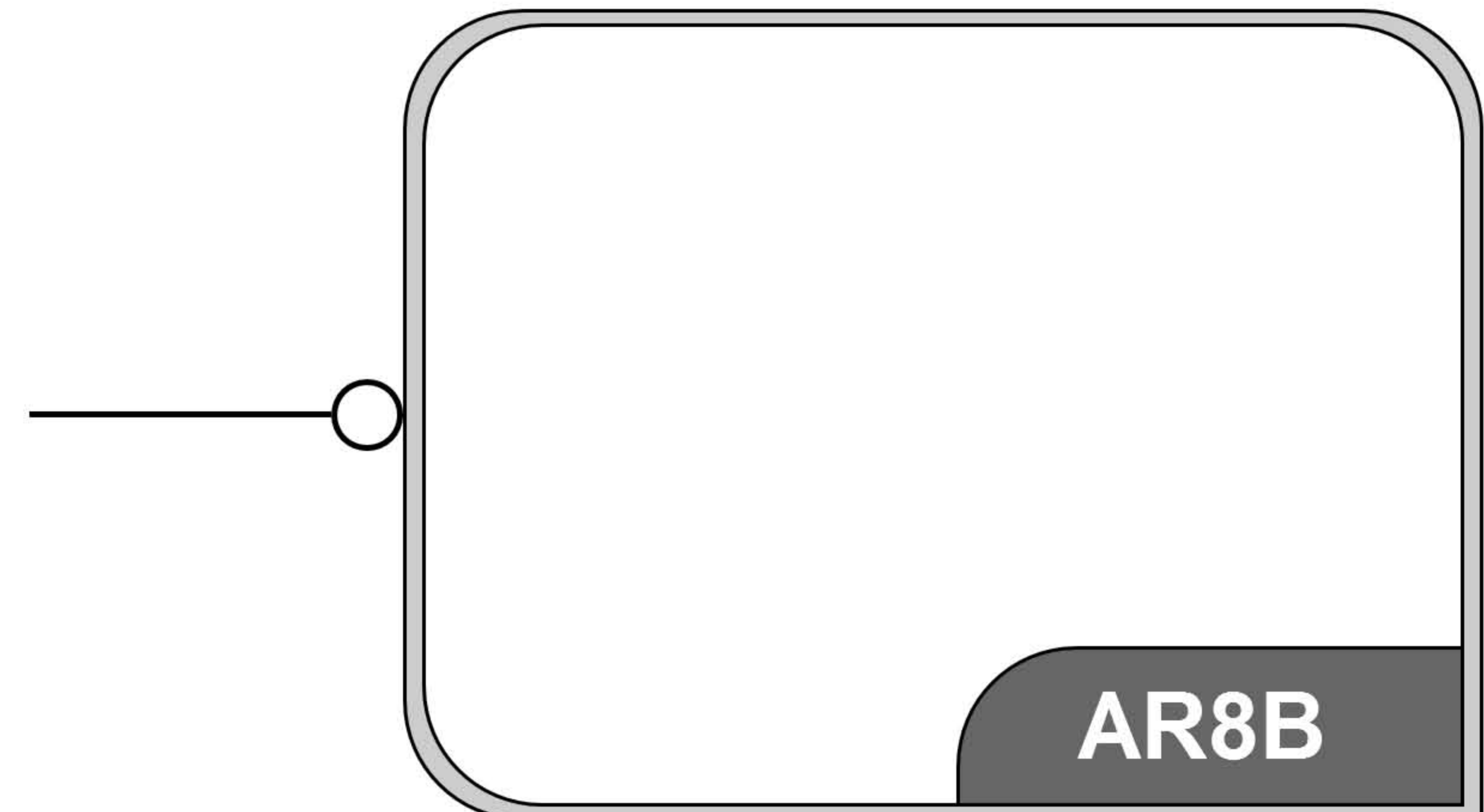
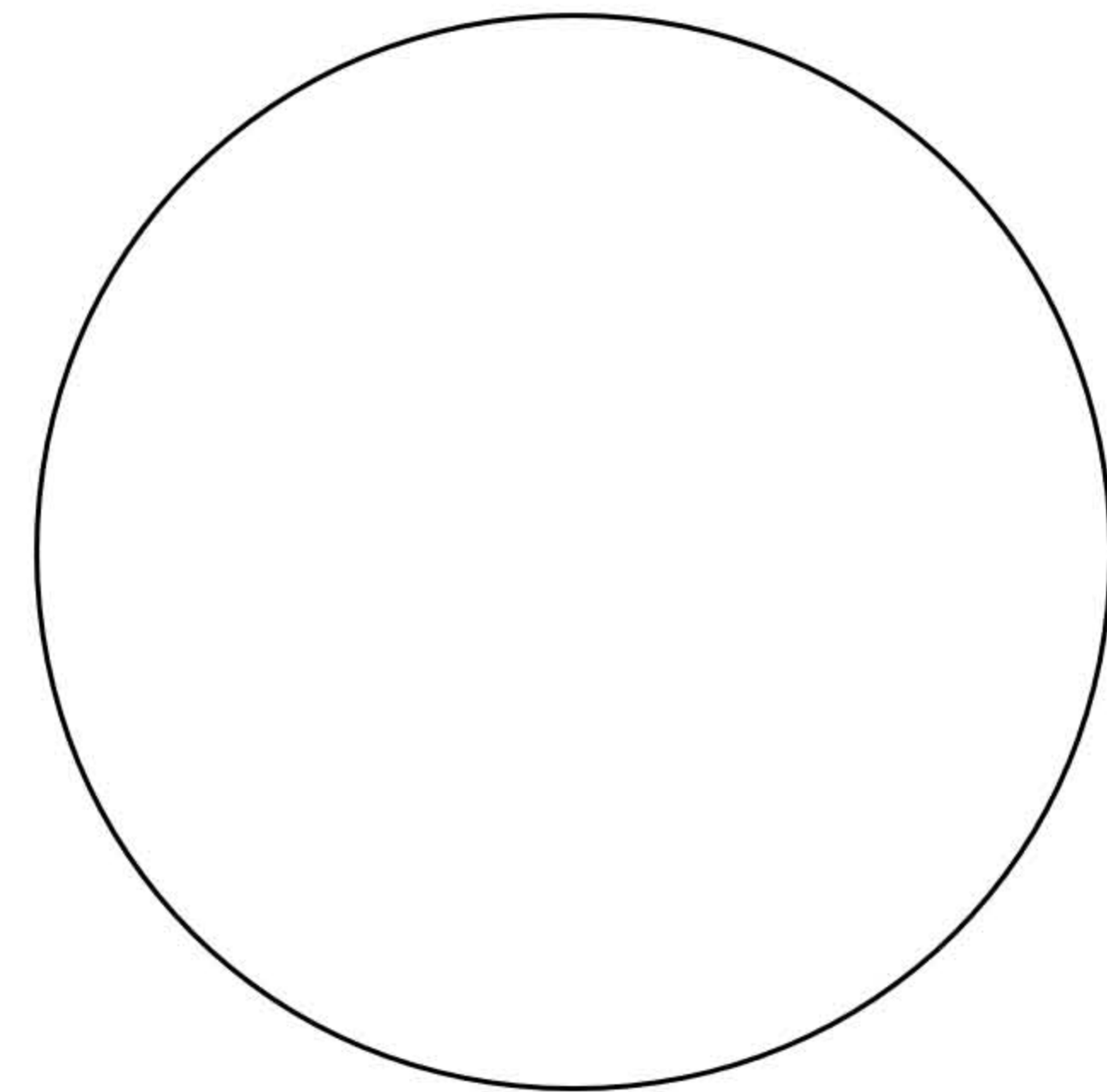
+



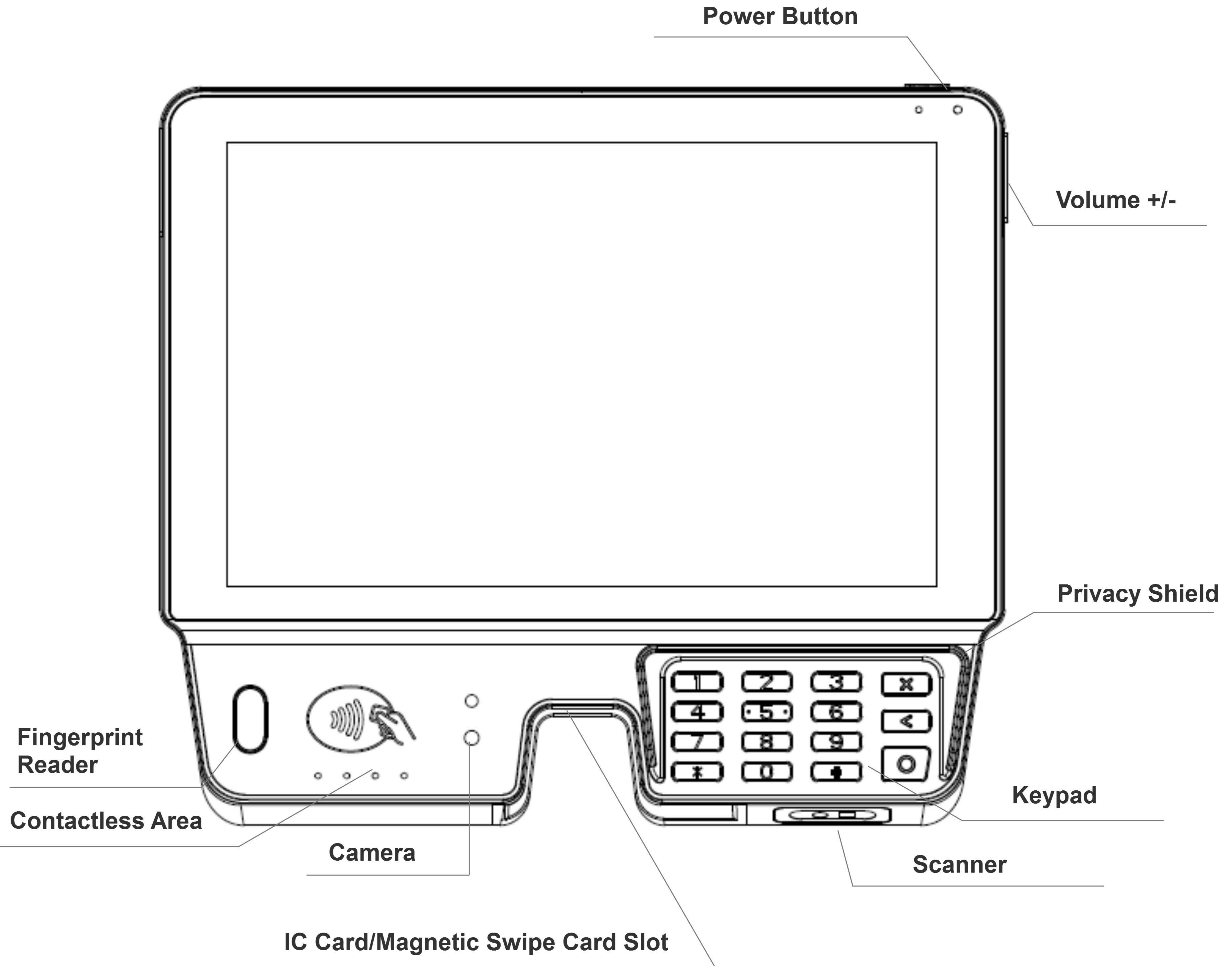
+



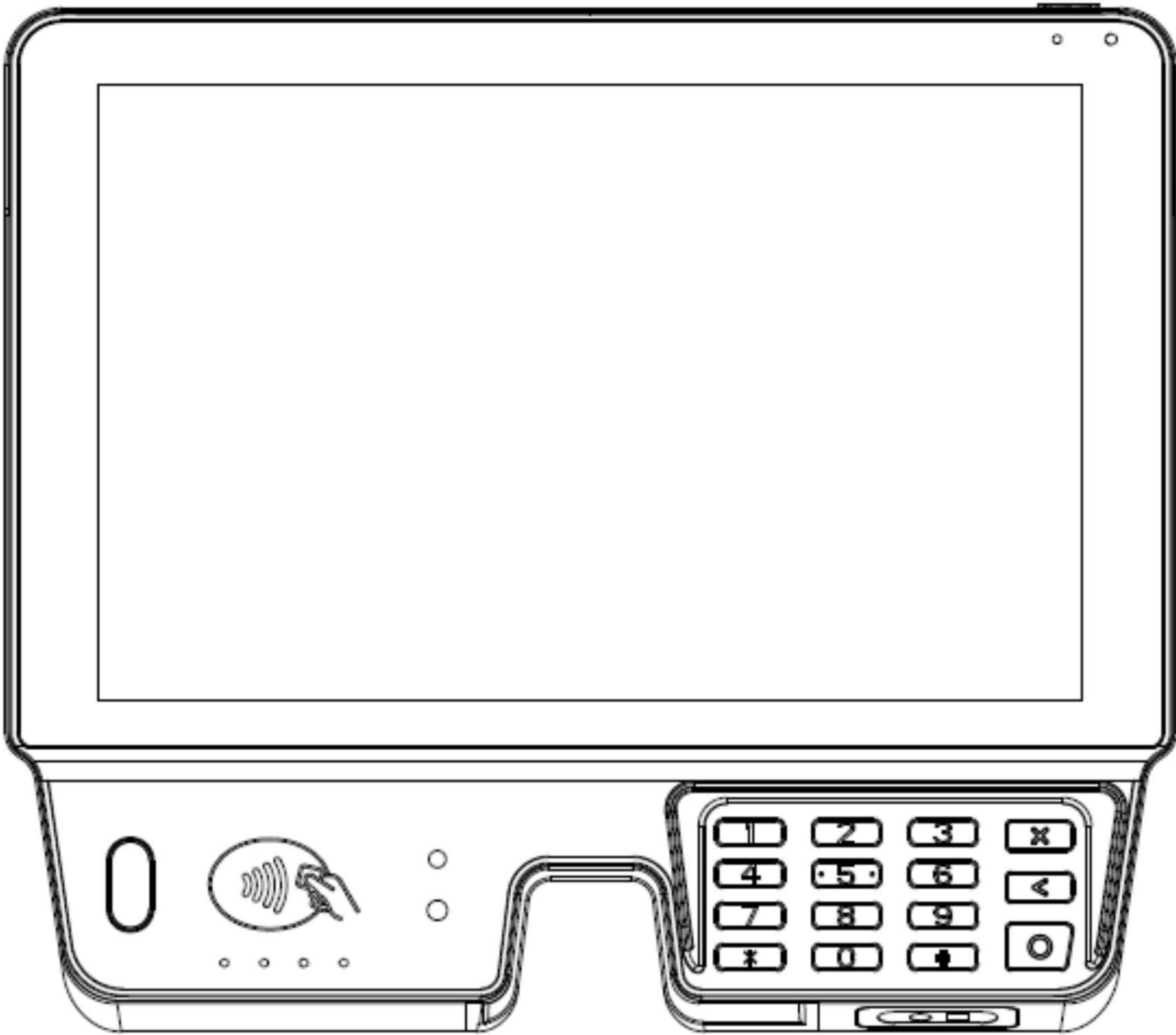
+



Aries8 Tablet

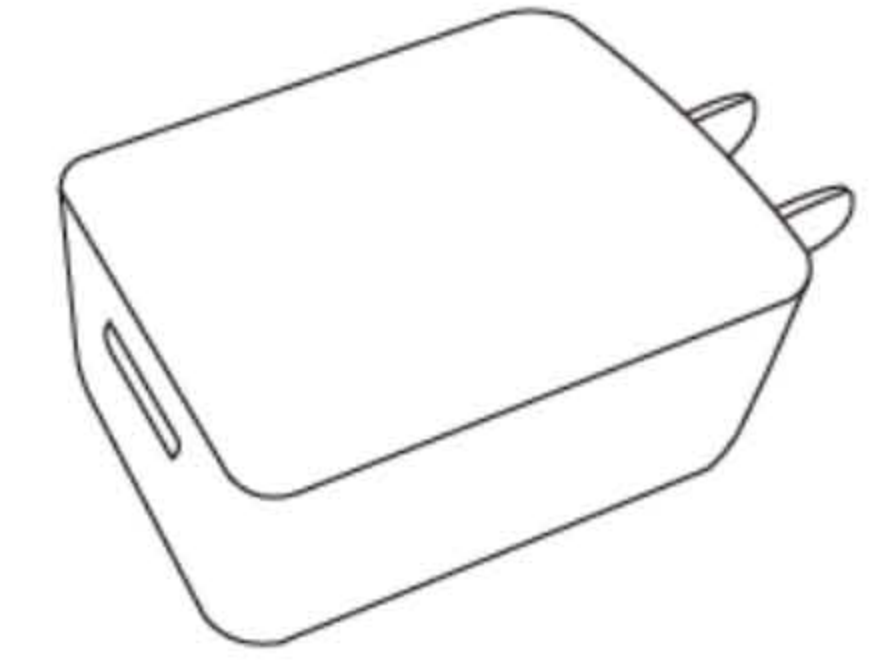


Aries8 Box Contents

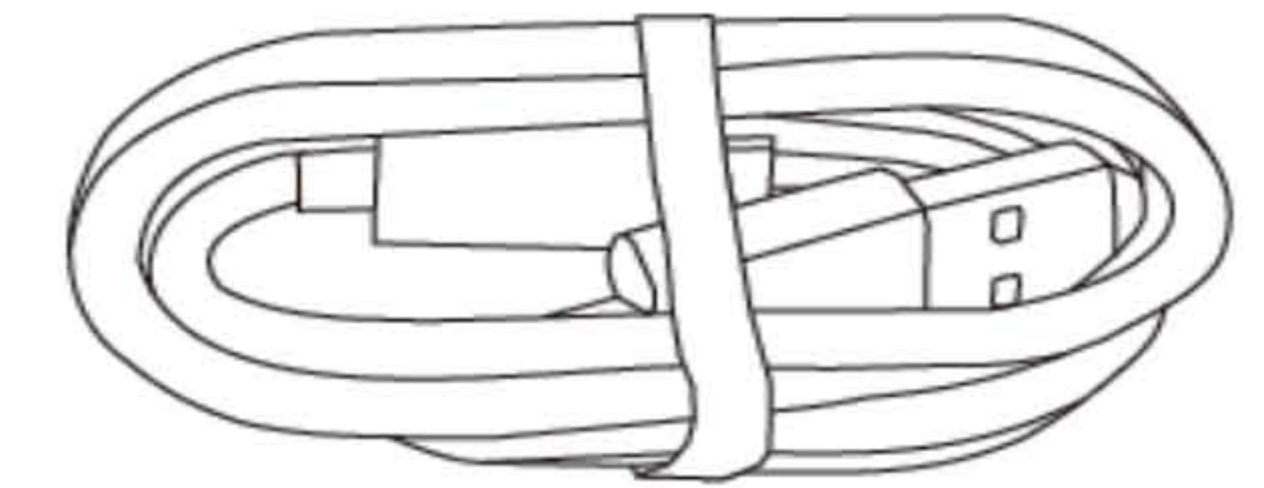


Aries8 Tablet

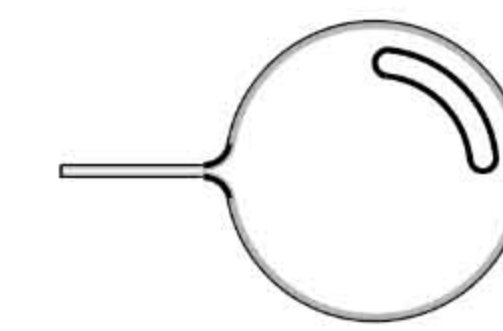
Power Adapter



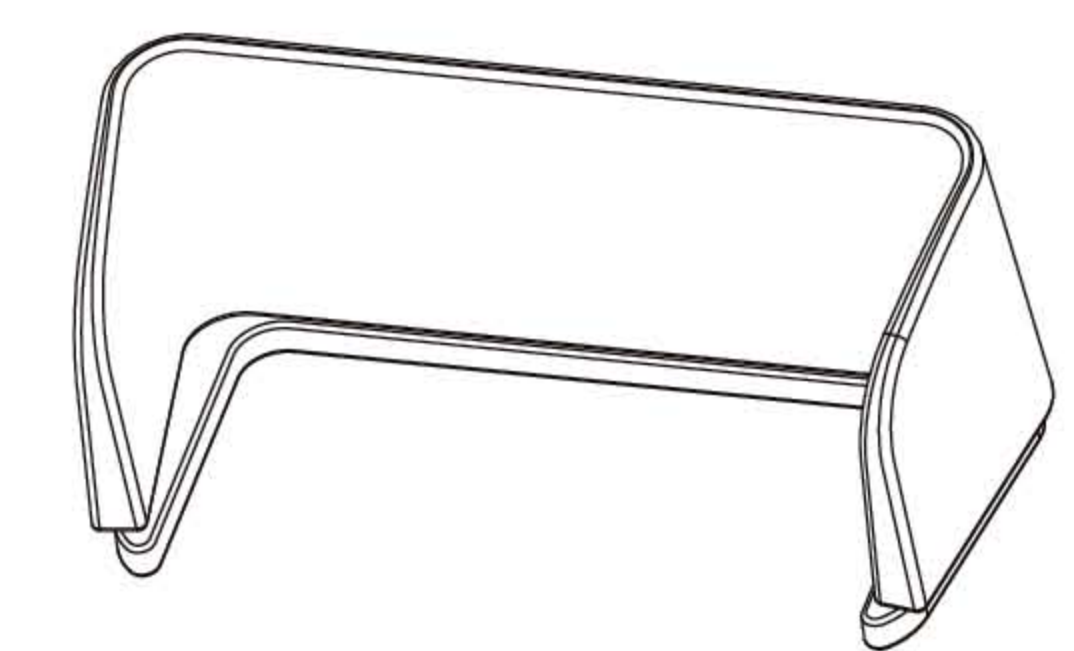
USB Cable



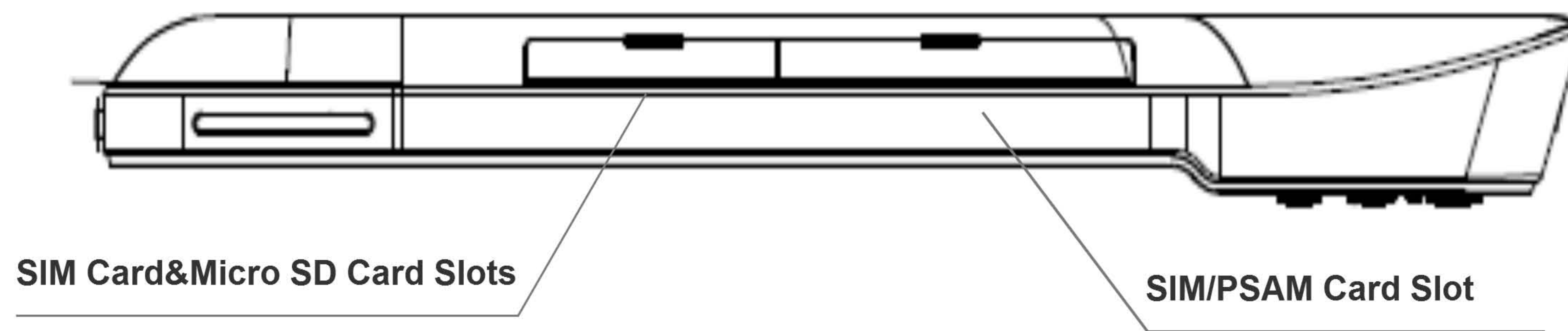
SIM card ejector tool



Privacy Shield Set

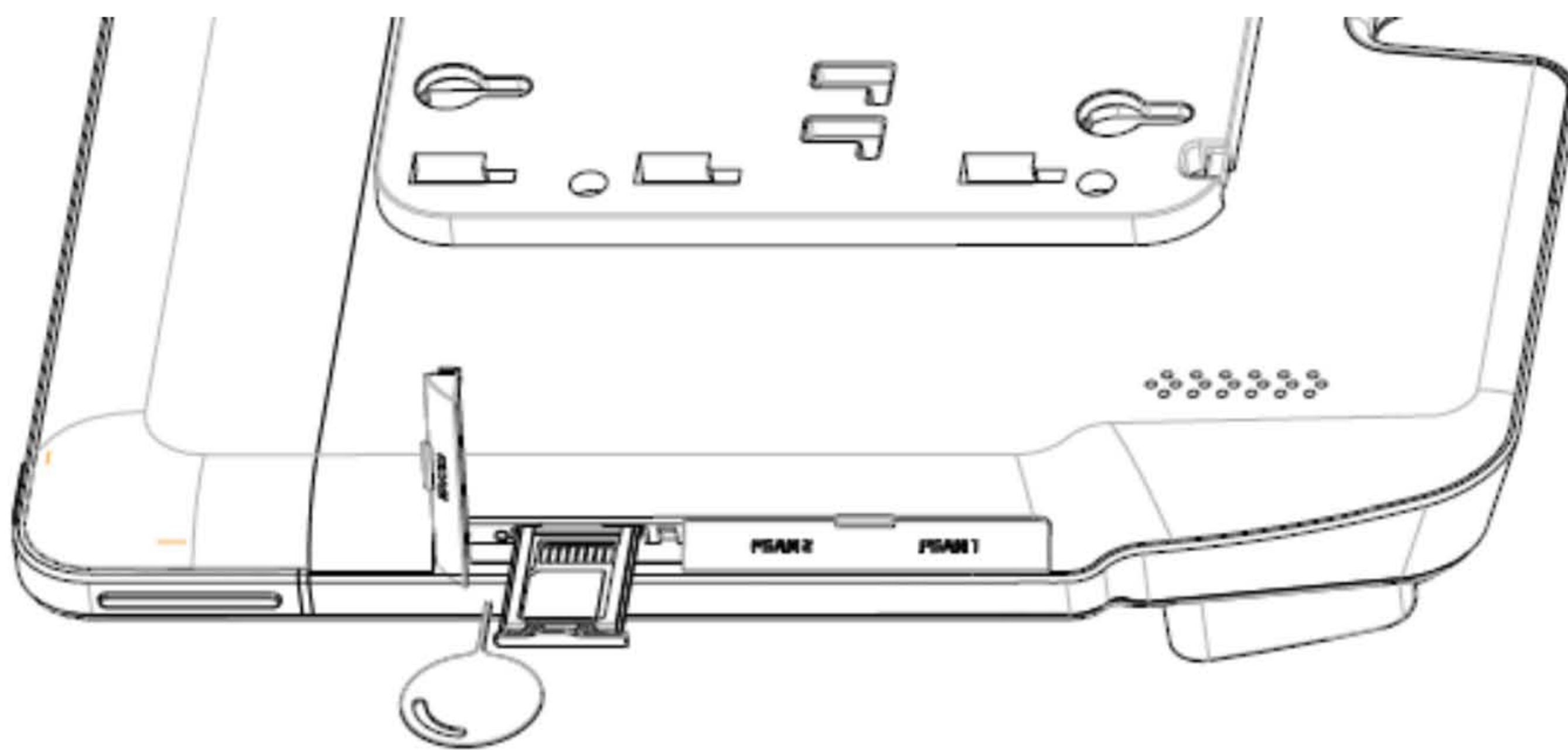


Install and Remove SIM and SAM Cards

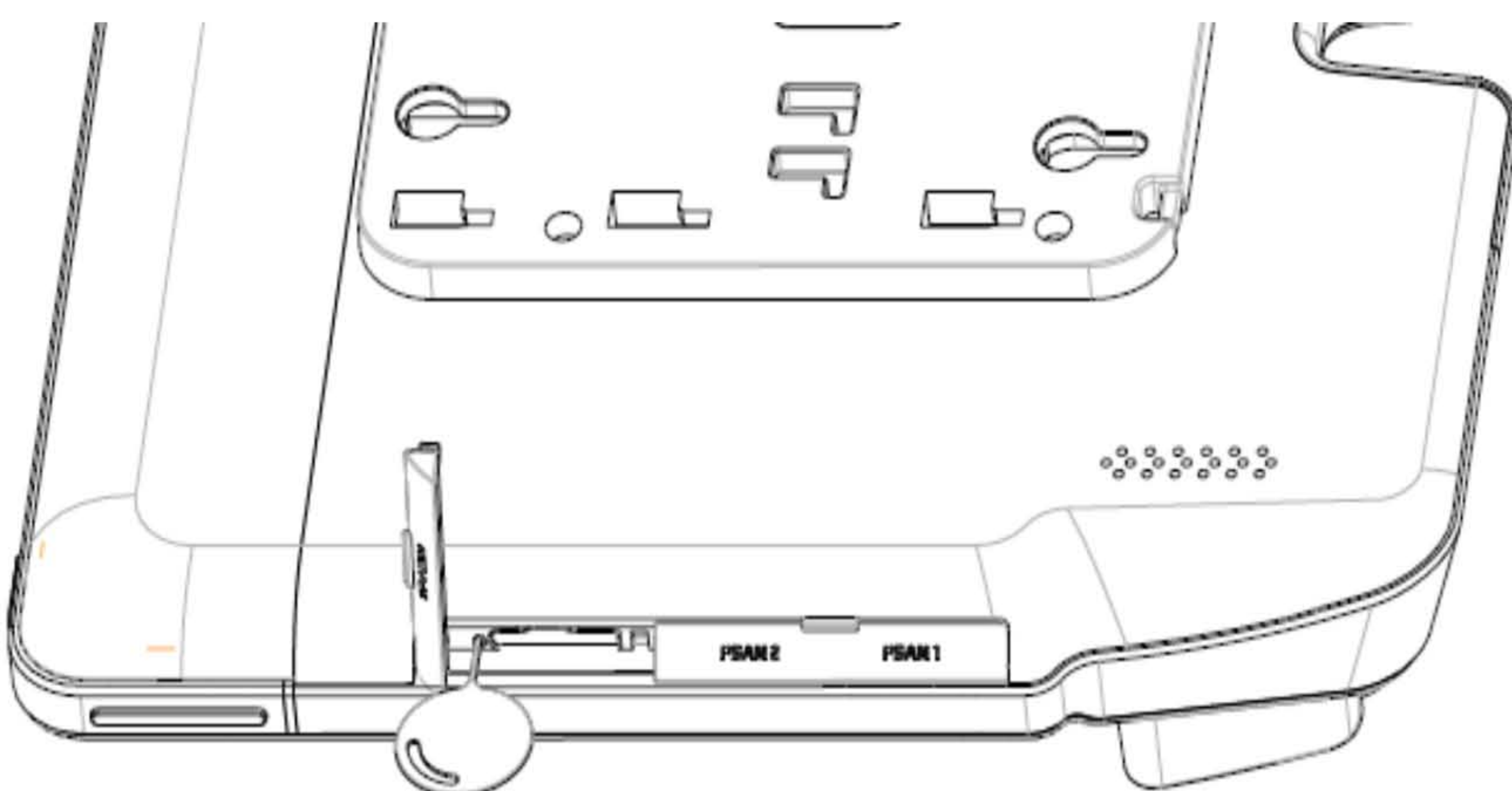


SIM and Micro SD Cards

- **Install** Use ejector tool to open tray. Position SIM Card and Micro SD card on tray. Gently push tray back into slot until firmly seated.

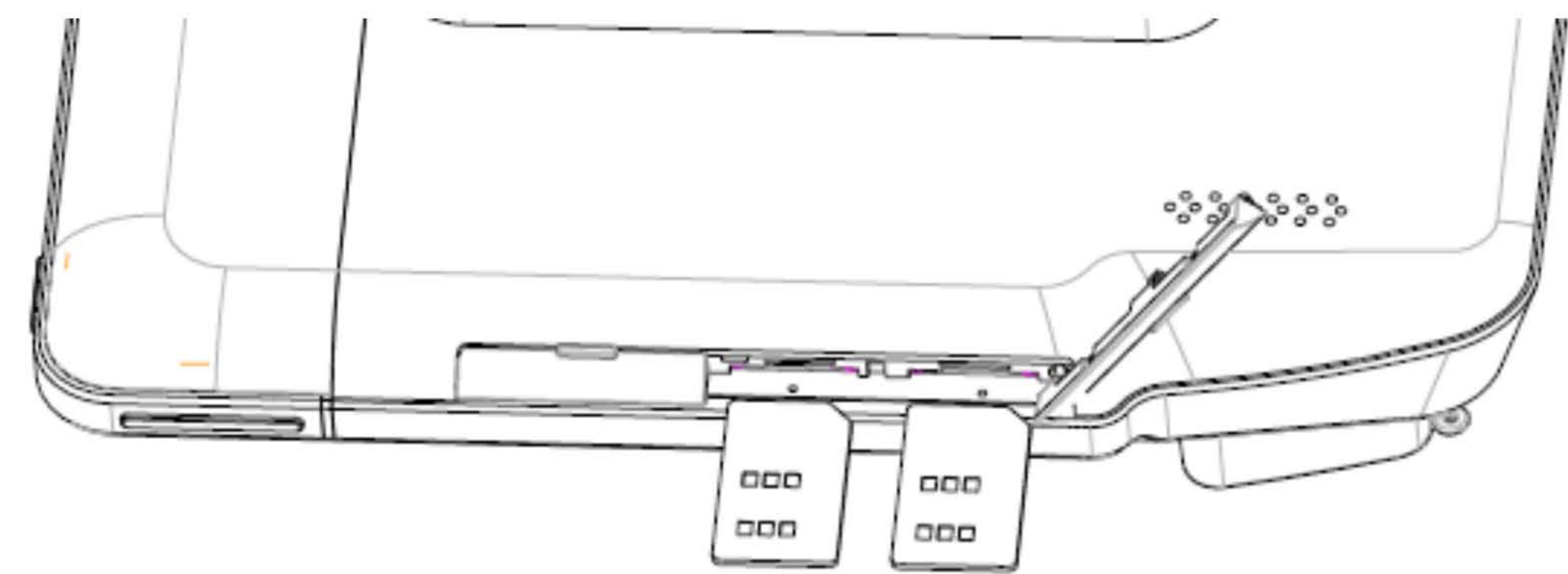


- **Remove** Use ejector tool to open tray, take cards out and gently push tray back into slot until firmly seated.

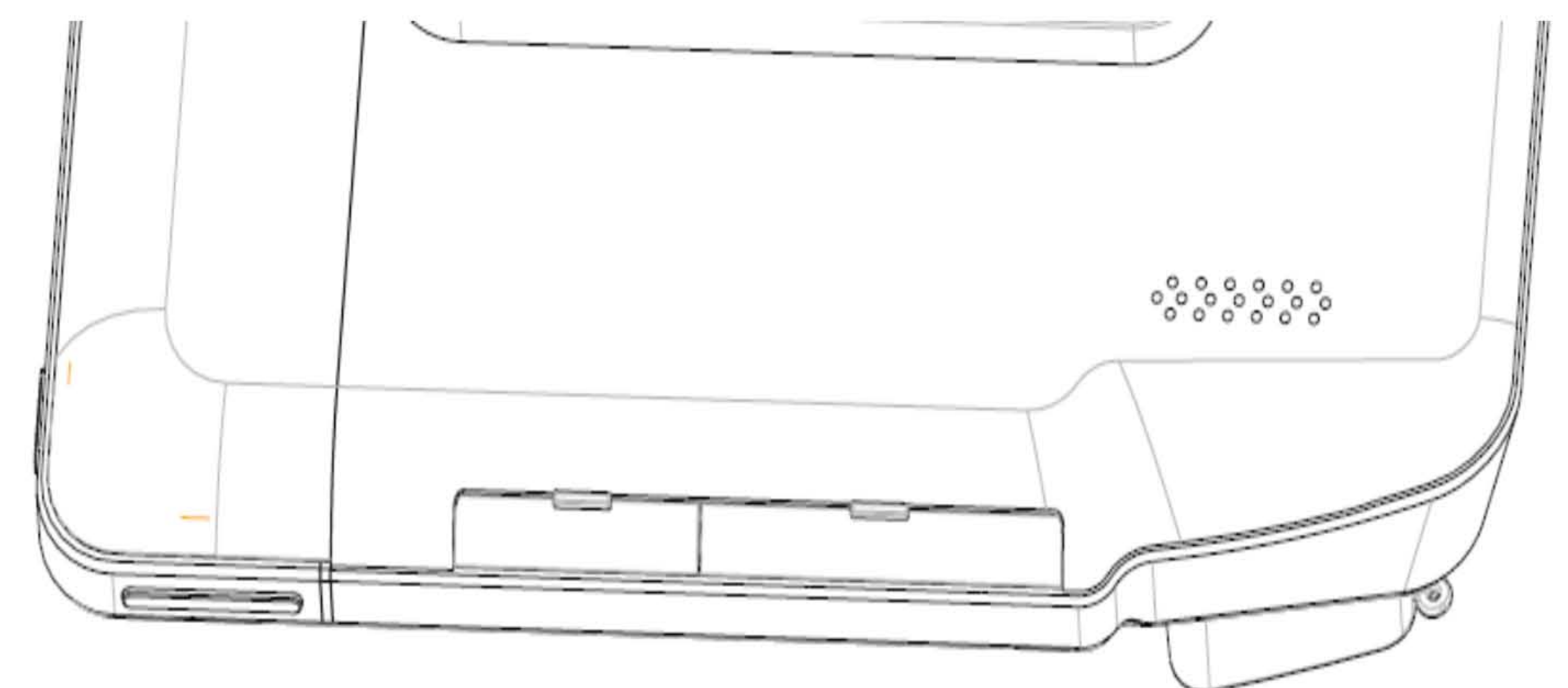


SIM/PSAM Cards

- **Install** Open cover. Insert card with chip facing up. Close SIM/PSAM card slot cover.



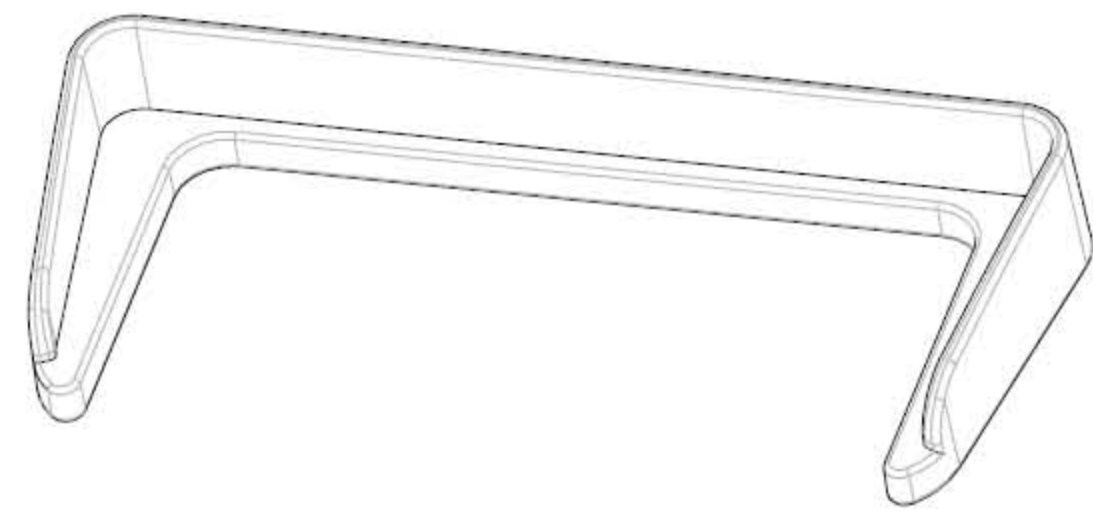
- **Remove** Push SIM/PSAM card further into slot. (The card will then stick out of the slot a little.) Next push card again to remove it.



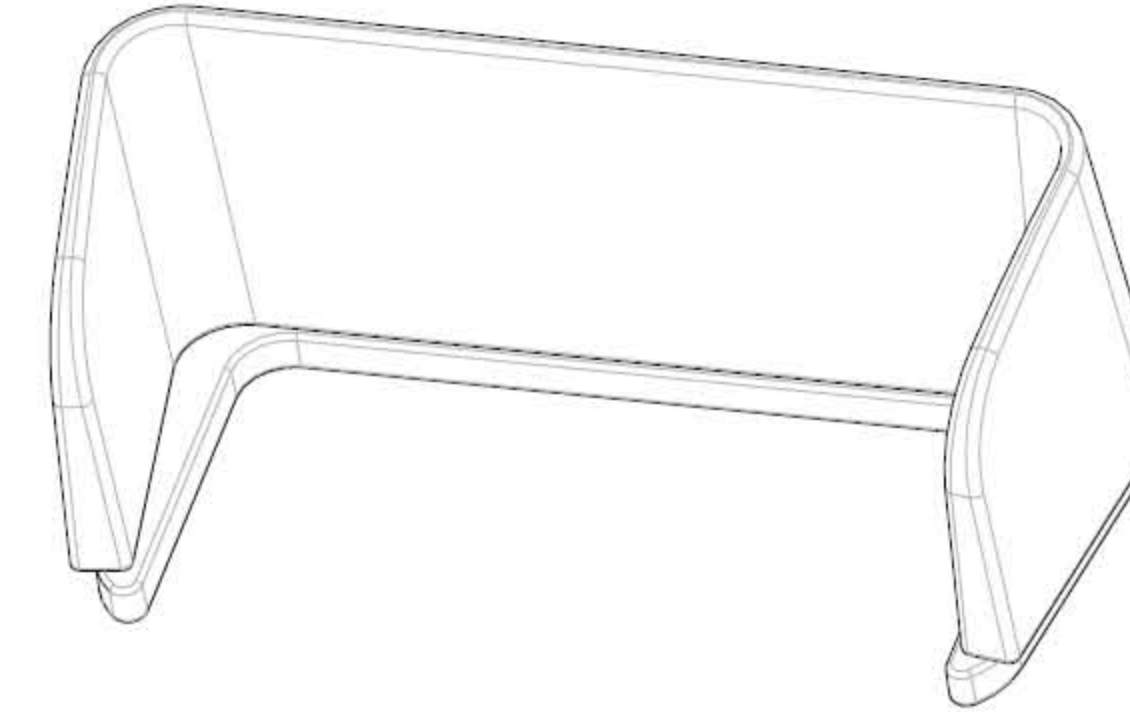
Privacy Shield Options



Caution: If the privacy shield is not installed, you must use PCI-approved alternative methods to secure the tablet keypad.

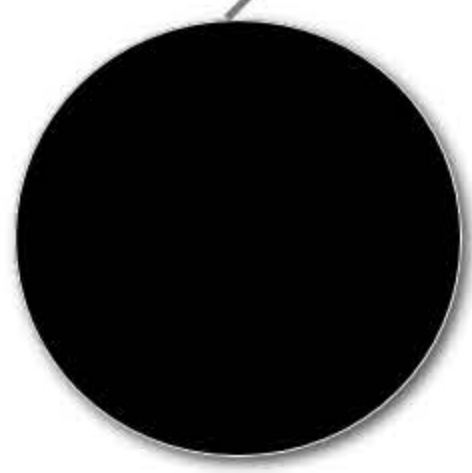


Low Privacy Shield

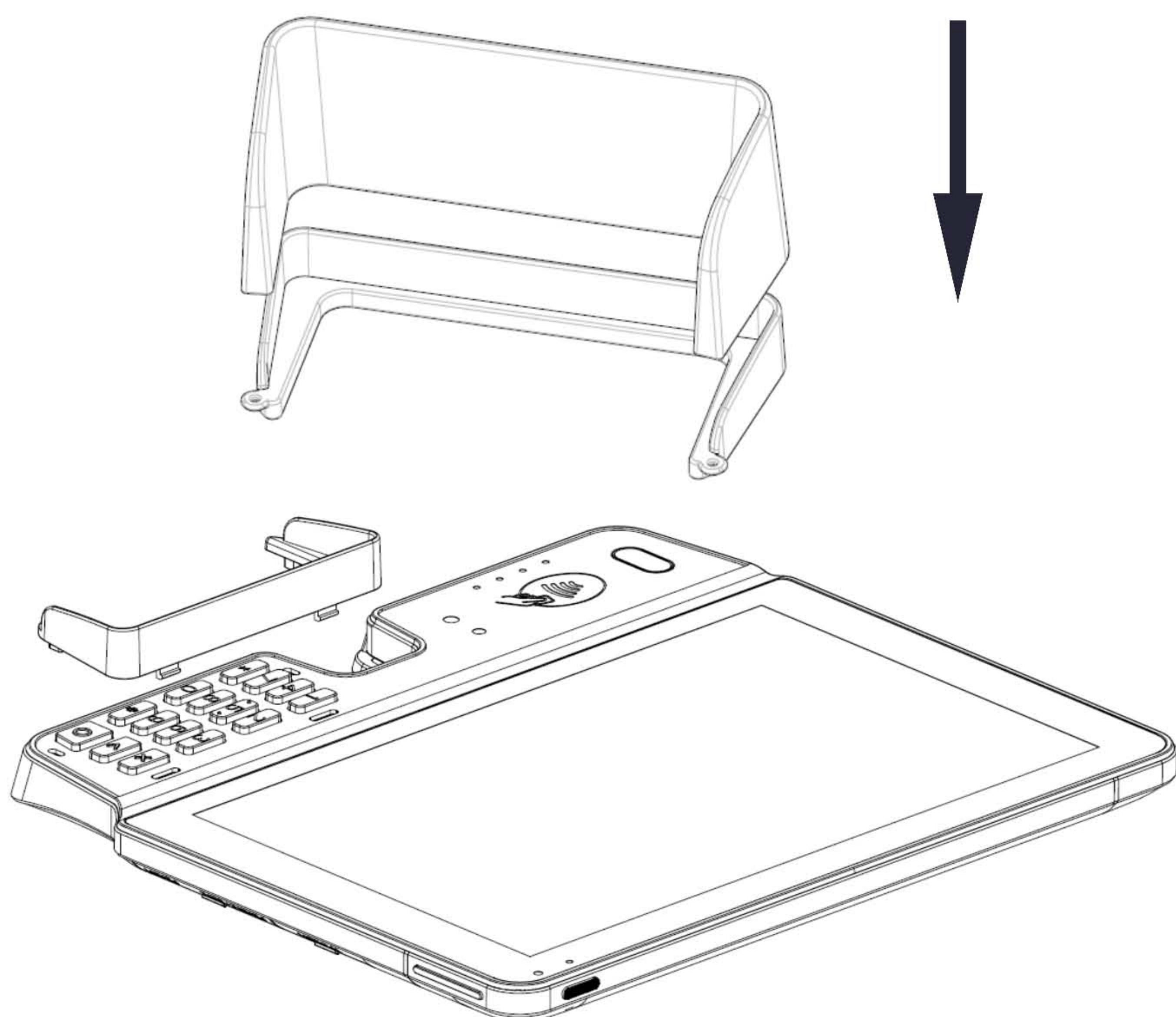


High Privacy Shield

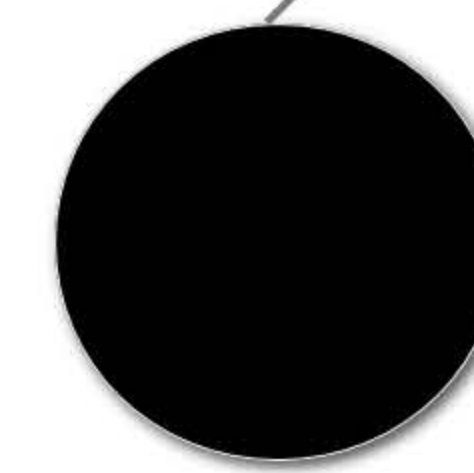
Install High Privacy Shield



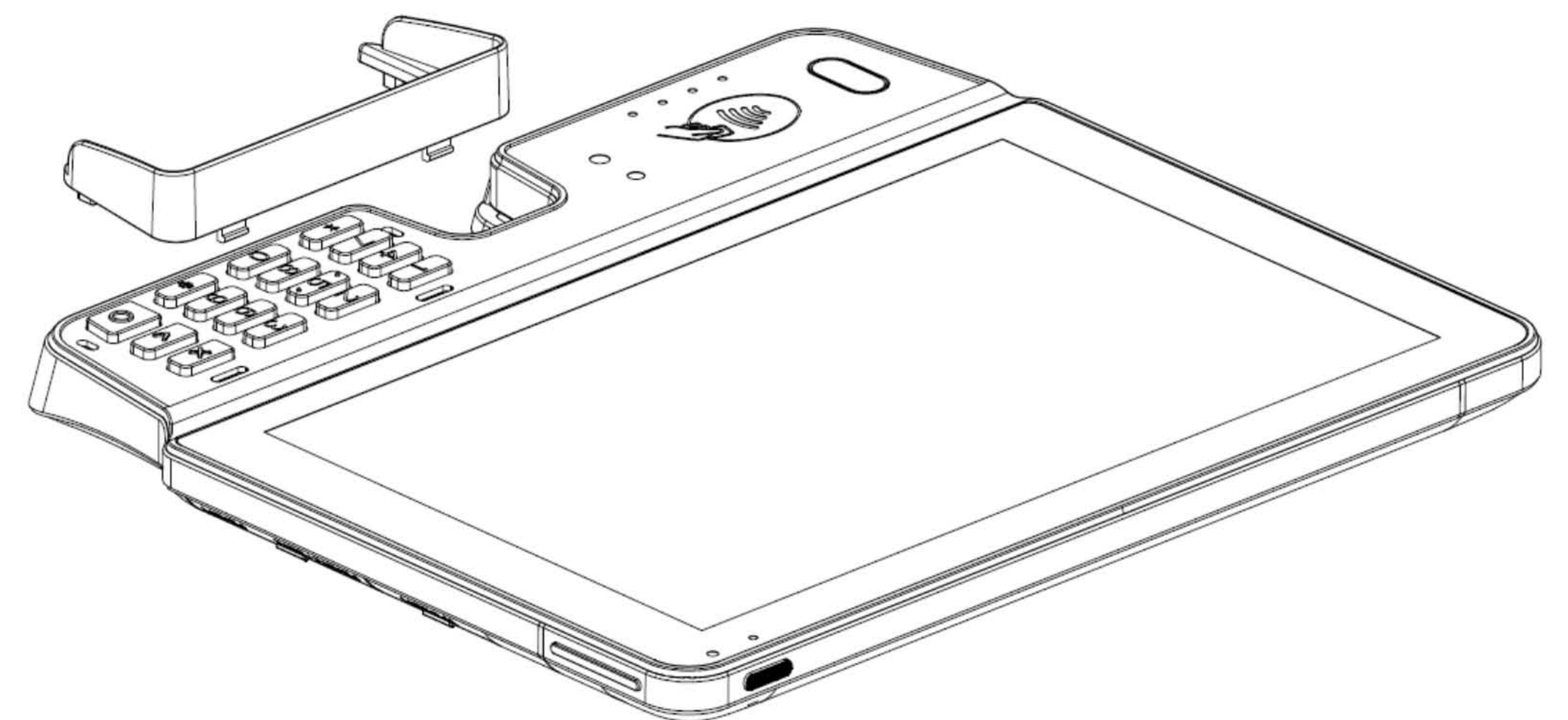
- Snap the higher rubber privacy shield onto the lower one.
- Align the four pegs on privacy shield with the four holes around the tablet keypad.
- Press to secure privacy shield to tablet.



Install Low Privacy Shield

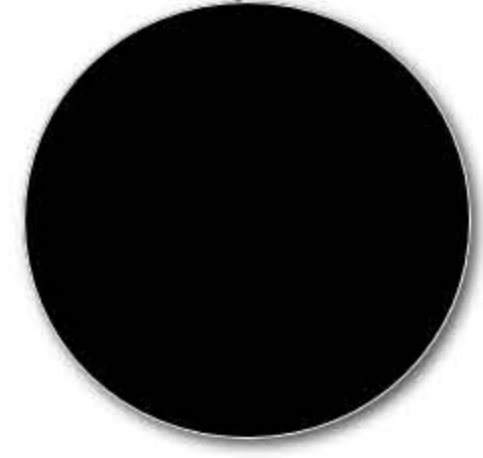


- Align the four pegs on privacy shield with the four holes around the tablet keypad.
- Press to secure privacy shield to tablet.

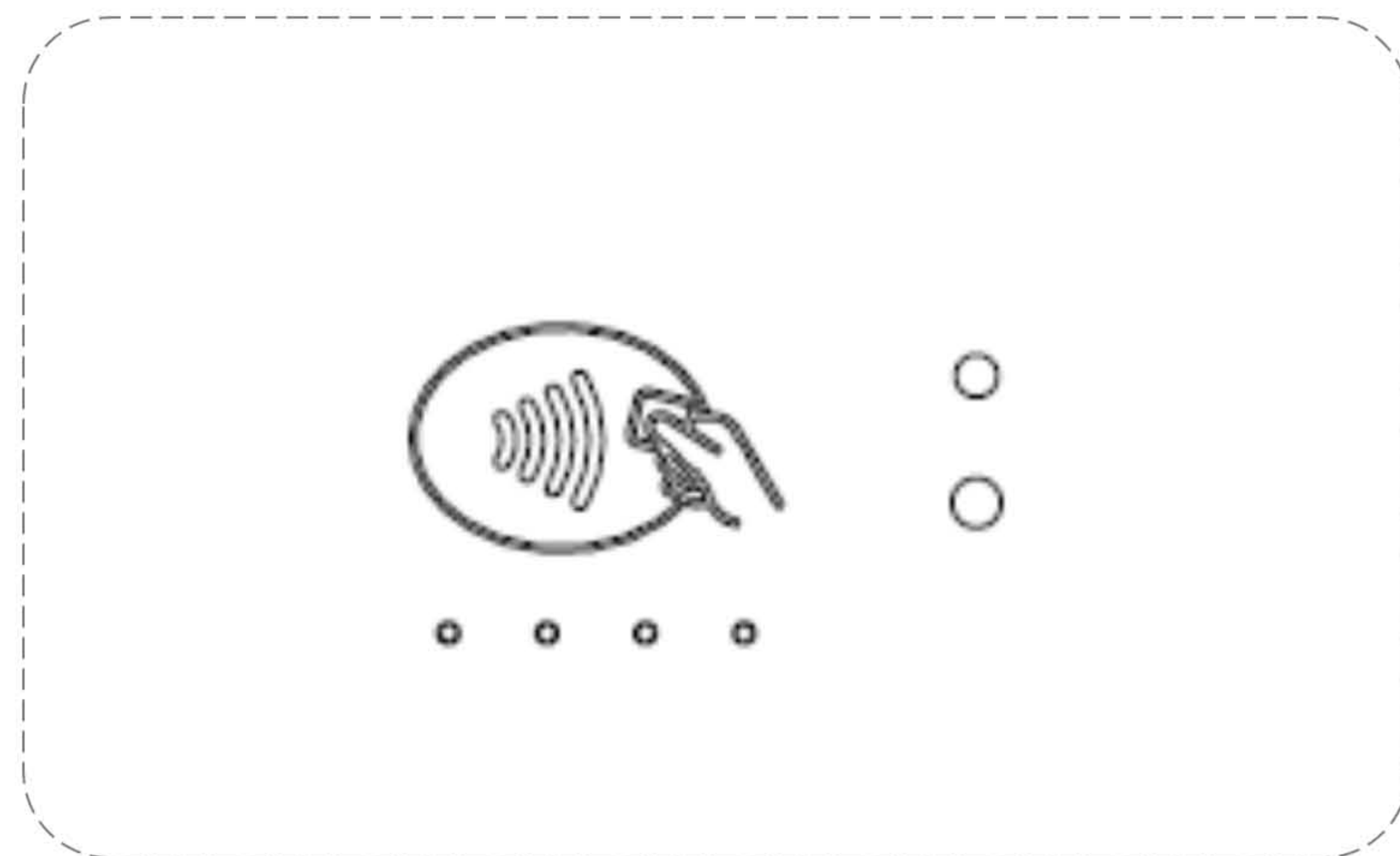


Payment Options

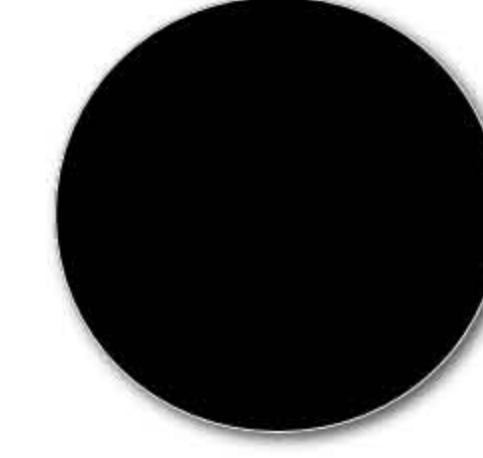
Tap



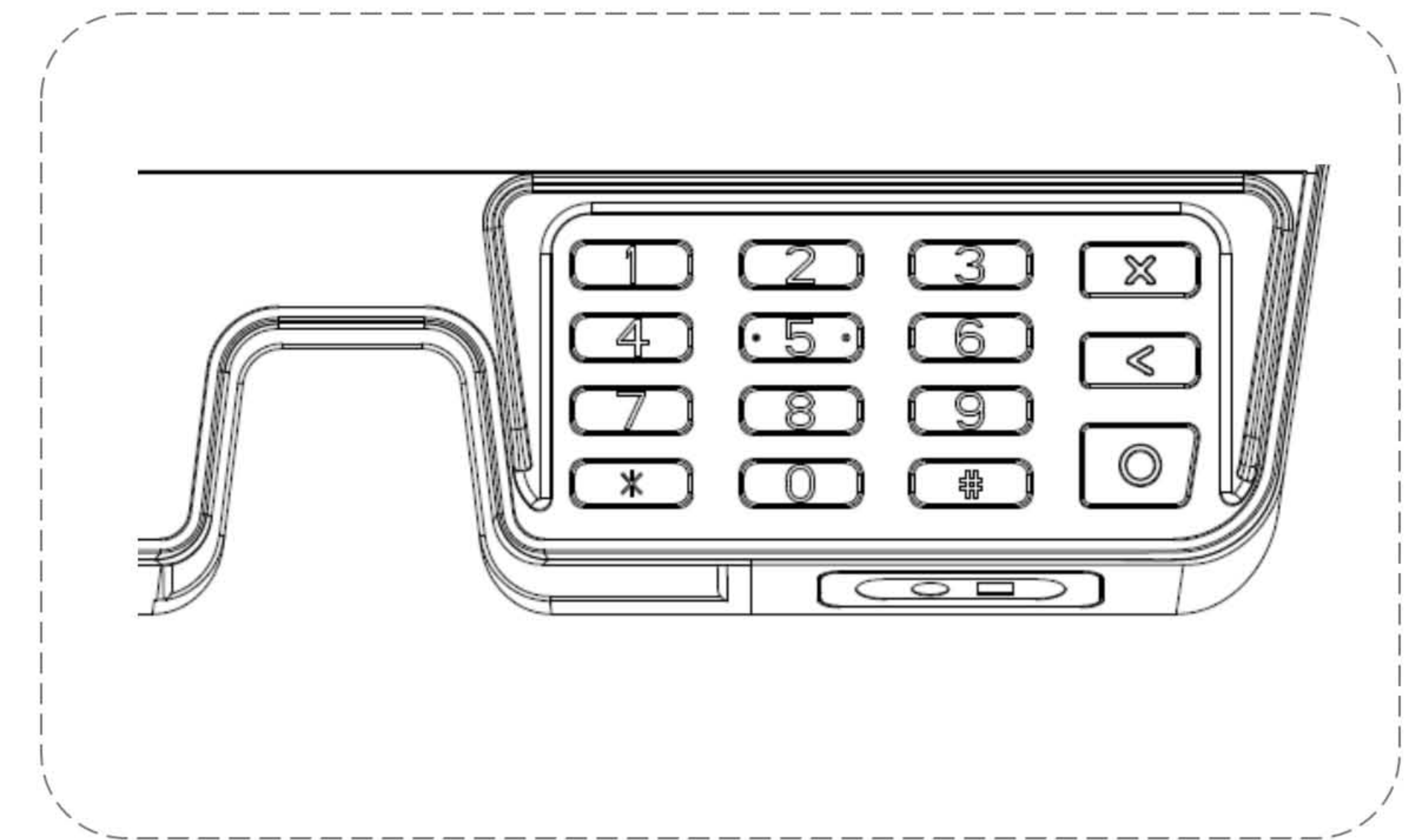
Hold contactless card or device over center of contactless logo area to trigger payment.



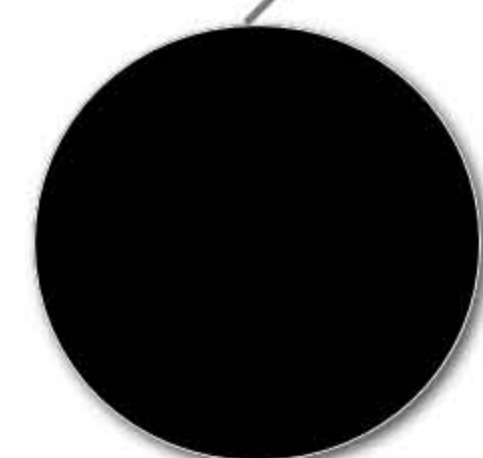
Dip



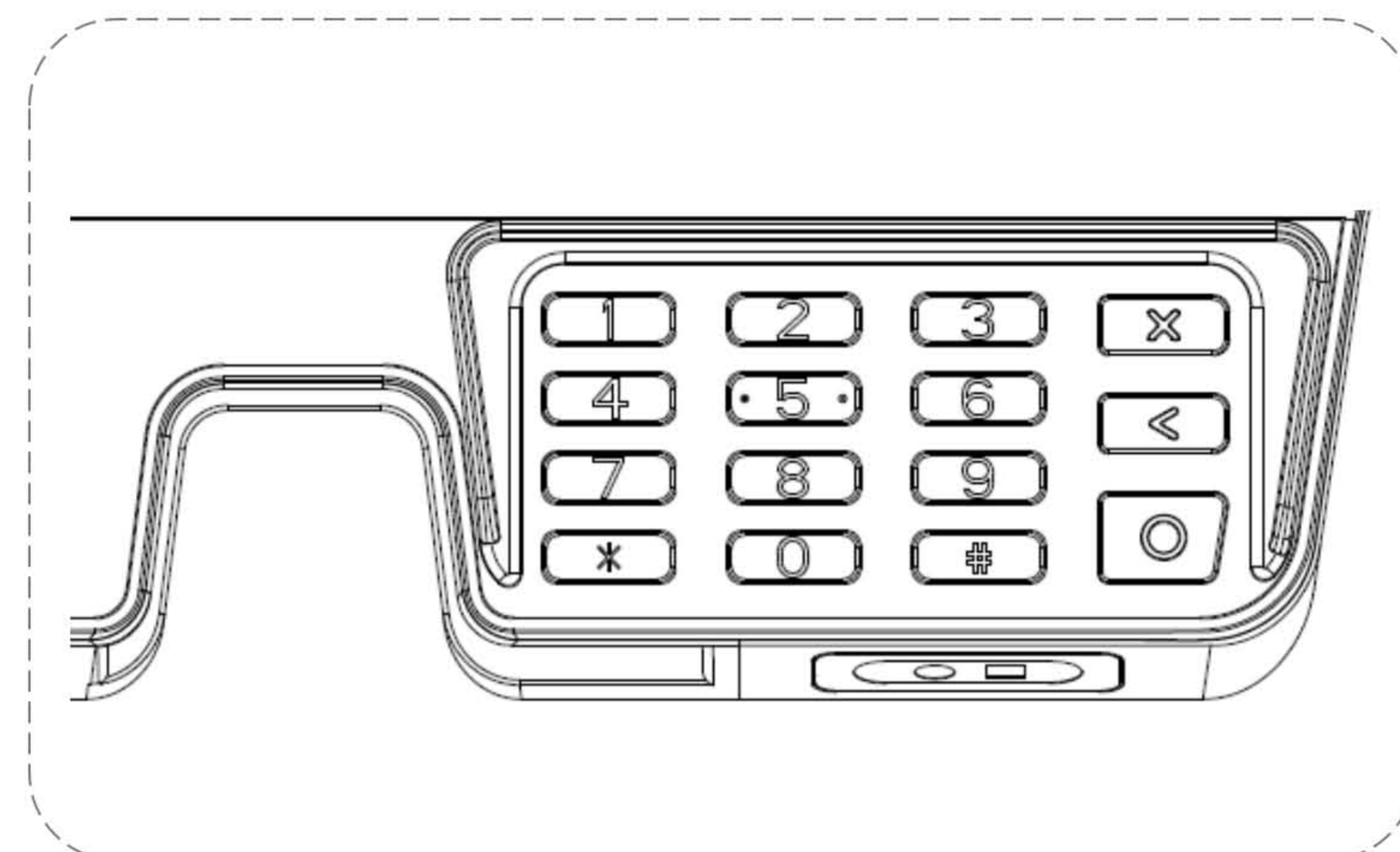
Insert card with IC chip facing up, then push it to the end of the card slot with blue light flashing and icon displaying on screen. Leave card inserted until prompted to remove.



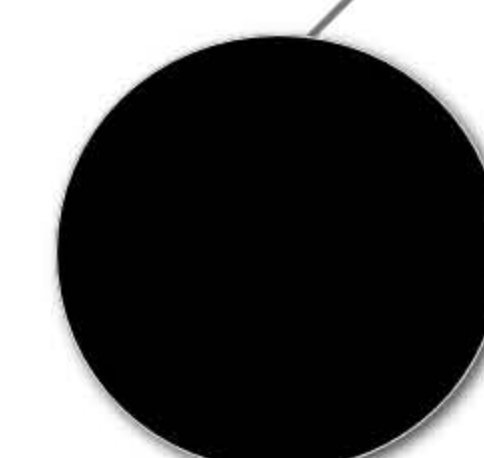
Swipe



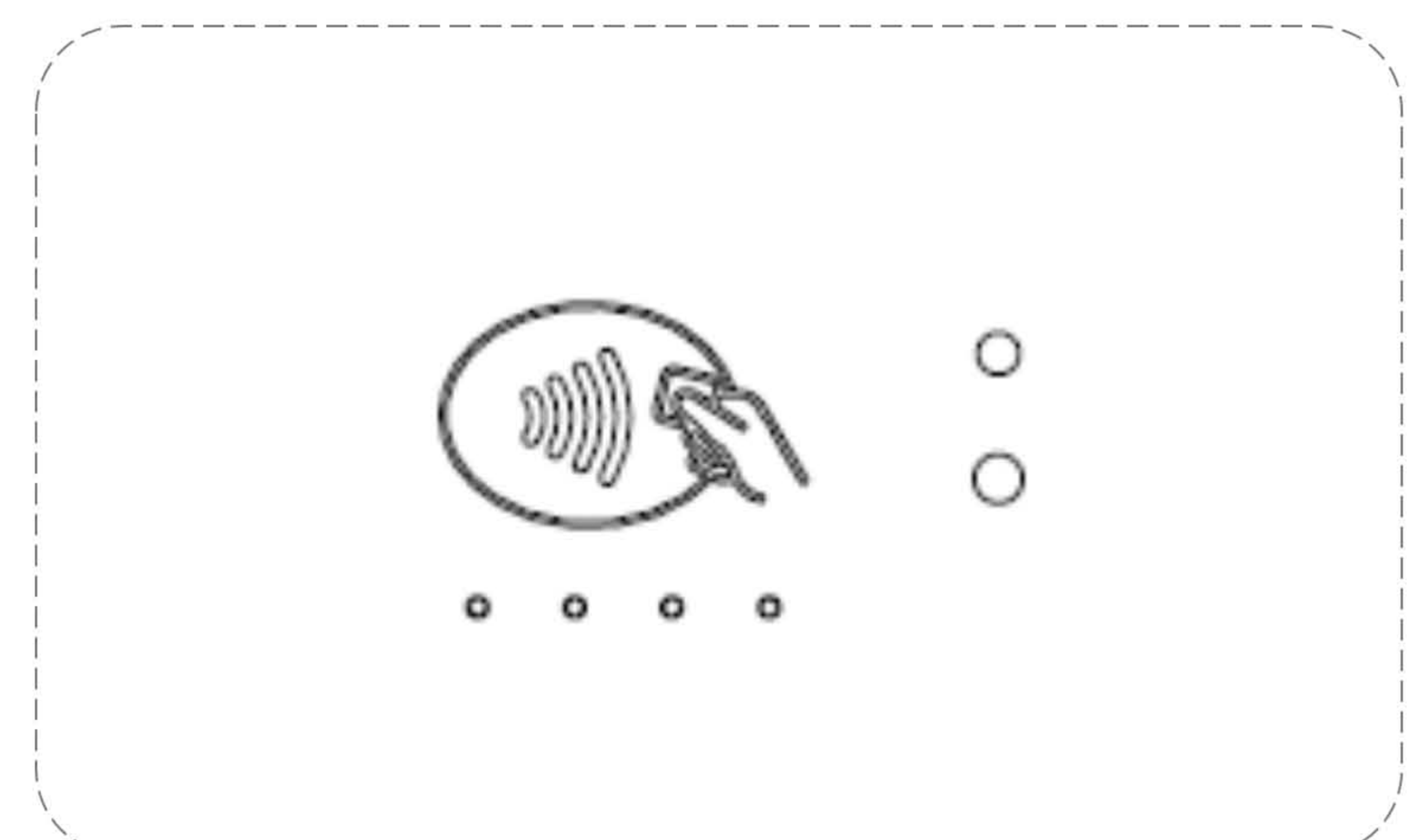
Insert magnetic stripe card into card slot and push to the end with magnetic stripe facing down, then pull out card at a constant speed to swipe card.



Scan

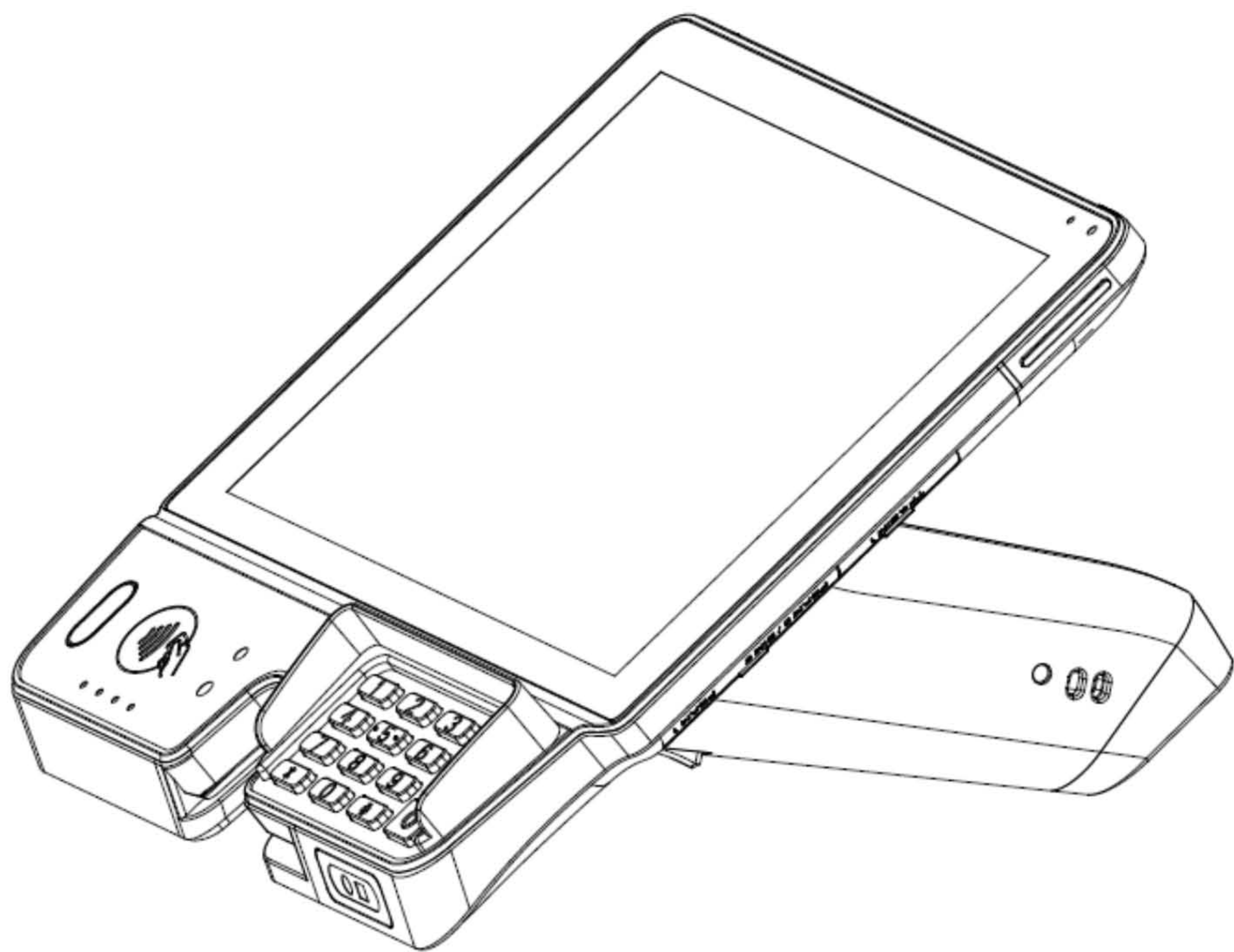


Hold QR code in front of camera to trigger payment.



General Introduction

AR8M is a combination of Aries8 tablet and handle. It is designed for use cases like mobile in-store applications and inventory management.

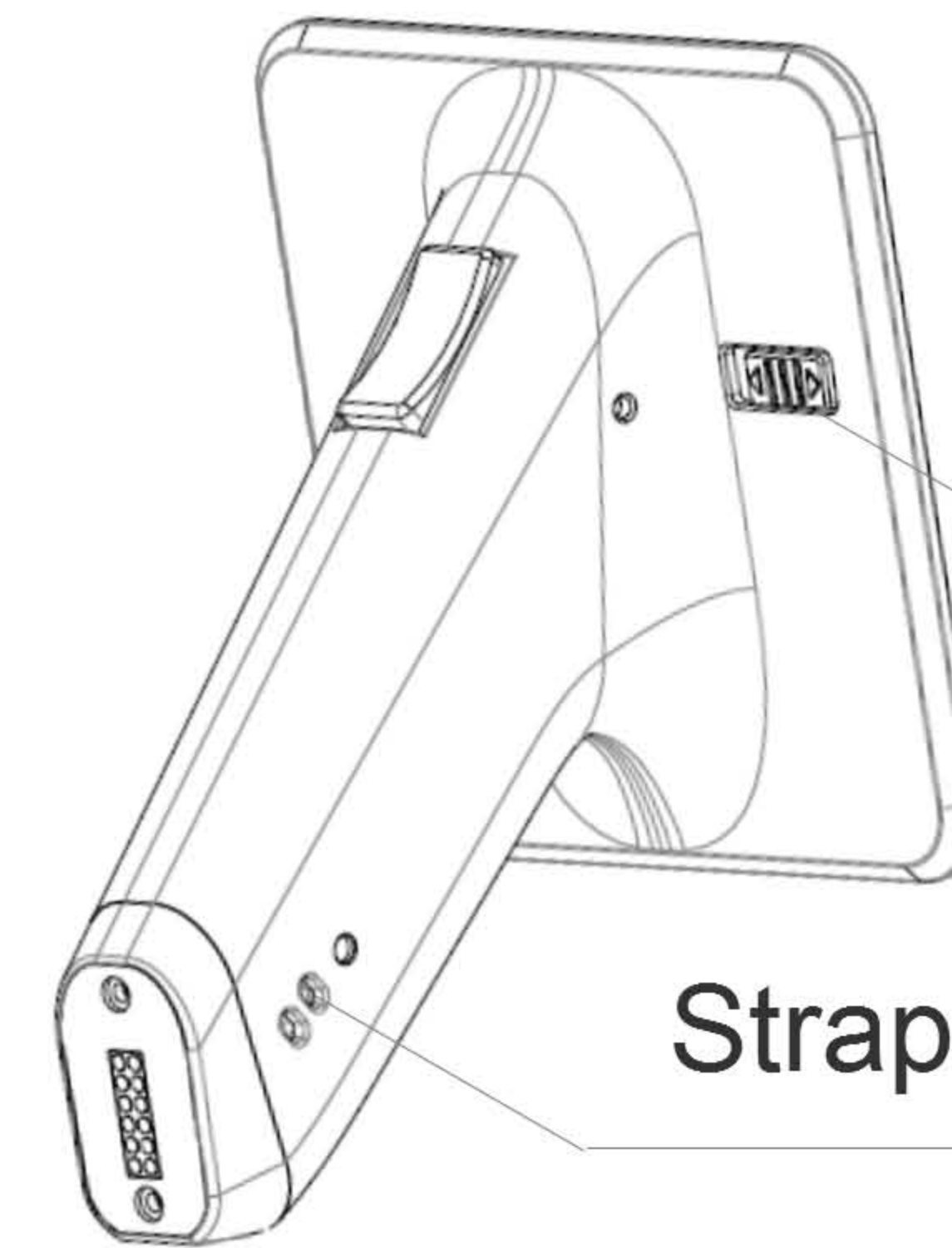


AR8-Handle

Scan Button

Lock Switch

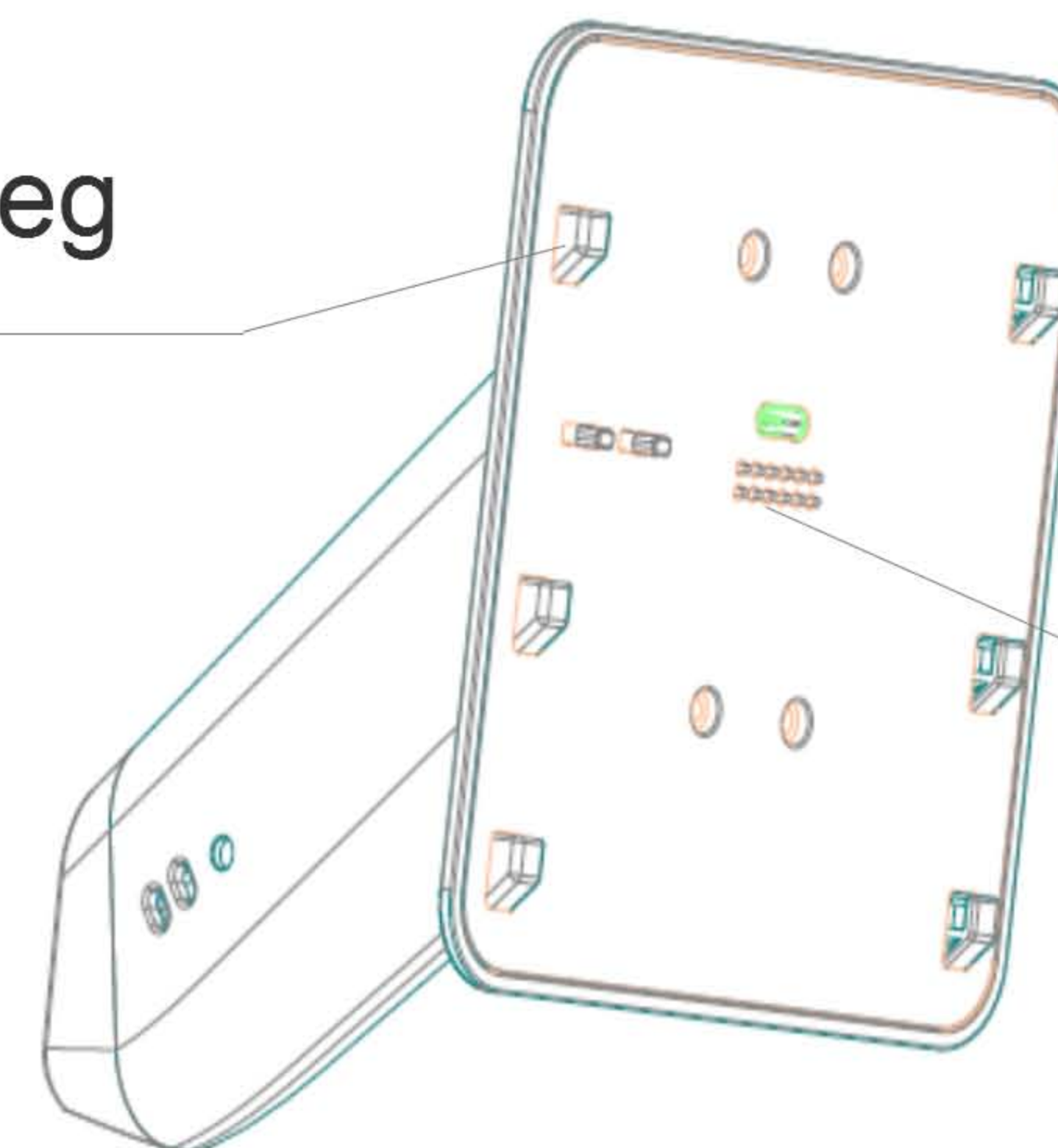
Strap Hole



Type-C Port

Orienting Peg

Pogo Pin

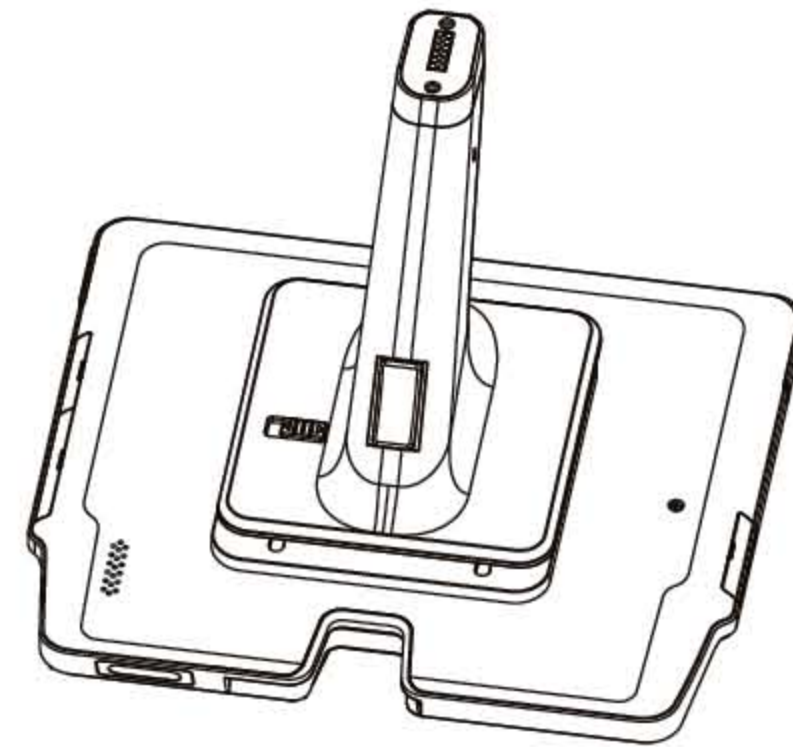


Install and Remove AR8-Handle

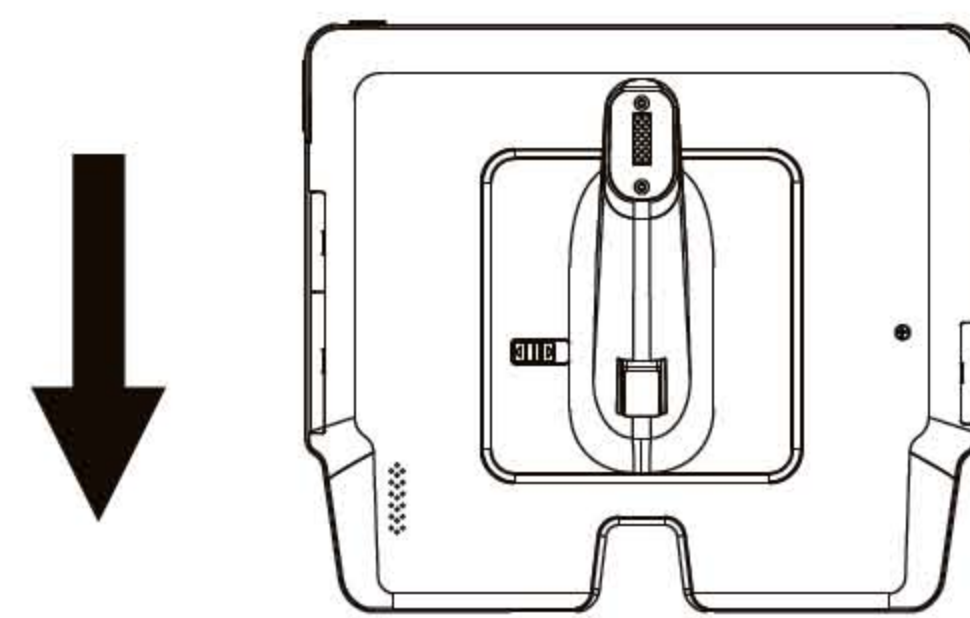
Install AR8M



Step1: Place tablet with the underside and handle facing up. Align the 6 orienting pegs on the handle with the holes on tablet. Make sure switch is off on the handle.

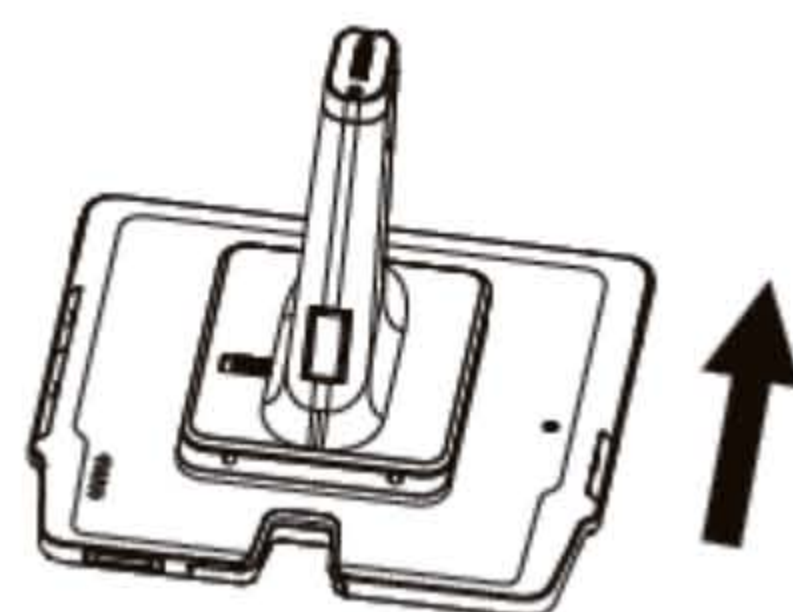


Step2: Lower handle into the adapter.



Step3: Push handle in direction shown to the end, then slide switch to the left to lock handle in place.

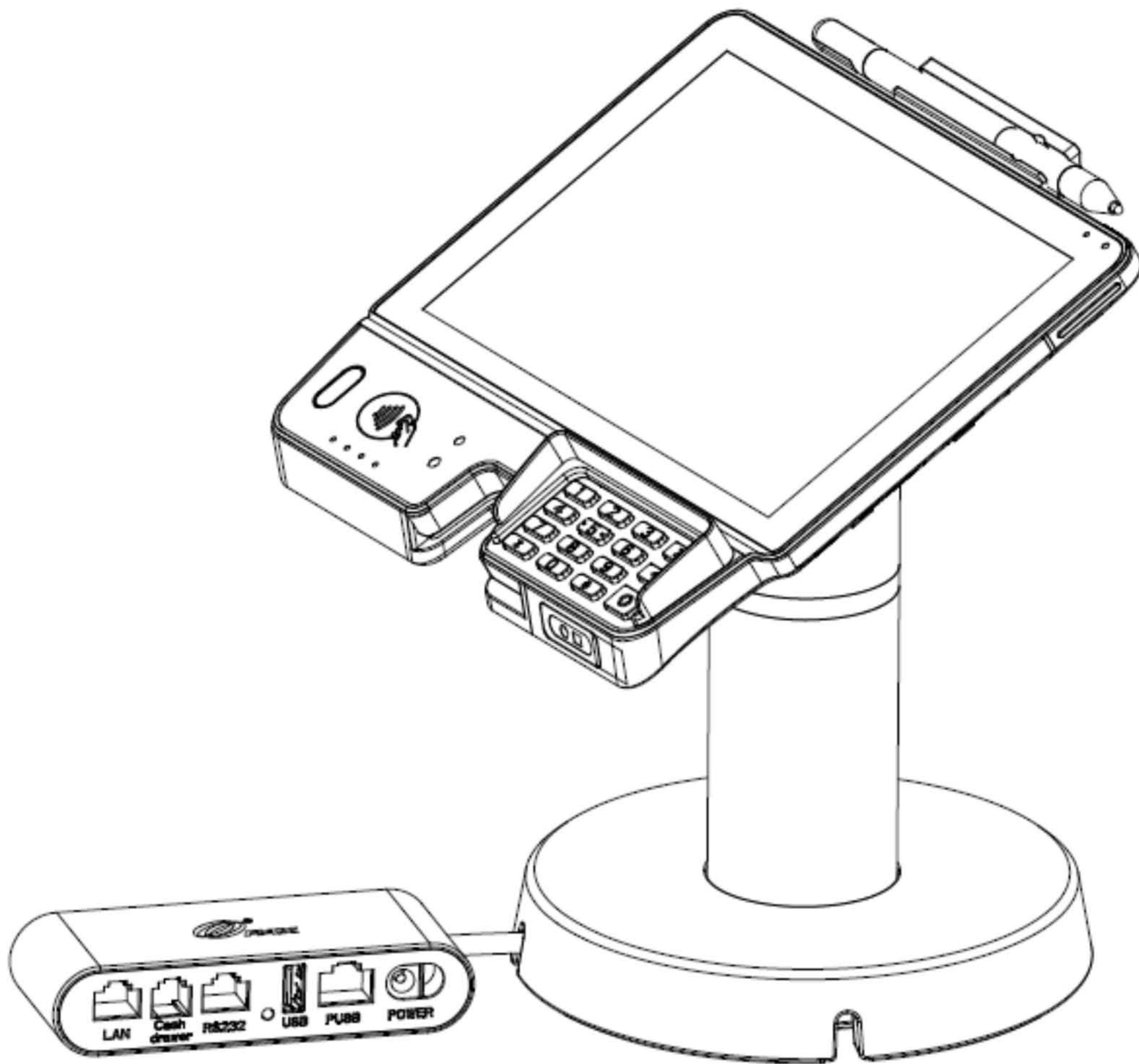
Remove AR8M



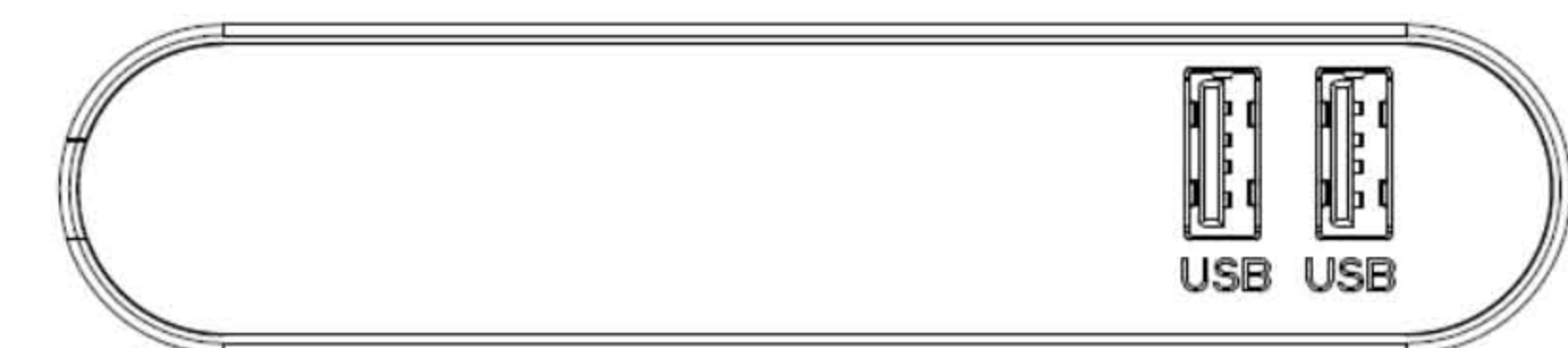
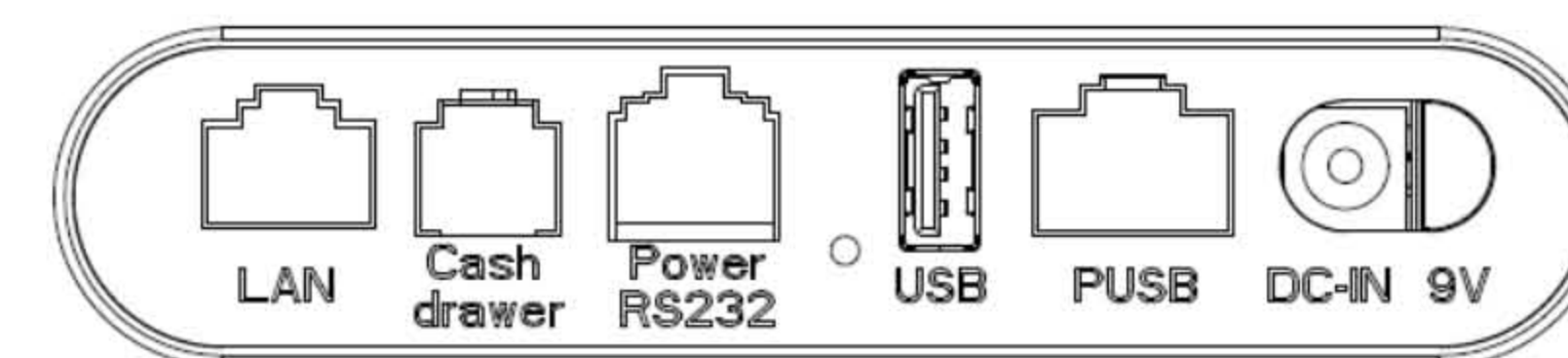
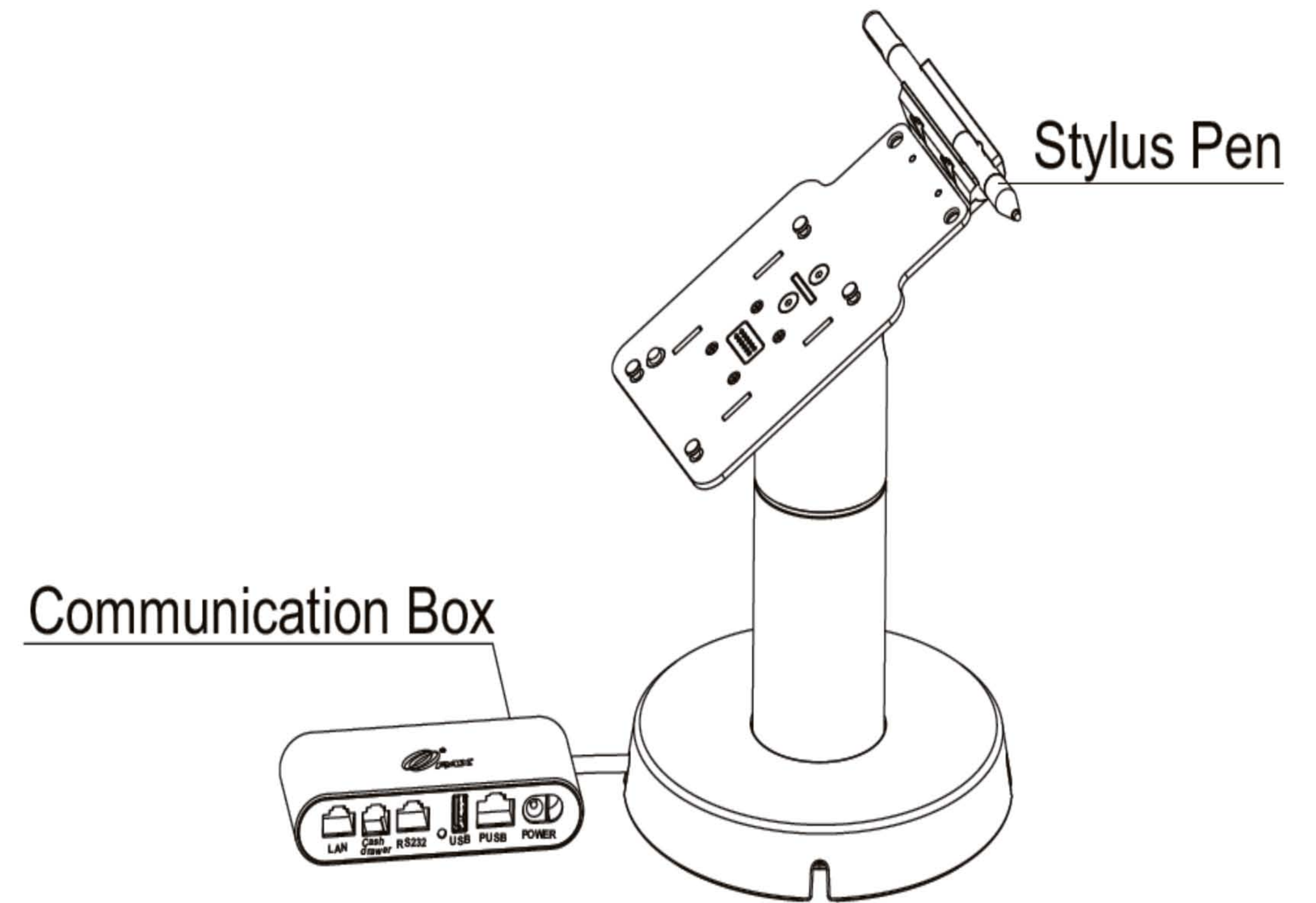
Step: Push switch to the right to unlock handle, push up handle to the end in direction shown and remove it.

General Introduction

AR8S is a combination of Aries8 tablet and stand. Based on an ergonomic design, it supports 180° of rotation and a 30° angle adjustment, as well as convenient cable routing and mounting options. A fastening screw locks the terminal to the stand, helping protect against unauthorized removal or tampering of the terminal. By replacing the top plate, the stand is suitable for various kinds of POS terminals.



AR8-Stand



Communication Box Ports

- LAN x1
- Cash Drawer x1
- Power RS232 x1
- USB Type A x3
- PUSB x1
- Power port x1
- Indicator x1