



Installation Manual

A910 Smart Mobile Payment Terminal

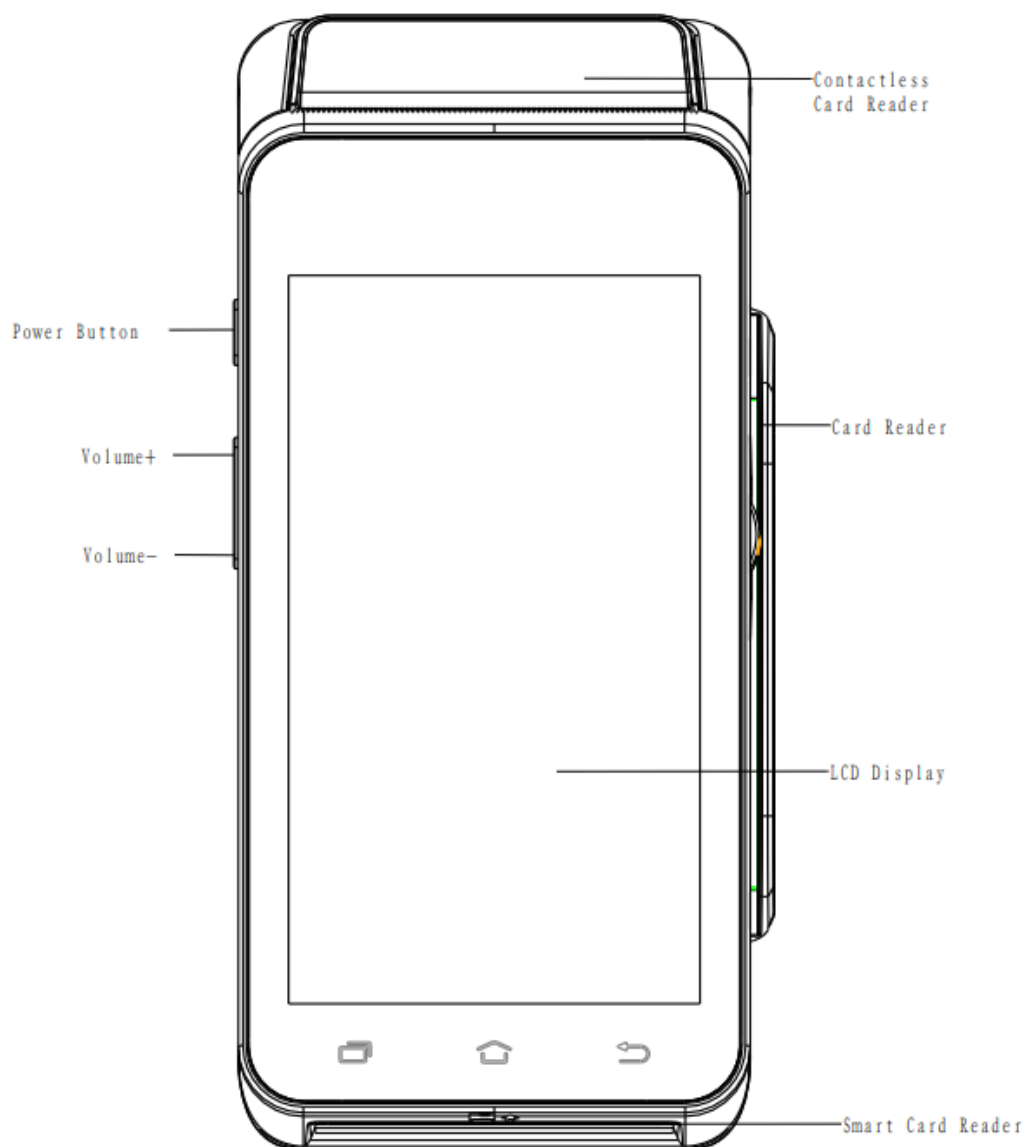
PAX TECHNOLOGY LIMITED

1. Checklist

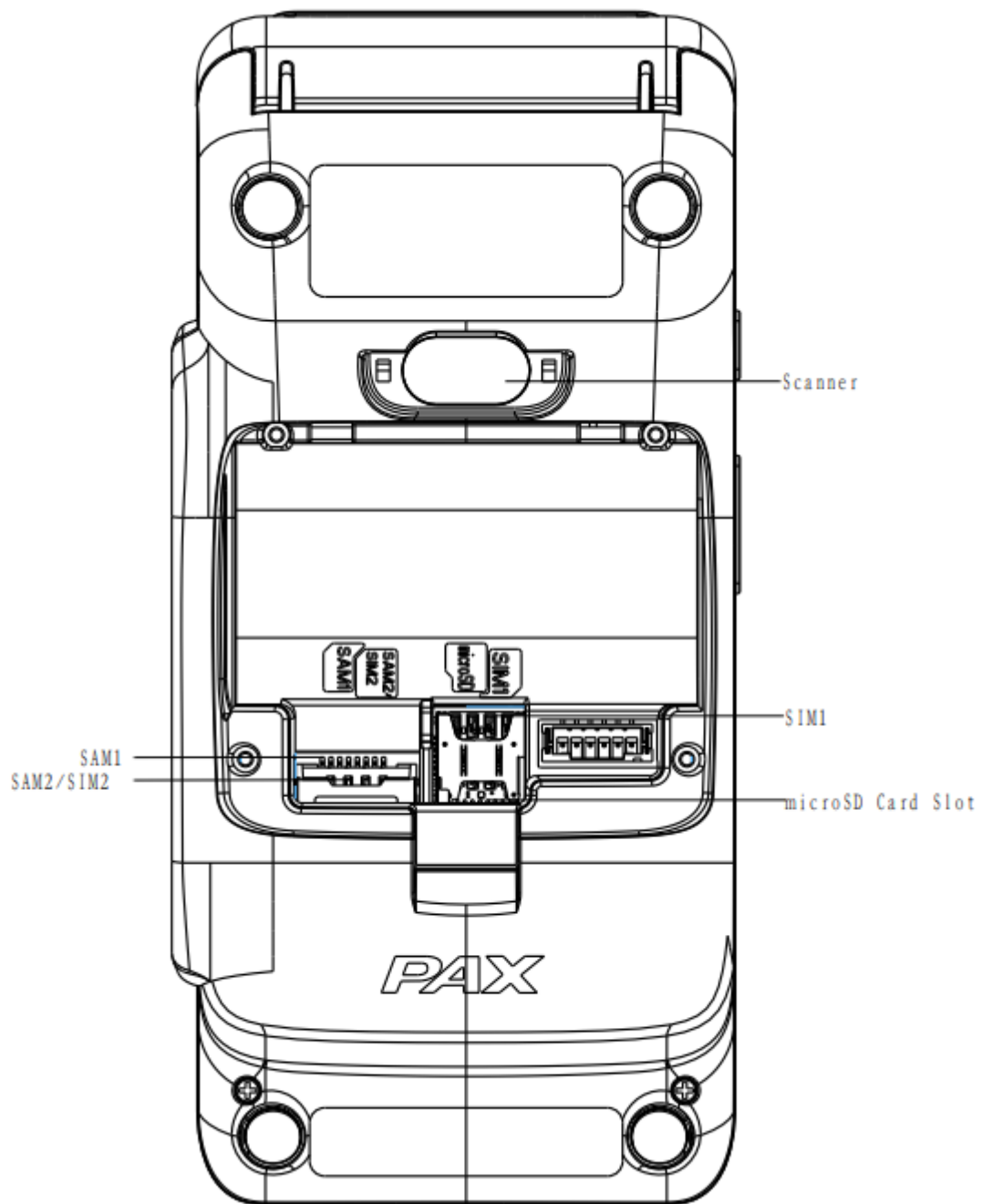
Congratulations on receiving your PAX Technology payment terminal. We do hope you enjoy it! The box you have just opened should contain the following items:

- 1 x PAX A910S Smart Mobile Payment Terminal
- 1 x Thermal Paper Roll
- 1 x AC Power Adapter
- 1 x Battery
- 1 x Cable

2. Product Description



3. Installation



USB Port: connect to a USB-enabled device.

SAM/SIM/microSD Cards:

- Open the battery cover underneath the terminal.
- Remove the battery.
- Insert SAM/SIM/microSD cards into the corresponding card slots.

4. Instructions

- **Power On/Off:** Power On: press and hold the Power button for 5 seconds until the IC card slot LED illuminates, showing that the terminal is being turned on.
Power Off: press and hold the Power button for 3 seconds until the shutdown menu appears, tap Power Off > Click Power Off, and “Shutting Down” will appear.
- **Contactless Transactions:** Tap a contactless enabled card or smartphone in proximity to the top end of the terminal where the contactless sensor is located, indicated by the contactless icon.
- **Chip Card Transactions:** With the card's chip facing upwards, insert the chip card fully into the hybrid chip & magnetic card slot.
- **Magnetic Stripe Transactions:** With the card's magnetic stripe facing downwards, swipe the card through the hybrid chip & magnetic reader at a constant speed, in either direction.
- **Paper Receipts:** Tear off the receipt at a 45-degree angle to the paper cutter.
- **Battery Charging:** With a charging cable connected, the device's charging status shows on the display.

5. General Usage Tips

- 1) Avoid putting the terminal in direct sunlight, high temperature, moist, or dusty environment.
- 2) Forbid non-professional to repair the terminal.
- 3) Before insert the card, please check internal and around of IC card slot. when you found some suspicious objects , must report to related administrator.
- 4) a door or cover intended only for occasional use by the ordinary person, such as for the installation of accessories, may be removable if an instructional safeguard is provided for correct removal and reinstallation of the door or cover.

6. Important Safety Warning

- Do not place the terminal or battery in direct sunlight, nor in environments with excessively high temperatures, smoke, dust, or dampness.
- Do not attempt to disassemble the battery, nor insert or use foreign objects to penetrate the casing. Never place the battery in a fire or excessively hot surfaces. Take care not to drop the battery. Excessive external shocks or pressure could cause battery liquid leakage or result in the battery catching fire or even exploding. Keep the battery well away from children and animals.
- Immediately replace any battery which appears to be deformed, expanded or in an overheated state.
- We recommend you only use power adaptors supplied by PAX Technology. If you must use 3rd party supplier accessories, please ensure specifications meet exactly those recommended for our products, which must comply with international and local

regulations & standards. Non-compatible power supplies, chargers or batteries could cause fires or even explosions, and will invalidate any product warranty.

- Charge the battery when the indicator level is low, but make sure to never charge a battery continuously for more than 24 hours. If a battery is not used for a long time, please charge it at least once every 6 months to avoid overcharge or discharge damage. For long-term optimal product performance, it is recommended that a battery be replaced after 2 years of continual usage.
- When disposing of the device, battery, or accessories, please do so responsibly and according to local regulations. These are not household waste items. Improper disposal of the battery could cause a fire or explosion, and any liquid leakage could be damaging to the environment and toxic to humans & animals.

7. Working mode Tips

A910S has BMS(Battery management system) function to protect the lithium battery from being over-charged, so A910S can work either on Desktop mode or Mobile Mode (Select "Settings" > "Battery" > "More Settings" > "Power Supply Work Mode").

Desktop Mode

The terminal is mainly powered by external power supply, which includes charging base, power adapter and wireless charging

Mobile Mode

The terminal is mainly powered by battery, and generally no external power is inserted.

We specify different charging and discharging parameters for the two working modes, as detailed below.

	Full charge	Recharging
Mobile Mode	100%	90%
Desktop Mode	80%	70%

8. Environmental Parameters

- **Working Environment:** Temperature:-10°C ~ 45°C (14°F ~ 113°F) (non-charging)
- **Storage Environment:** Temperature:-20°C ~ 70°C (-4°F ~ 158°F) (non-charging)
- **Humidity:** 5% ~ 95% (non-condensing)

9. Icons



Trademark notice:

“microSD logo is a trademark of SD-3C LLC.”

10. FCC Regulations

This device has been tested and found to comply with the limits for a Class B digital device, pursuant to Part 15 of the FCC Rules. These limits are designed to provide reasonable protection against harmful interference in a residential installation. This equipment generates, uses and can radiated radio frequency energy and, if not installed and used in accordance with the instructions, may cause harmful interference to radio communications. However, there is no guarantee that interference will not occur in a particular installation. If this equipment does cause harmful interference to radio or television reception, which can be determined by turning the equipment off and on, the user is encouraged to try to correct the interference by one or more of the following measures:

- Reorient or relocate the receiving antenna.
- Increase the separation between the equipment and receiver.
- Connect the equipment into an outlet on a circuit different from that to which the receiver is connected.
- Consult the dealer or an experienced radio/TV technician for help.

Caution: Changes or modifications not expressly approved by the party responsible for compliance could void the user’s authority to operate the equipment.

FCC RF Exposure Information (SAR)

This device is designed and manufactured not to exceed the emission limits for exposure to radio frequency (RF) energy set by the Federal Communications Commission of the United States.

During SAR testing, this device is set to transmit at its highest certified power level in all tested frequency bands, and placed in positions that simulate RF exposure in usage near the body. Although the SAR is determined at the highest certified power level, the actual SAR level of the while operating can be well below the maximum value. This is because the device is designed to operate at multiple power levels so as to use only the power required to reach the network. In general, the closer you are to a wireless base station antenna, the lower the power output.

The exposure standard for wireless employs a unit of measurement known as the Specific Absorption Rate, or SAR. The SAR limit set by the FCC is 1.6 W/kg.

For this device, the highest reported SAR value for usage near the body is 1.302 W/kg under the test separation distance: 5 mm.

While there may be differences between the SAR levels of various devices and at various positions, they all meet the government requirement.

The FCC has granted an Equipment Authorization for this model device with all reported SAR levels evaluated as in compliance with the FCC RF exposure guidelines. SAR information on this model device is on file with the FCC and can be found under the Display Grant section of www.fcc.gov/oet/ea/fccid after searching on FCC ID: V5PA910S

For body worn operation, this device has been tested and meets the FCC RF exposure guidelines for use with an accessory that contains no metal and be positioned a minimum of 10mm from the body. Use of other accessories may not ensure compliance with FCC RF exposure guidelines. If you do not use a body-worn accessory, position the handset a minimum of 10mm from your body when the device is switched on.

ISED Radiation Exposure Statement

- ❶ This device complies with Industry Canada license-exempt RSS standard(s).
Operation is subject to the following two conditions:
 - 1) this device may not cause interference, and
 - 2) this device must accept any interference, including interference that may cause undesired operation of the device.
- ❶ Le présent appareil est conforme aux CNR d'Industrie Canada applicables aux appareils radio exempts de licence. L'exploitation est autorisée aux deux conditions suivantes:
 - 1) l'appareil ne doit pas produire de brouillage, et
 - 2) l'utilisateur de l'appareil doit accepter tout brouillage radioélectrique subi, même si le brouillage est susceptible d'en compromettre le fonctionnement.
- ❷ This Class B digital apparatus complies with Canadian ICES-003.
- ❷ Cet appareil numérique de la classe B est conforme à la norme NMB-003 du Canada.
- ❸ This device complies with RSS-310 of Industry Canada. Operation is subject to the condition that this device does not cause harmful interference.
- ❸ Cet appareil est conforme à la norme RSS-310 d'Industrie Canada. L'opération est soumise à la condition que cet appareil ne provoque aucune interférence nuisible.
- ❹ This device and its antenna(s) must not be co-located or operating in conjunction with any other antenna or transmitter, except tested built-in radios.
- ❹ Cet appareil et son antenne ne doivent pas être situés ou fonctionner en conjonction avec une autre antenne ou un autre émetteur, exception faites des radios intégrées qui ont été testées.
- ❹ The County Code Selection feature is disabled for products marketed in the US/ Canada.

⑤ La fonction de sélection de l'indicatif du pays est désactivée pour les produits commercialisés aux États-Unis et au Canada.

This EUT is in compliance with SAR for general population/uncontrolled exposure limits in ISED RSS-102 and had been tested in accordance with the measurement methods and procedures specified in IEEE 1528 and IEC 62209. This device and its antenna(s) must not be co-located or operating in conjunction with any other antenna or transmitter.

This device has been tested for compliance with IC SAR values at a typical operating near the body. To ensure that RF exposure levels below the levels tested, use accessories with this equipment to maintain a minimum separation distance of 10mm between the body of the user and the device. These accessories should not contain metallic components. It is possible that the accessories used close to the body that do not meet these requirements are not consistent with the SAR limits and it is advisable to avoid using them.

Cet appareil est conforme aux limites d'exposition DAS incontrôlée pour la population générale de la norme CNR-102 science de l'innovation et le développement économique Canada et a été testé en conformité avec les méthodes de mesure et procédures spécifiées dans IEEE 1528 et IEC 62209. Cet appareil et sa ou ses antennes ne doivent pas être co-localisés ou fonctionner en conjonction avec tout autre antenne ou transmetteur.

Ce dispositif a été testé pour la conformité avec les valeurs SAR à un fonctionnement typique près du corps. Pour assurer que les niveaux d'exposition aux radiofréquences en deçà des niveaux testés, utiliser des accessoires avec cet équipement pour maintenir une distance de séparation minimale de 10mm entre le corps de l'utilisateur et l'appareil. Ces accessoires ne doivent pas contenir des composants métalliques. Il est possible que les accessoires utilisés près du corps qui ne répondent pas à ces exigences ne sont pas compatibles avec les limites SAR et il est conseillé d'éviter de les utiliser.

The device is going on be operated in 5150~5250 frequency range. It is restricted indoor environment only in Canada.

Le dispositif fonctionne dans une gamme de fréquences 5150~5250. L'environnement intérieur est restreint seulement au Canada.

11. Quick Setup Guide

PAX reserves the right to change product specifications & material components at any time

Scan here for latest version



PAX continually invests to maintain its high quality products up to date with the latest certifications, therefore a comprehensive list can be requested via the website's contact form or on downloadable product brochures.

Built by: PAX Computer Technology (Shenzhen) Co. Ltd.
Address: 4/F, No.3 Building, Software Park, Second Central Science-Tech
Road, High-Tech Industrial Park, Shenzhen, Guangdong, China.
Tel: +86 755 86169630
Website: www.pax.com.cn

FCC Supplier's Declaration of Conformity

Smart Mobile Payment Terminal / A910S

This device complies with part 15 of the FCC Rules. Operation is subject to the following two conditions: (1) This device may not cause harmful interference, and (2) this device must accept any interference received, including interference that may cause undesired operation.

Responsible Party: PAX Technology, Inc.

**8880 Freedom Crossing Trail, Building 400, 3rd Floor Suite 300,
Jacksonville , Florida, 32256**

Help-desk

1 877-859-0099