

# A30 Smart Payment Terminal



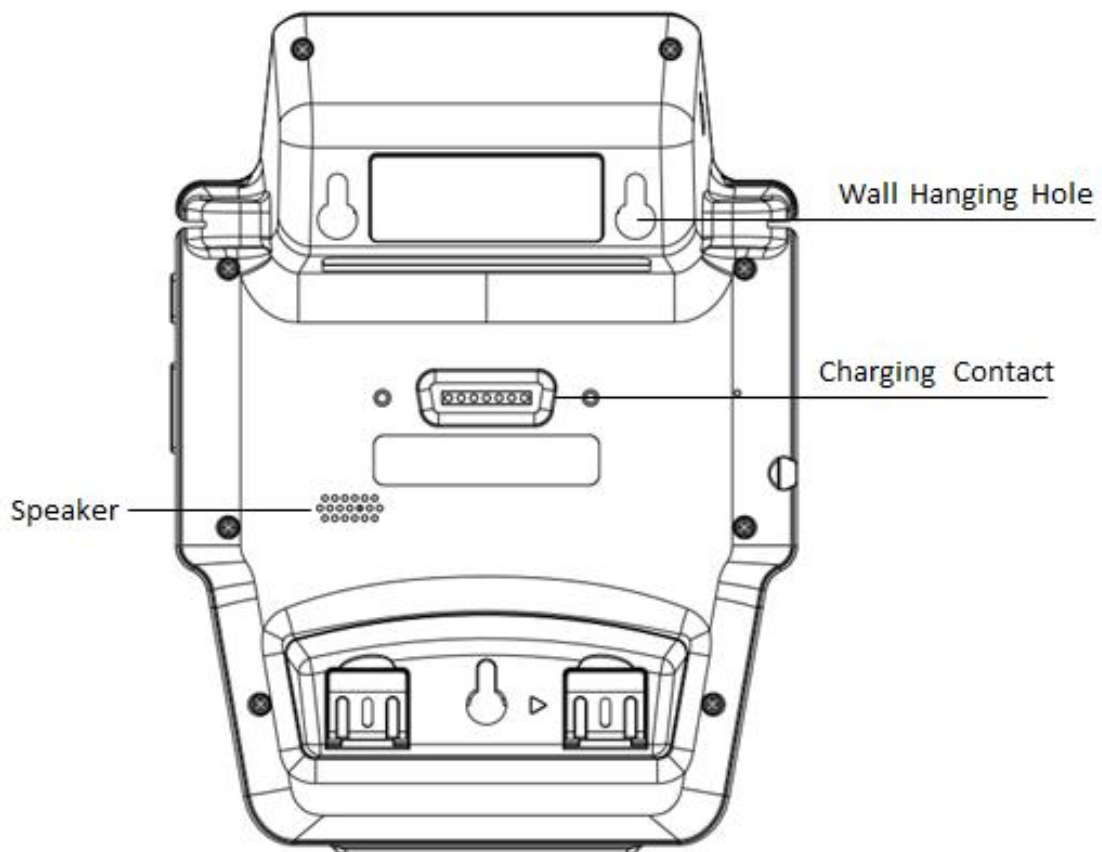
# PAX TECHNOLOGY LIMITED

## 1.Contents Checklist

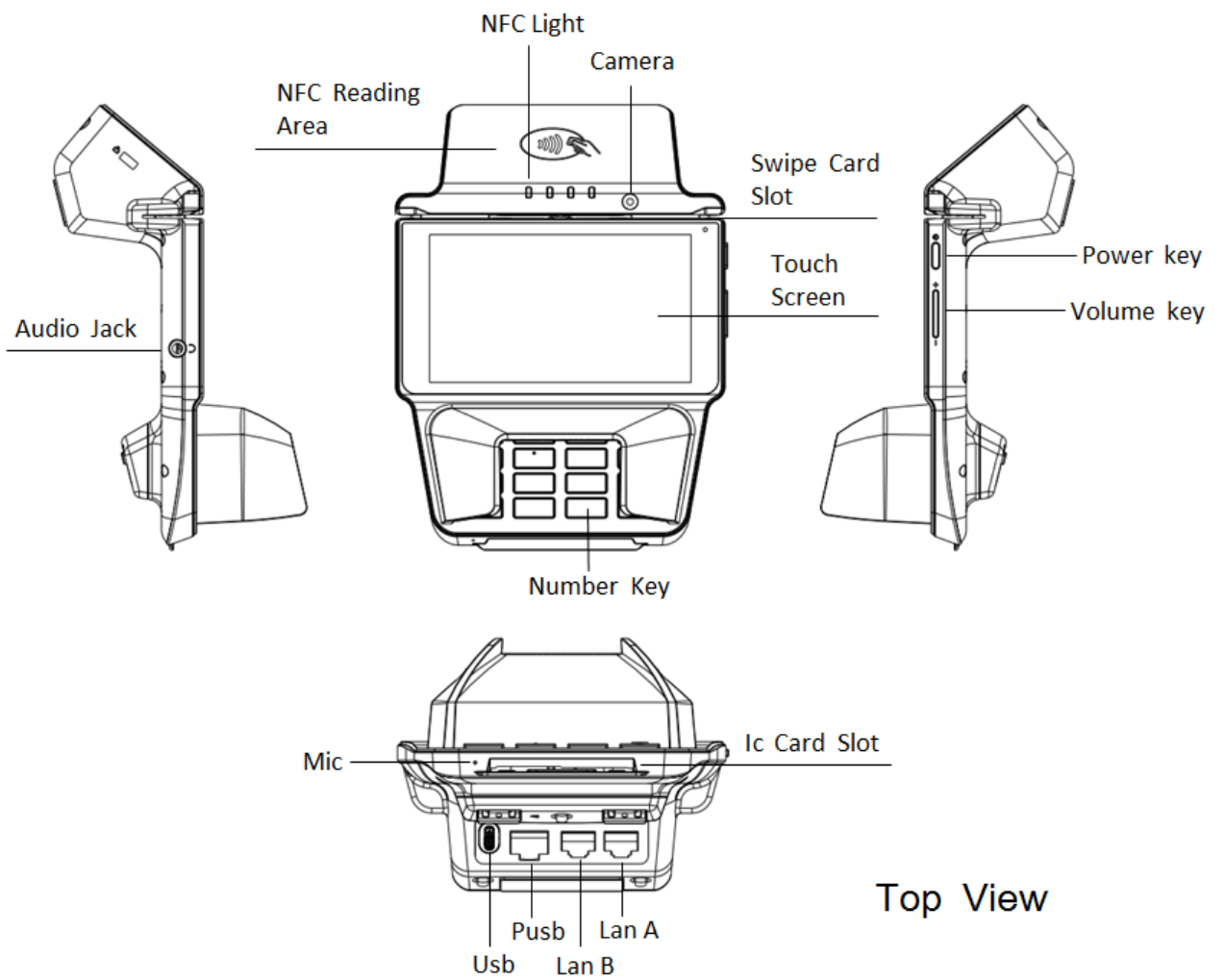
Please check the components after unpacking. If any one of them is missing, or if there is a page missing from the product manual, etc., please contact the dealer.

Part	Qty.
A30 Smart Payment Terminal	1
Product Manual	1
USB Cable	1
AC Power Adaptor	1

## 2.Production Description



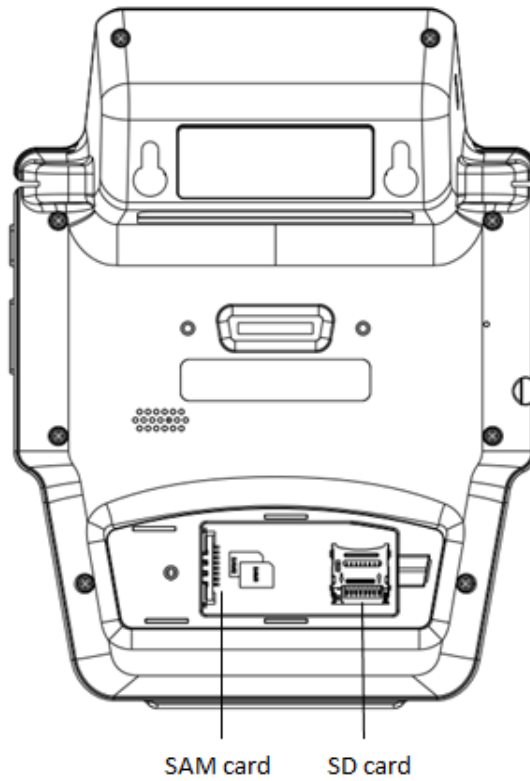
Bottom View



### 3.Installation

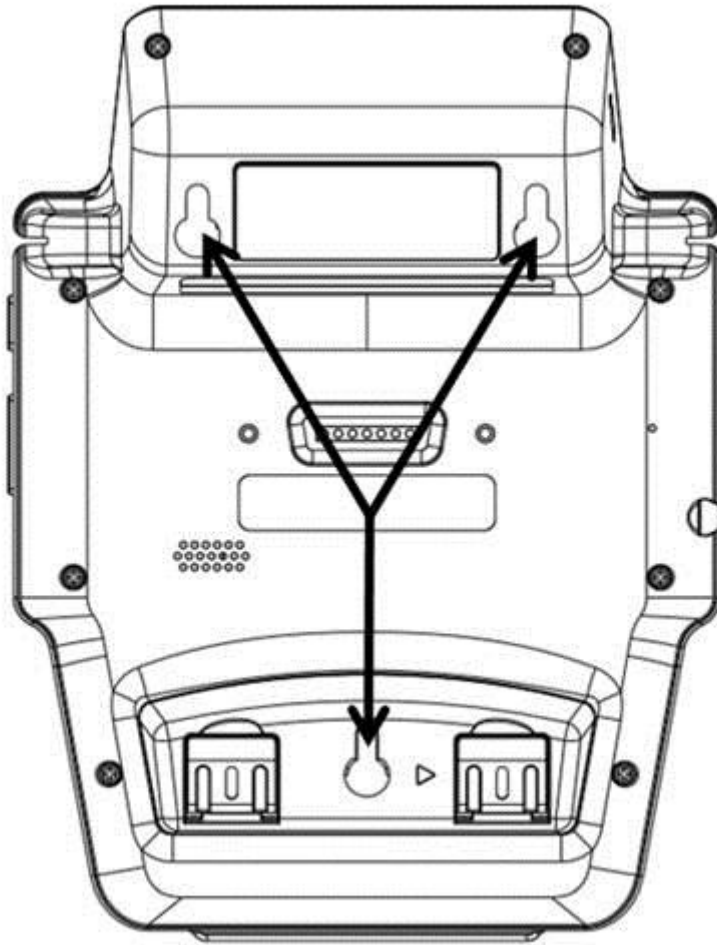
#### 1) SAM/Micro-SD Card Installation

- 1) Unscrew the screw of the cover.
- 2) Push the cover to the right.
- 3) Insert SAM /micro-SD card into the card slot.
- 4) Install the cover.



## 2) Stand Installation

Insert metal stand prongs into three stand slots on underside of terminal. Slide terminal firmly into place on stand.



## **4.Instruction**

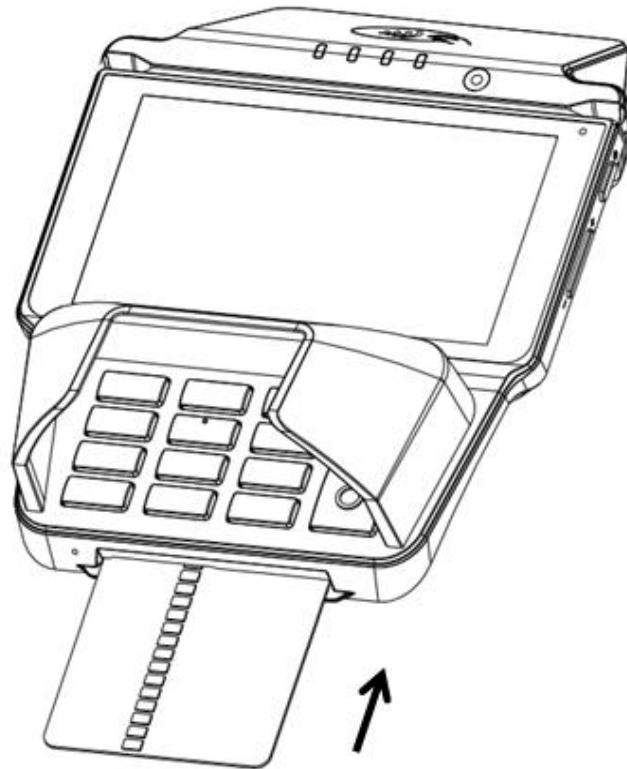
### **1) Power ON/OFF**

Power on: The device starts up automatically when it is electrified.

Power off: Press power button for 3 seconds until Shutting down... can be seen. POS terminal is being turned off.

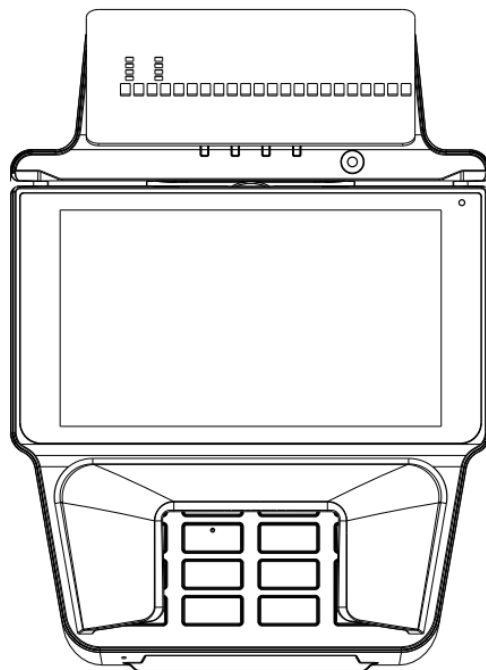
### **2) IC card**

Insert the IC card with the chip side faces up into the IC card slot and push it to the end.



### 3) Swiping contactless card

Place a contactless card close to the induction zone which is at the back of the terminal.



#### 4) Magnetic Stripe Card

Swipe the magnetic stripe card through the magnetic card slot with the magnetic stripe faces you at a constant speed, which could be bi-directionally.



### 5. Installation and Usage Tips

- 1) Avoid exposing the terminal to direct sunlight, or hot / humid / dusty environment.
- 2) Forbid non-professionals to repair the terminal.
- 3) Before inserting card, please check the inside and periphery of the IC card slot. If there is any suspicious object, please report to the related administrator.

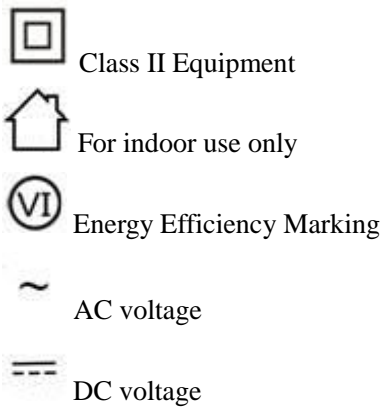
Working Environment: Temperature:  $-10^{\circ}\text{C} \sim 50^{\circ}\text{C}$  ( $32^{\circ}\text{F} \sim 122^{\circ}\text{F}$ )  
R.H.:5%~96%(non-condense)

Storage Environment: Temperature:  $-20^{\circ}\text{C} \sim 70^{\circ}\text{C}$  ( $-4^{\circ}\text{F} \sim 158^{\circ}\text{F}$ )  
R.H.:5%~96%(non-condense)

### 6.Icon shows



Do not throw away, need professional recycling.



The MAINS plug is used as the disconnected device.

The full text of the EU declaration of conformity is available at the following internet address:

<http://www.pax.com.cn/ProductCE.aspx>

### **FCC Regulations:**

This device complies with part 15 of the FCC Rules. Operation is subject to the following two conditions: (1) This device may not cause harmful interference, and (2) this device must accept any interference received, including interference that may cause undesired operation.

This device has been tested and found to comply with the limits for a Class B digital device, pursuant to Part 15 of the FCC Rules. These limits are designed to provide reasonable protection against harmful interference in a residential installation. This equipment generates, uses and can radiated radio frequency energy and, if not installed and used in accordance with the instructions, may cause harmful interference to radio communications. However, there is no guarantee that interference will not occur in a particular installation. If this equipment does cause harmful interference to radio or television reception, which can be determined by turning the equipment off and on, the user is encouraged to try to correct the interference by one or more of the following measures:

- Reorient or relocate the receiving antenna.
- Increase the separation between the equipment and receiver.
- Connect the equipment into an outlet on a circuit different from that to which the receiver is connected.
- Consult the dealer or an experienced radio/TV technician for help.

**Caution:** Changes or modifications not expressly approved by the party responsible for compliance could void the user's authority to operate the equipment.

### **RF Exposure Information**

This device meets the government's requirements for exposure to radio waves.



This device is designed and manufactured not to exceed the emission limits for exposure to radio frequency (RF) energy set by the Federal Communications Commission of the U.S. Government.

This device complies with FCC radiation exposure limits set forth for an uncontrolled environment. In order to avoid the possibility of exceeding the FCC radio frequency exposure limits, human proximity to the antenna shall not be less than 20cm (8 inches) during normal operation.

FCC ID: V5PA30BW

### **ISED Notice**

This device complies with Innovation, Science and Economic Development Canada license-exempt RSS standard(s). Operation is subject to the following two conditions:

- (1) this device may not cause interference, and
- (2) this device must accept any interference, including interference that may cause undesired operation of the device.

Le présent appareil est conforme aux CNR Innovation, Sciences et Développement économique Canada applicables aux appareils radio exempts de licence. L'exploitation est autorisée aux deux conditions suivantes:

- (1) l'appareil ne doit pas produire de brouillage, et
- (2) l'utilisateur de l'appareil doit accepter tout brouillage radioélectrique subi, même si le brouillage est susceptible d'en

IC: 11689A-A30BW

### **ISED RF Exposure Statement**

This device complies with ISED RSS-102 RF exposure limits set forth for an uncontrolled environment. In order to avoid the possibility of exceeding the IC RSS-102 RF exposure limits, human proximity to the antenna shall not be less than 20cm (8 inches) during normal operation.

Cet appareil est conforme aux limites d'exposition aux rayonnements de la CNR-102 définies pour un environnement non contrôlé. Afin d'éviter la possibilité de dépasser les limites d'exposition aux fréquences radio de la CNR-102, la proximité humaine à l'antenne ne doit pas être inférieure à 20 cm (8 pouces) pendant le fonctionnement normal.

The device is going on be operated in 5150~5250 frequency range. It is restricted indoor environment only in Canada.

PAX TECHNOLOGY LIMITED reserves the right to change product technology specifications without notifying.



## PAX TECHNOLOGY LIMITED

**Manufacturer: PAX Computer Technology (Shenzhen) Co.,Ltd.**

**Address:4/F, No.3 Building, Software Park, Second Central Science-Tech Road,  
High-Tech Industrial Park, Shenzhen, Guangdong, P.R.C.**

**Tel: 0755-86169630 Fax: 0755-86169634**

**Website: <http://www.pax.com.cn>**

**Responsible Party: PAX Technology, Inc.**

**8880 Freedom Crossing Trail, Building 400, 3rd Floor Suite 300, Jacksonville ,  
Florida, 32256**

**Help-desk**

**1 877-859-0099**