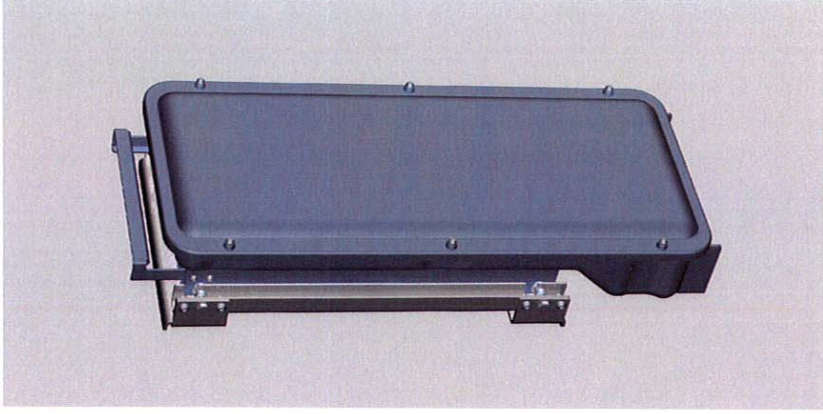


Deltanode DAS Installation and safety

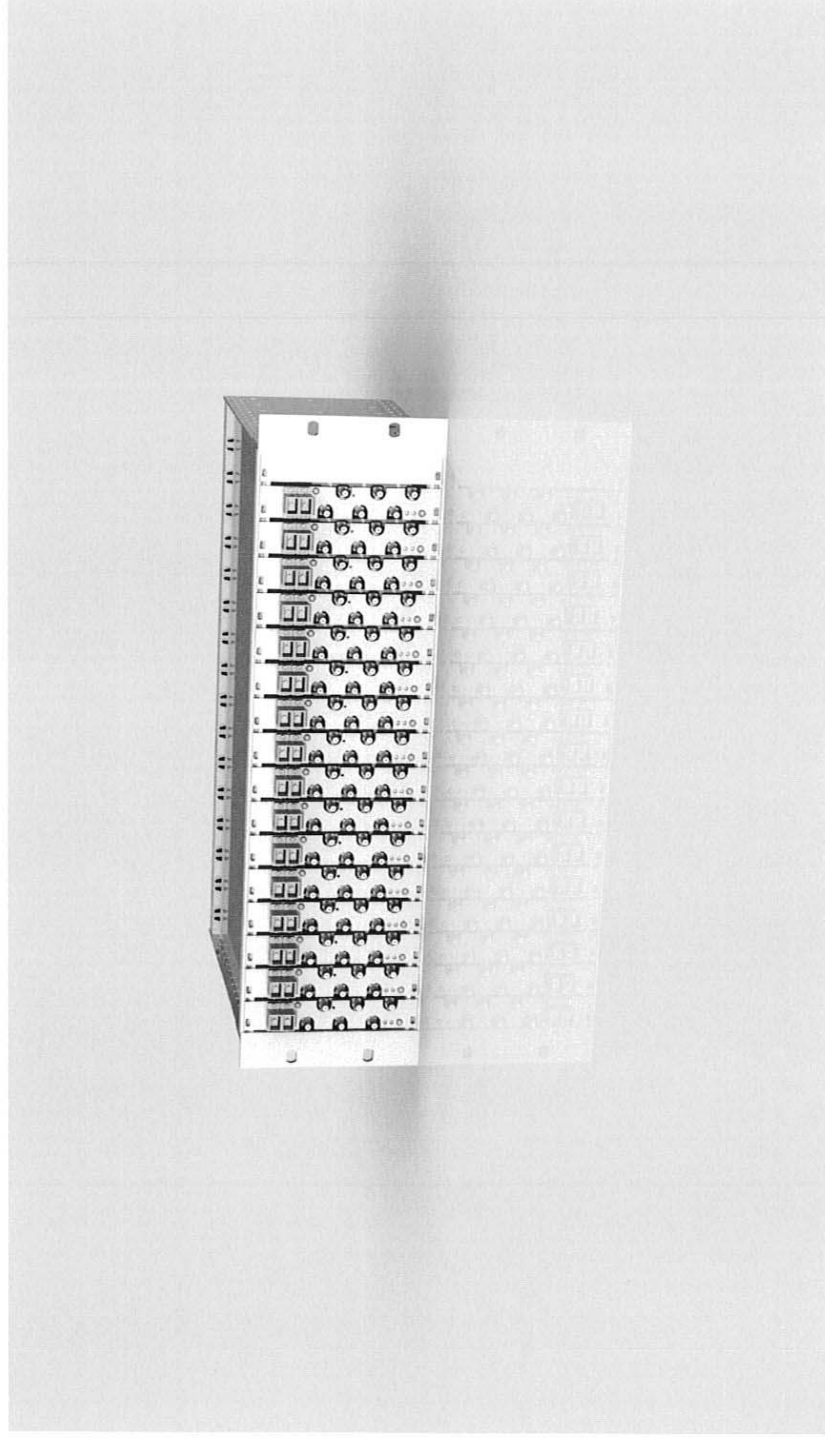
**Basic instructions
Ver 1.1 20071030**

Remote Units

DDR 100, 200, 300, 400 series



Masterunit 19"



Health and safety warnings

- Deltanode DAS system is an advanced system and should be handled by skilled staff.
- Read all documentation and warnings before handling the equipment.
- Obey all warning signs on the equipment and in documentation

Health and safety warnings

- Make sure to only operate the equipment on frequencies allowed to use.
- Do not modify the equipment
- Make sure to keep passwords and other operational information away from unauthorized persons.
- The equipment contains a Class 3B laser and the equipment is Class 1
- Do never look into the Laser beam directly or indirectly, it is strong invisible light and may cause serious damage to human eyes.

Health and safety warnings

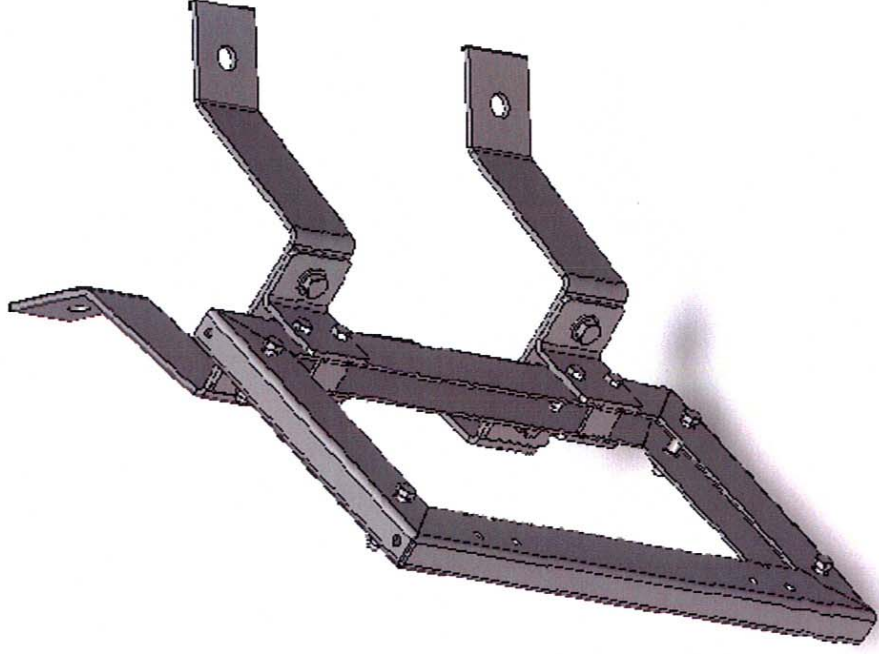
- The equipment may get hot during operation, do not operate outside temperature range and keep away from heat sensitive material.
- Always disconnect the unit before opening, opening is not intended in the field.
- The equipment contains ESD sensitive components do only open the equipment in a location designed for handling ESD products and use grounding devices.

Health and safety warnings

- The product transmits RF signals make sure to keep away from Antennas and other radiating devices.
- Consult FCC or other applicable regulations for details on RF requirements and safety issues on RF.

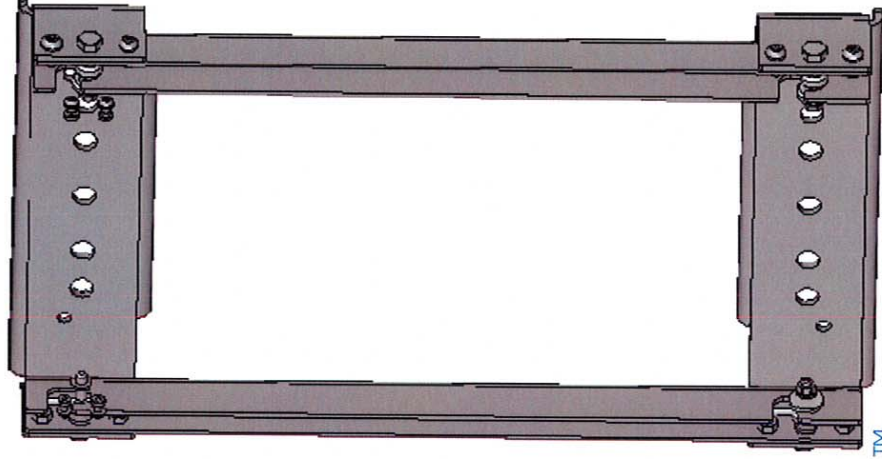
Polemounting kit

- If mounting is to be done on a pole, assemble the pole mounting kit



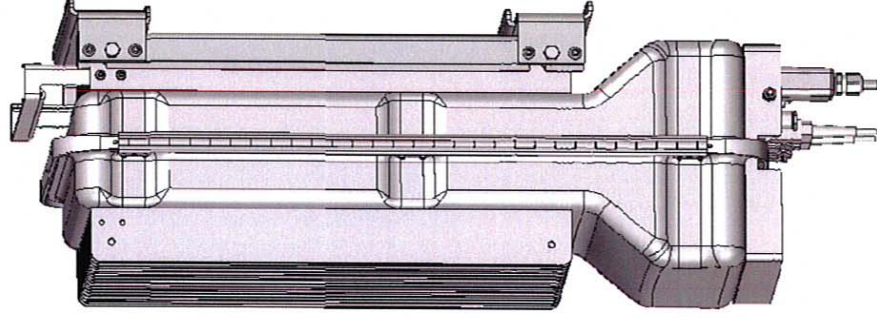
Wall bracket

- Assemble the wall bracket and mount it either on a wall or on the Pole mounting kit

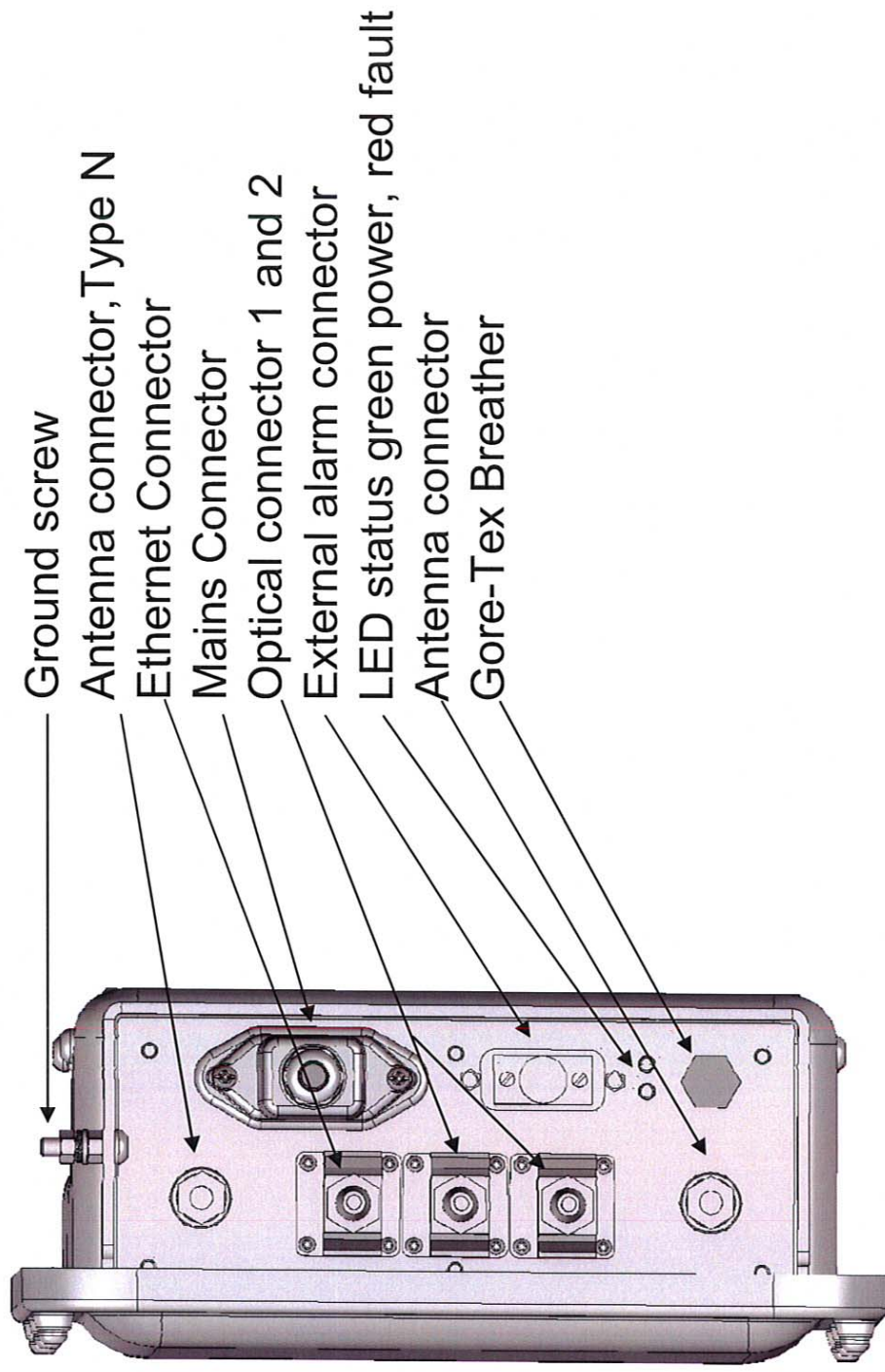


Mount the chassis

- Snapp in the complete singel or dual chassis in the Wall bracket

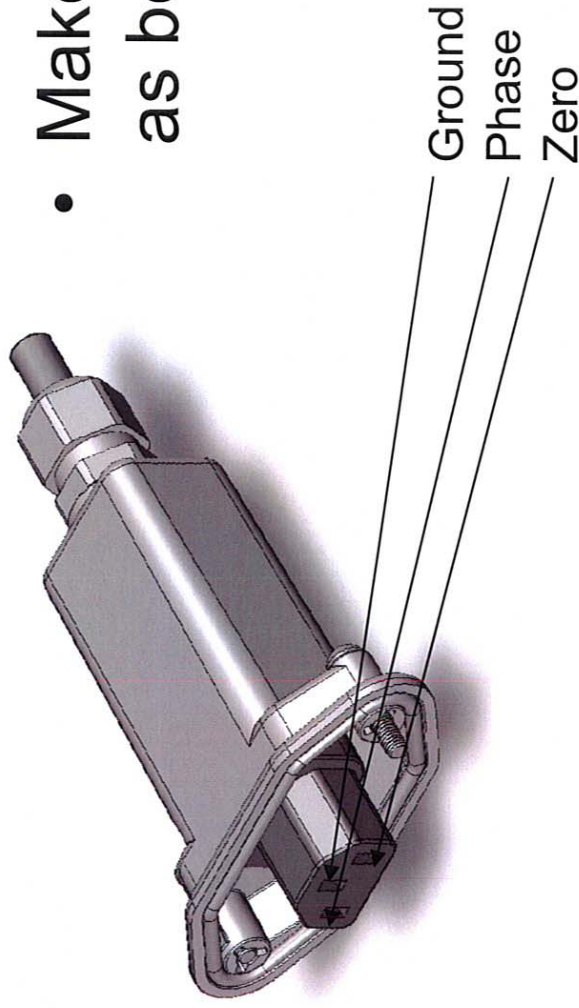


Connections

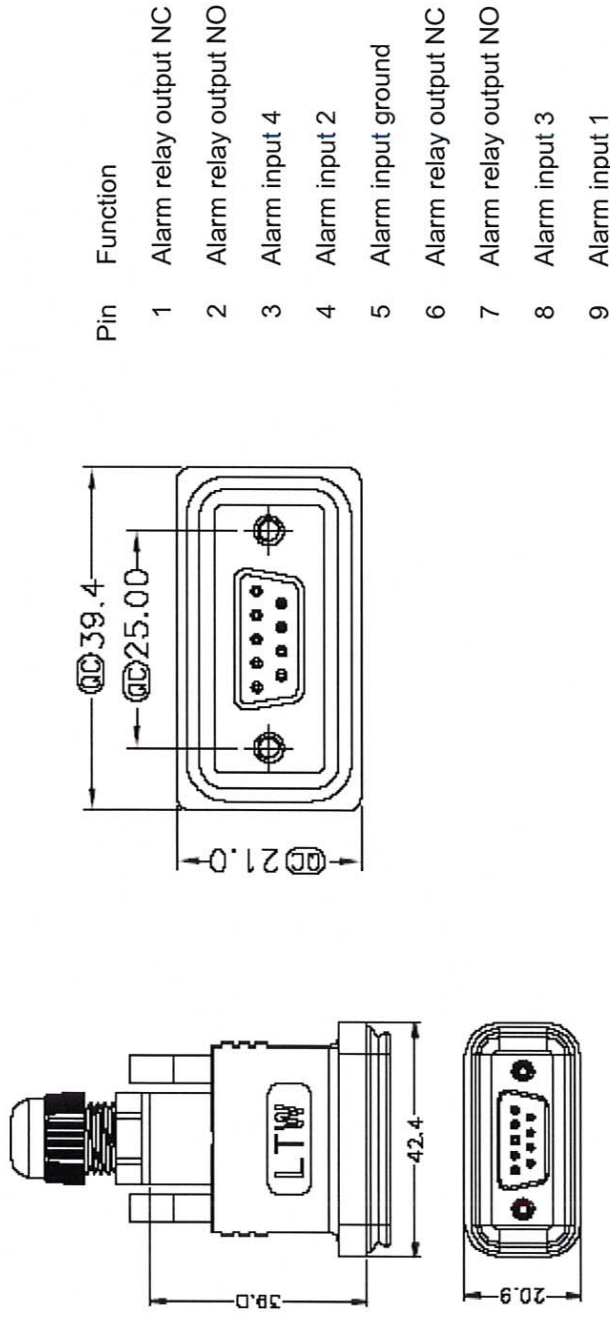


Mains Connector

- Mains Connector weatherproof type
- Make sure to connect as below



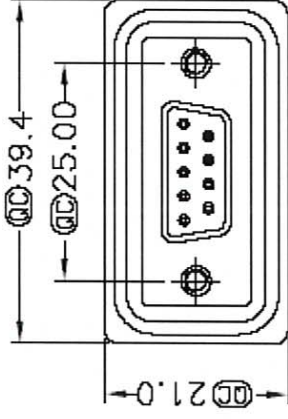
External alarm input at Remote unit from external devices



Use an IP 67 D-Sub connector for
External connections

External Alarm at BIU to BTS

External alarm input



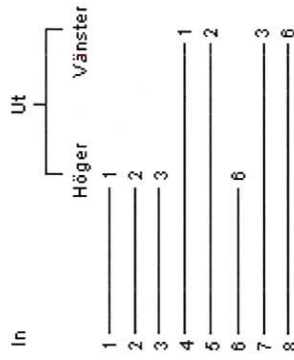
Pin	Signal
1	Not connected
2	Not connected
3	Alarm out 1
4	Alarm out 2
5	Ground
6	Ground
7	Not connected
8	Not connected
9	Not connected

Use a standard 9 pole D-Sub Connector for connection to BTS

RJ 45 connection at Remote unit



RJ 45 splitter for configurations with 2
Optical interfaces and one connector



Connector types

- Optical connector: dual fiber inlet with SC/APC cut.
- Ethernet: RJ45 connector If two Fiber Optic boards are used in the Remote Unit you need to have an RJ45 splitter to separate into 2 ethernet channels.
- Antenna: Type N
- Ext alarm: 9-pole IP67 D-sub female connector. Mains: 3 pole C14 connector