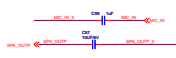
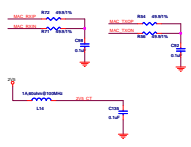
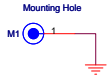
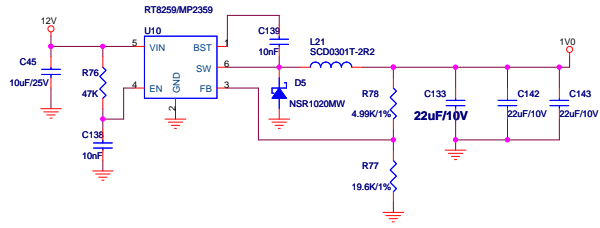
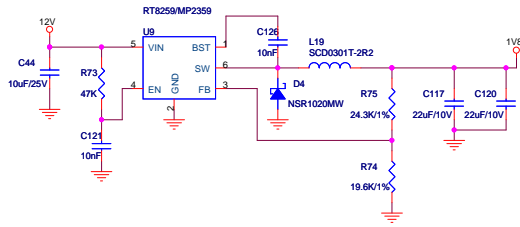


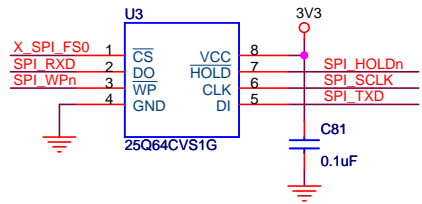
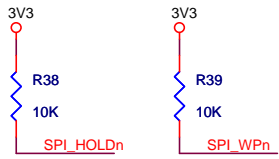
	Bayer 12	Bayer 10	Bayer 8 #B5656	BT866 x2	B601 #B5656	BT1120	B7601 16
CAPI_D1	D11	D9	D7	DC 7	D601_7	F7	F7
CAPI_D6	D17	D8	D6	DC 6	D601_6	F6	F6
CAPI_D5	D9	D7	D5	DC 5	D601_5	F5	F5
CAPI_D4	D8	D6	D4	DC 4	D601_4	F4	F4
CAPI_D3	D7	D5	D3	DC 3	D601_3	F3	F3
CAPI_D2	D6	D4	D2	DC 2	D601_2	F2	F2
CAPI_D1	D5	D3	D1	DC 1	D601_1	F1	F1
CAPI_D0	D4	D2	D0	DC 0	D601_0	F0	F0
CAPI_CLR	CLR	CLR	CLR	CLR0	S01_CLR	CLR	CLR
CAPI_VP	VP	VP	VP	VP0	S01_VP	VP	VP
CAPI_VS	VS	VS	VS	VS0	S01_VS	VS	VS
CAPI_D7	D3	D1	D3SS 7	D1_7	D556_7	C7	C7
CAPI_D6	D2	D0	D3SS 6	D1_6	D556_6	C6	C6
CAPI_D5	D1	D0	D3SS 5	D1_5	D556_5	C5	C5
CAPI_D4	D0		D3SS 4	D1_4	D556_4	C4	C4
CAPI_D3			D3SS 3	D1_3	D556_3	C3	C3
CAPI_D2			D3SS 2	D1_2	D556_2	C2	C2
CAPI_D1			D3SS 1	D1_1	D556_1	C1	C1
CAPI_D0			D3SS 0	D1_0	D556_0	C0	C0
CAPI_CLR			D3S_CLR	CLR0	D556_CLR		

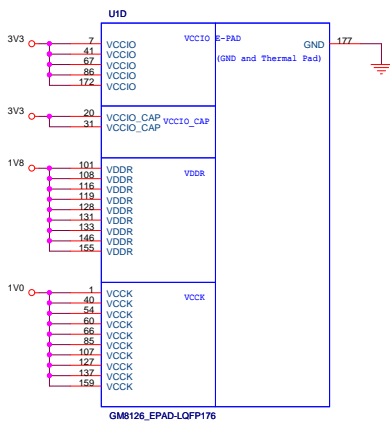


SMT MARK

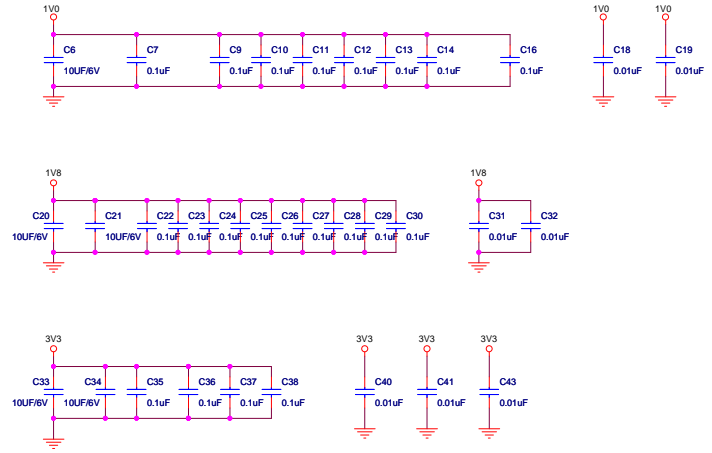
- T5
- T6
- T7
- T8

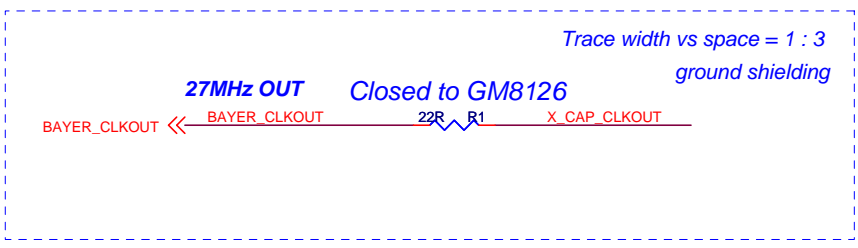
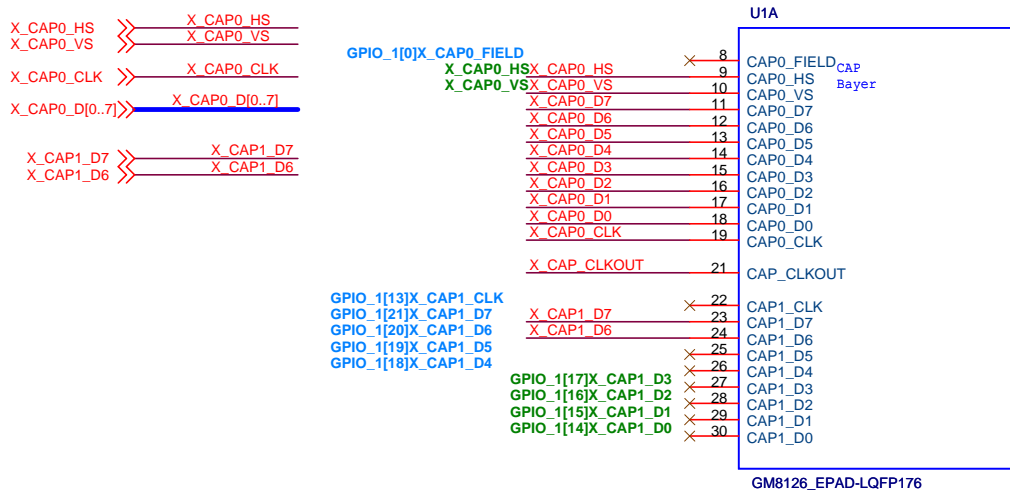


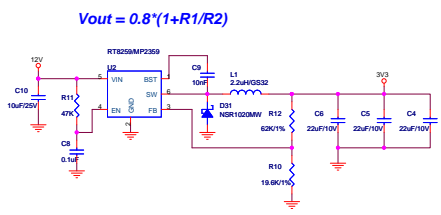
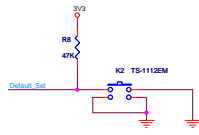
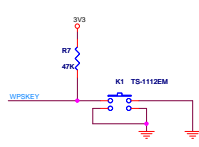
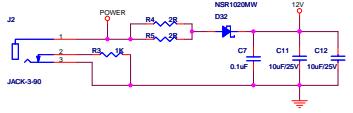
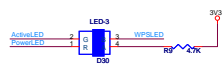
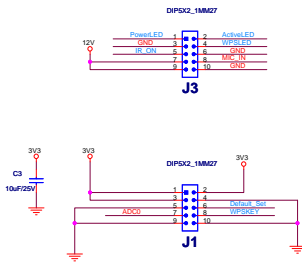
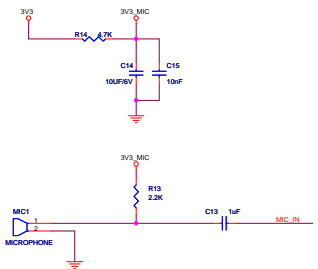
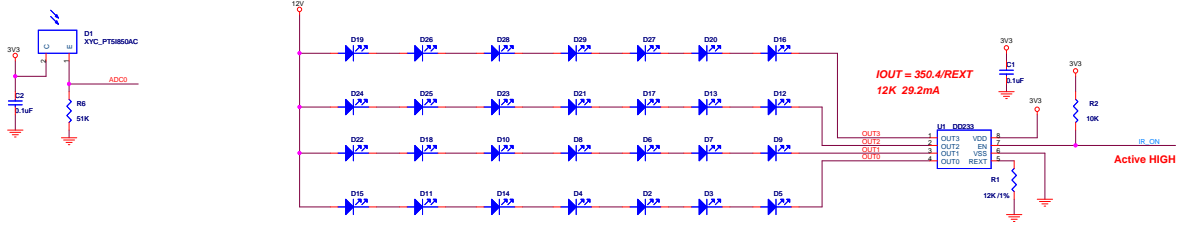


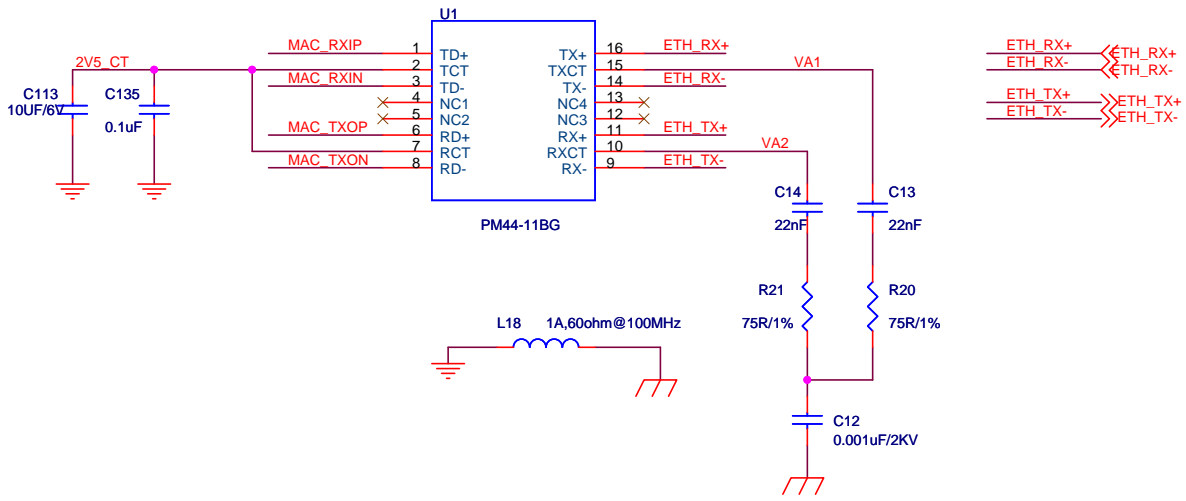
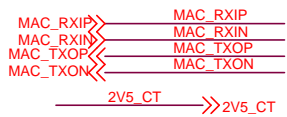


Close to GM8126

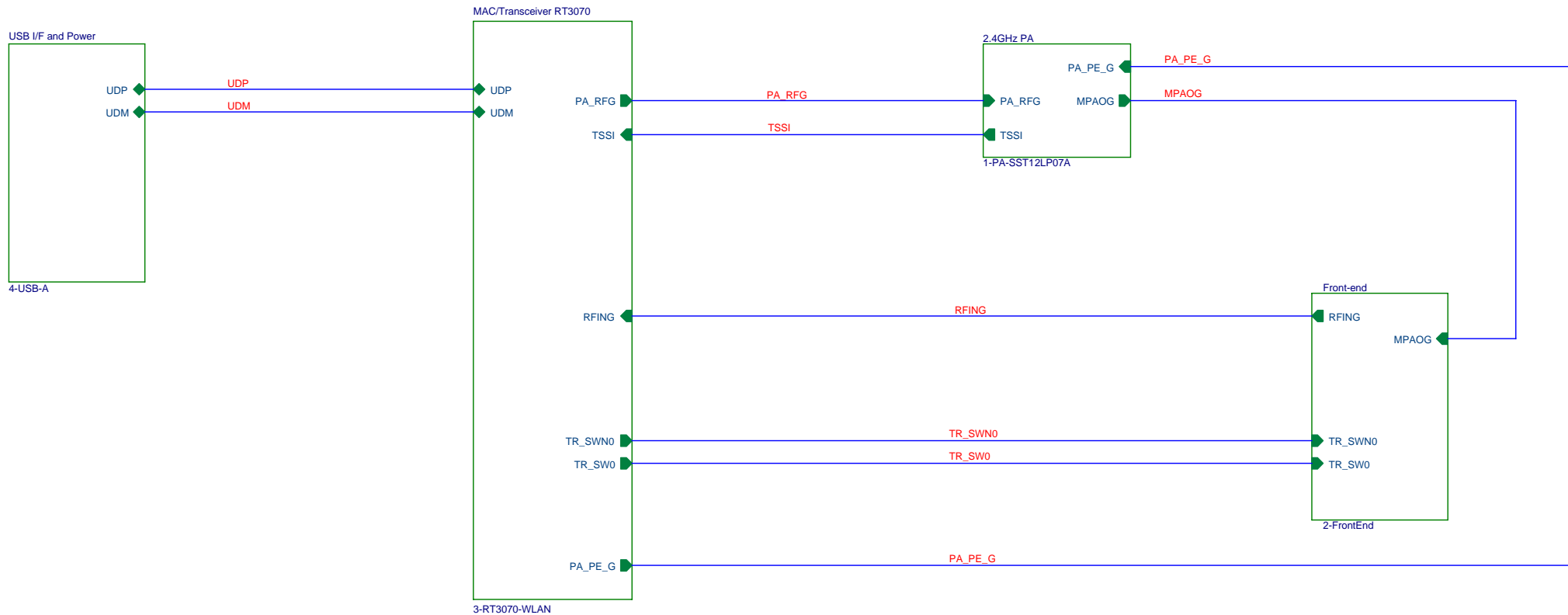







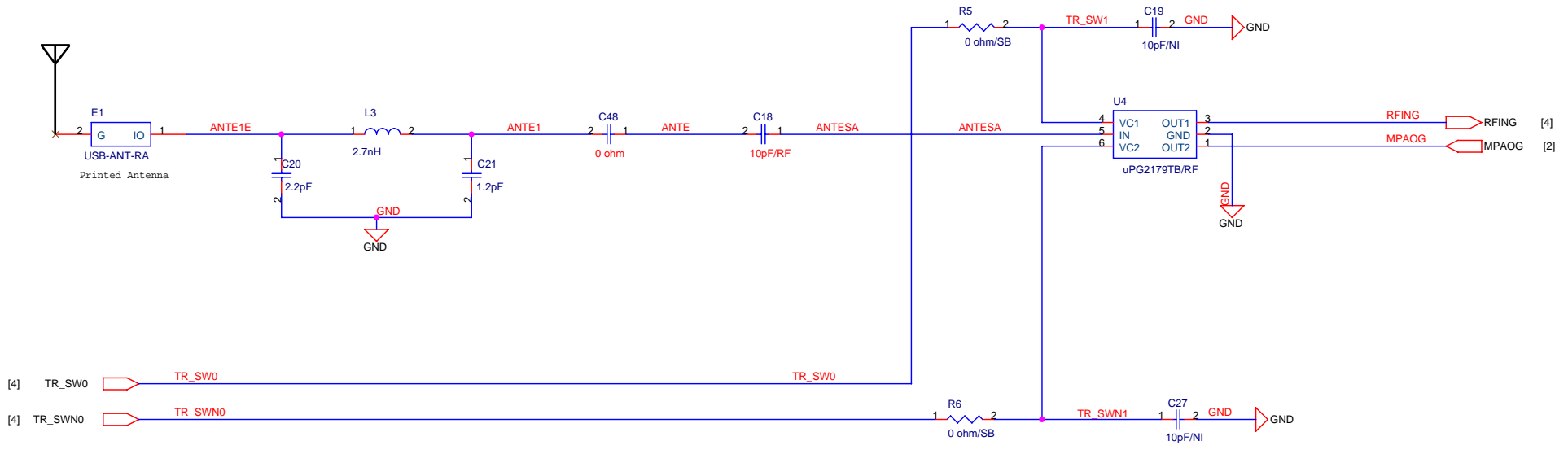


5 4 3 2 1




Filename:
PEN-RT3070-QFN-V33ST-A-081013.DSN

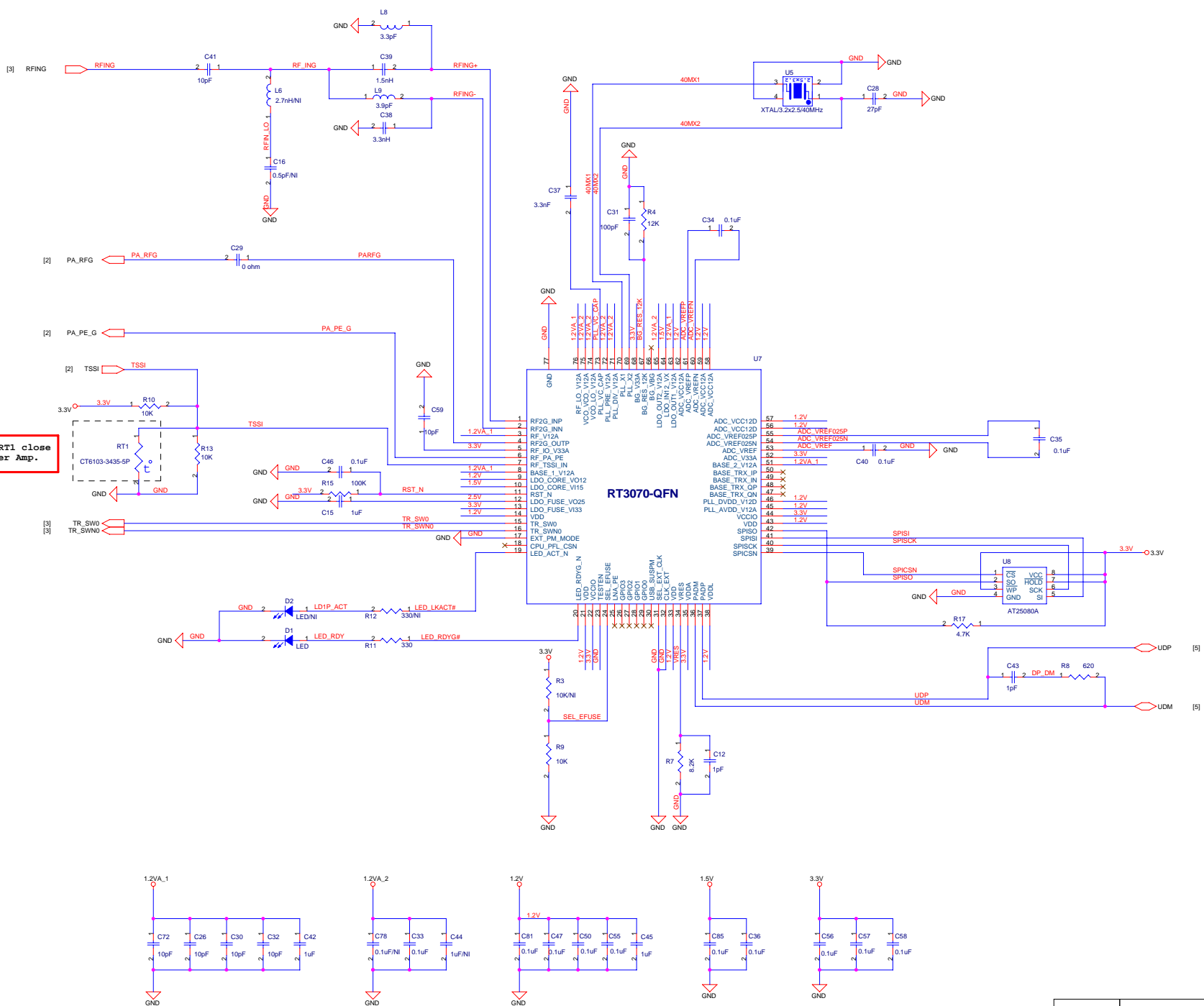
		RALINK TECHNOLOGY, CORP.	
		Title 2.4G USB Card - RT3070	
Size B	Document Number PEN-RT3070-V33ST-A.SCH		Rev 3.3
Date: Tuesday, November 25, 2008		Sheet 1 of 6	



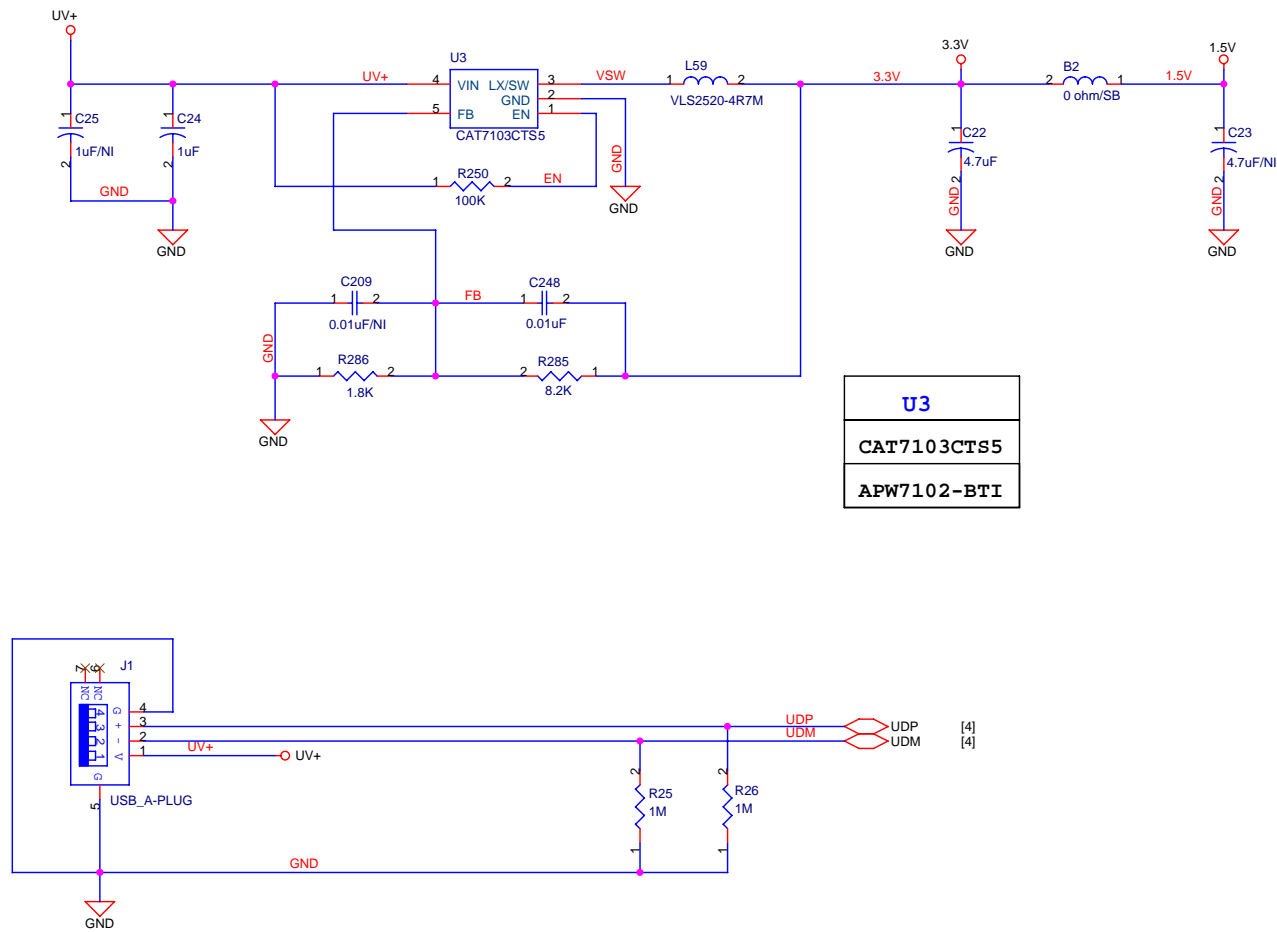
[4] TR_SW0
 [4] TR_SWN0

		RALINK TECHNOLOGY, CORP.	
		Title Front-End	
Size B	Document Number 2-FrontEnd.SCH		Rev 3.3
Date:	Wednesday, October 15, 2008	Sheet	3 of 6


Place RT1 close to Power Amp.



Ralink Technology, Corp.		
File	RT3070-WLAN	
Size	Document Number	Rev
C	3-RT3070-WLAN.SCH	3.3
Date	Wednesday, October 15, 2008	Sheet 4 of 6



U3
CAT7103CTS5
APW7102-BTI

		RALINK TECHNOLOGY, CORP.	
		Title PEN USB Interface and Power	
Size B	Document Number 4-USB-A.SCH	Rev 3.3	
Date: Tuesday, November 25, 2008	Sheet 5	of 6	

