

Data code/ Version	Modification
1.0	-First release

Change log:

UnRegistered

Title		
Revision		
Size	Document Number	Rev
A	OTIP228BGM812X	1VA
Date:	Tuesday, June 05, 2012	Sheet 1 of 11



X\_CAP\_CLKOUT >> X\_CAP\_CLKOUT

X\_CAP0\_HS <<  
X\_CAP0\_VS <<

X\_CAP0\_CLK <<  
X\_CAP0\_D[0..7] <<

X\_CAP1\_CLK <<  
X\_CAP1\_D[0..7] <<

CAP0\_HS >> CAP0\_HS  
CAP0\_VS >> CAP0\_VS

CAP0\_CLK >> CAP0\_CLK  
CAP0\_D[0..7] >> CAP0\_D[0..7]

CAP1\_D[0..7] >> CAP1\_D[0..7]

I2C\_SCL >>  
I2C\_SDA >>

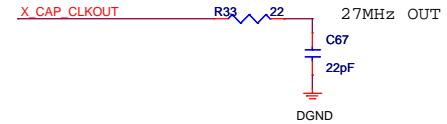
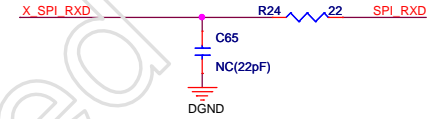
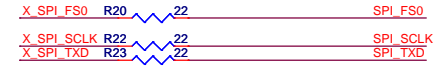
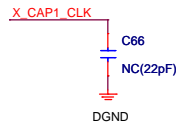
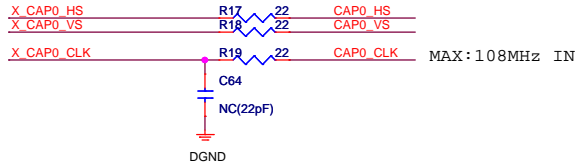
PWM0 >> PWM0  
PWM1 >> PWM1  
PWM2 >> PWM2  
PWM3 >> PWM3

X\_SPI\_FS0 >> X\_SPI\_FS0

X\_SPI\_SCLK >> X\_SPI\_SCLK  
X\_SPI\_TXD >> X\_SPI\_TXD  
X\_SPI\_RXD >> X\_SPI\_RXD

SPI\_SCLK << SPI\_SCLK  
SPI\_FS0 << SPI\_FS0

SPI\_TXD << SPI\_TXD  
SPI\_RXD << SPI\_RXD

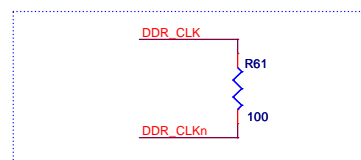
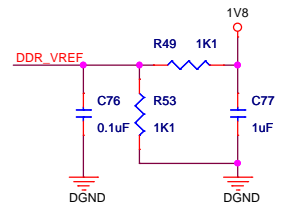
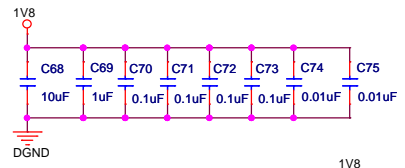
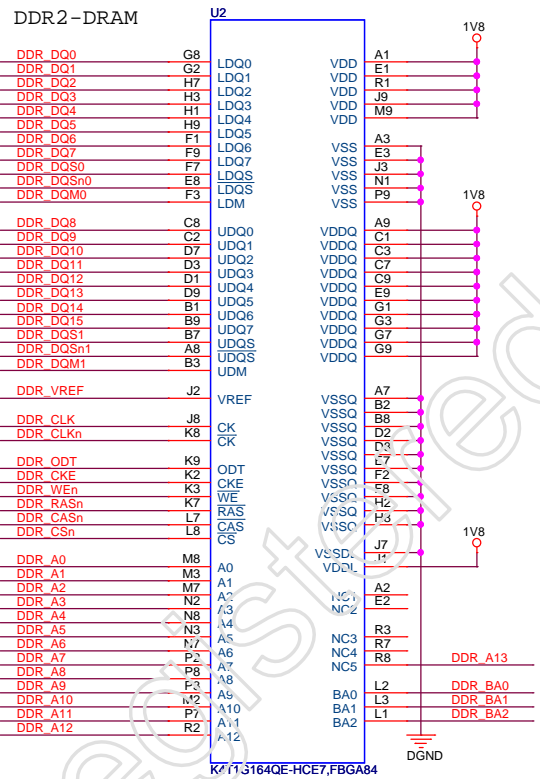
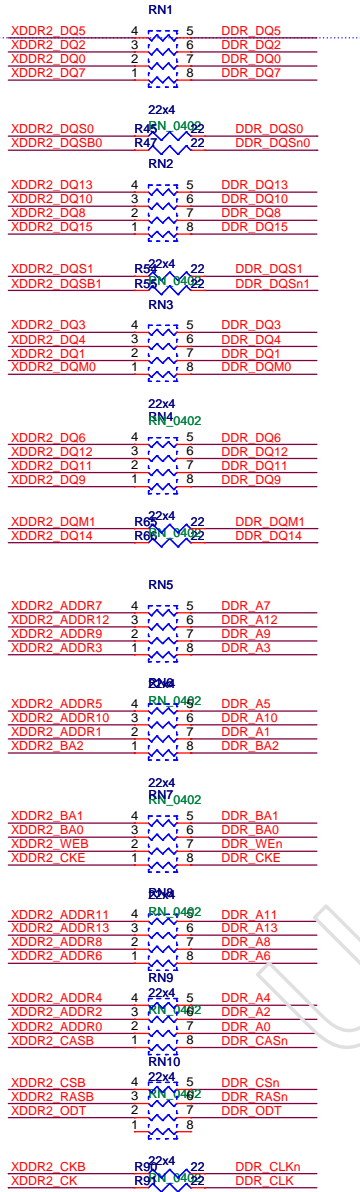


Title		
PIN MUX		
Size	Document Number	Rev
B	OTIP228BGM812X	1VA
Date:	Tuesday, June 05, 2012	Sheet 3 of 11

XDDR2\_DQ[0..15]  
 XDDR2\_DQS[0..1]  
 XDDR2\_DQSB[0..1]  
 XDDR2\_DQM[0..1]  
 XDDR2\_ADDR[0..13]  
 XDDR2\_BA[0..2]

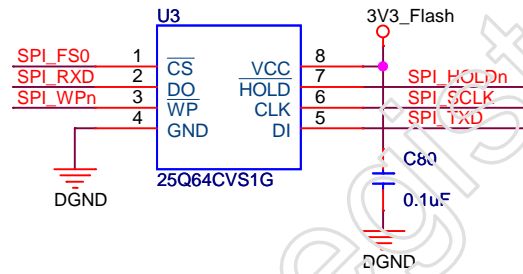
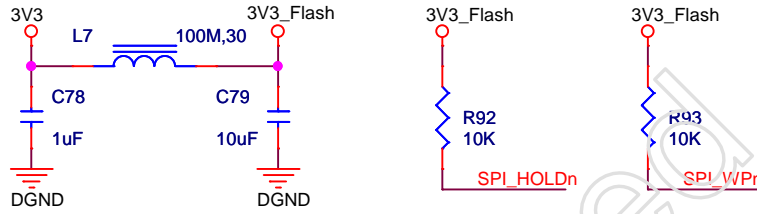
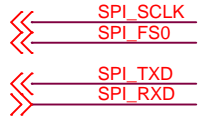
XDDR2\_ODT

XDDR2\_CK  
 XDDR2\_CKB  
 XDDR2\_CKE  
 XDDR2\_CSB  
 XDDR2\_WEB  
 XDDR2\_RASB  
 XDDR2\_CASB



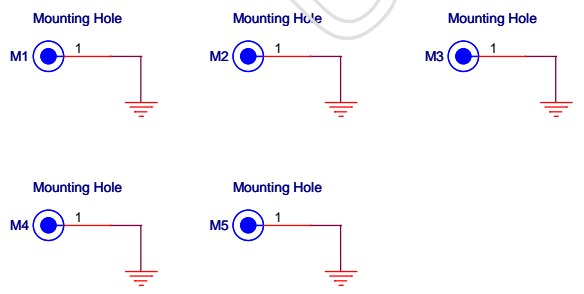
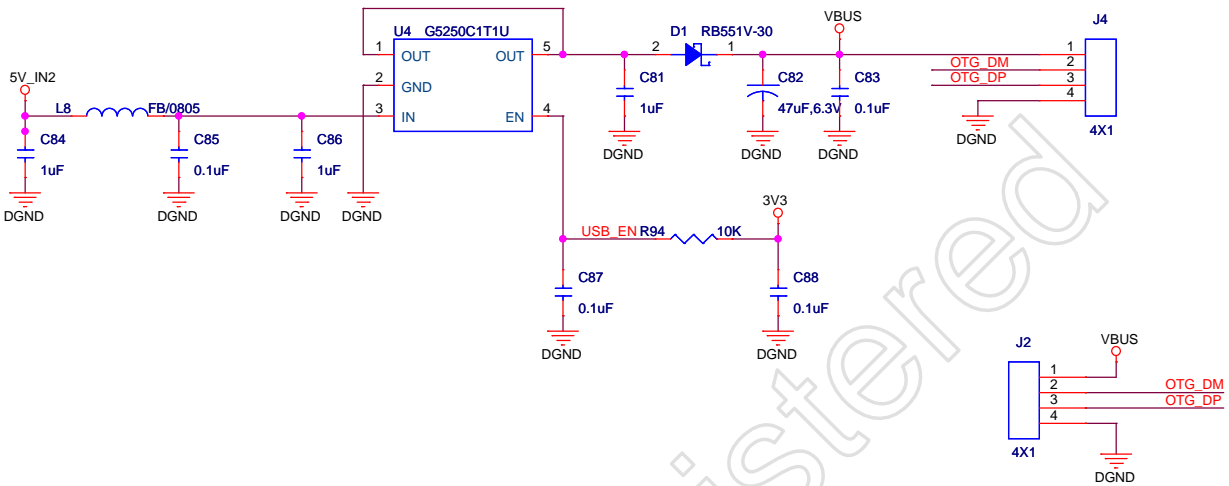
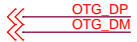
Title		
DDR2		
Size	Document Number	Rev
B	OTIP228BG812X	1VA
Date:	Tuesday, June 05, 2012	Sheet 4 of 11

SPI\_SCLK  
 SPI\_FS0  
 SPI\_TXD  
 SPI\_RXD



Title		
Flash		
Size	Document Number	Rev
A	OTIP228BGM812X	1VA
Date: Tuesday, June 05, 2012		
Sheet 5		of 11

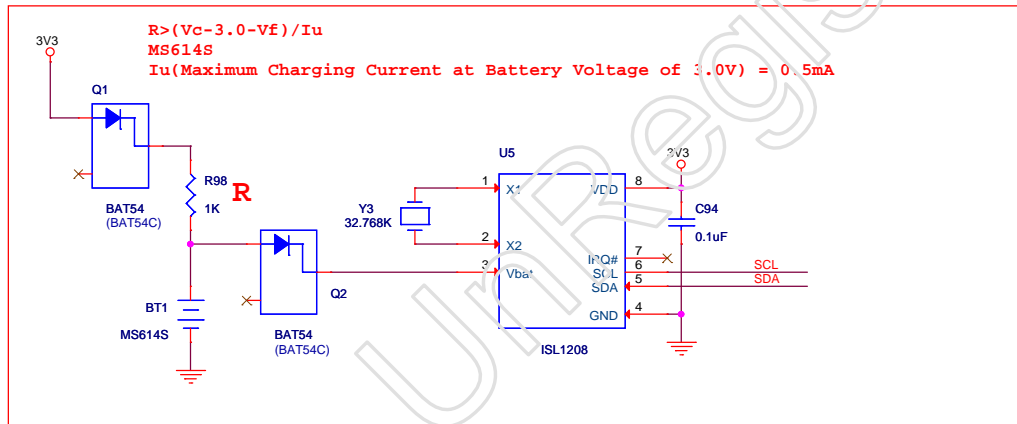
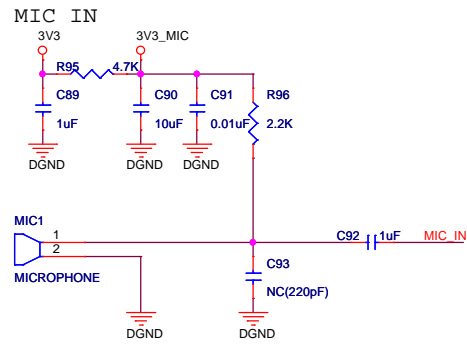
OTG\_DP  
OTG\_DM



Title		
USB		
Size	Document Number	Rev
Custom	OTIP228BGM812X	1VA
Date:	Tuesday, June 05, 2012	Sheet 6 of 11

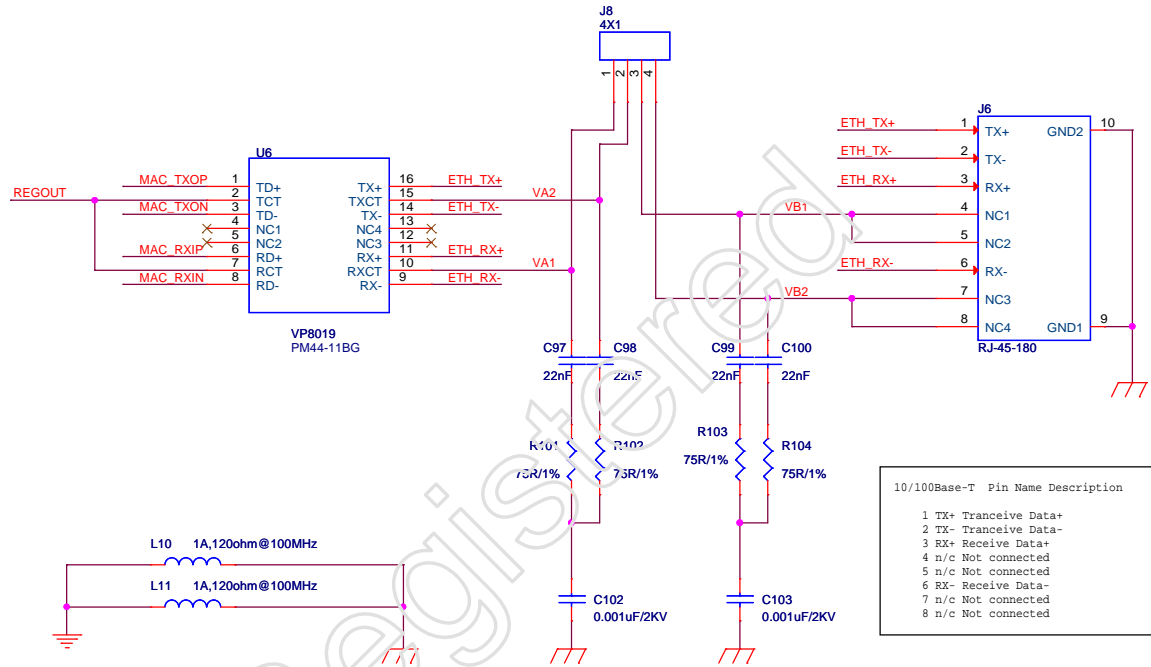
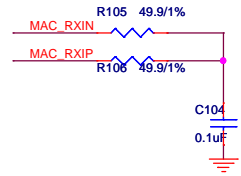
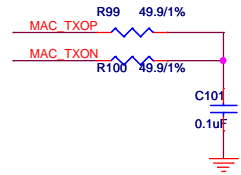
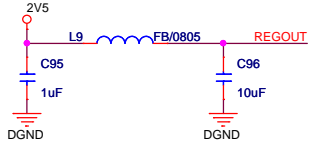
MIC\_IN ←← MIC\_IN

I2C\_SCL I2C\_SDA ⇨⇨ SCL SDA



Title		
Audio_RTC		
Size	Document Number	Rev
B	OTIP228BGM812X	1VA
Date:	Tuesday, June 05, 2012	Sheet 7 of 11

MAC\_TXOP  
 MAC\_TXON  
 MAC\_RXIP  
 MAC\_RXIN

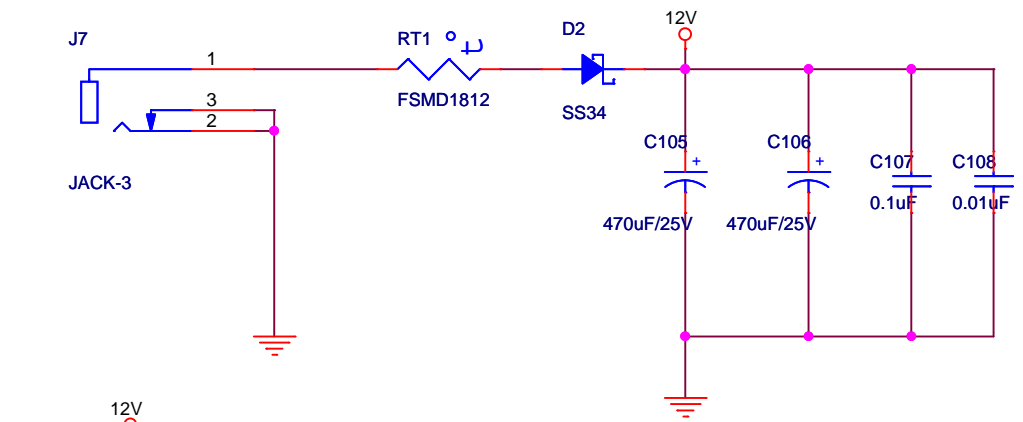


10/100Base-T Pin Name Description

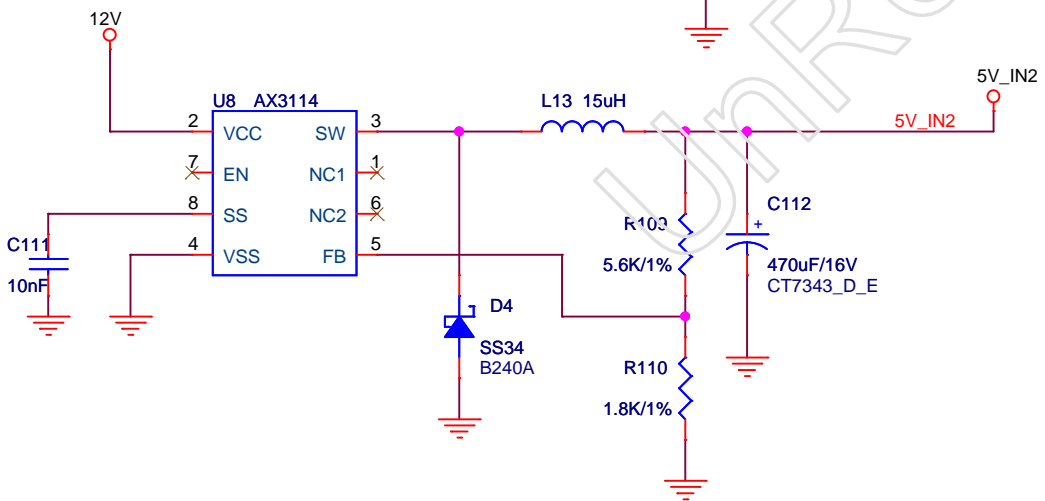
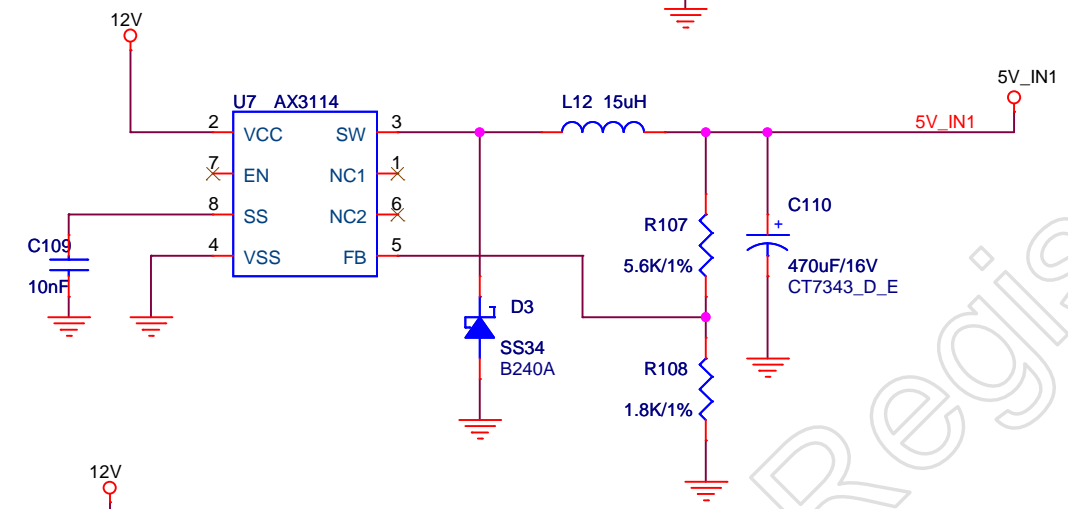
1	TX+ Tranceive Data+
2	TX- Tranceive Data-
3	RX+ Receive Data+
4	n/c Not connected
5	n/c Not connected
6	RX- Receive Data-
7	n/c Not connected
8	n/c Not connected

Title		
Network		
Size	Document Number	Rev
	OTIP228BGM812X	
Date:	Tuesday, June 05, 2012	Sheet 8 of 11





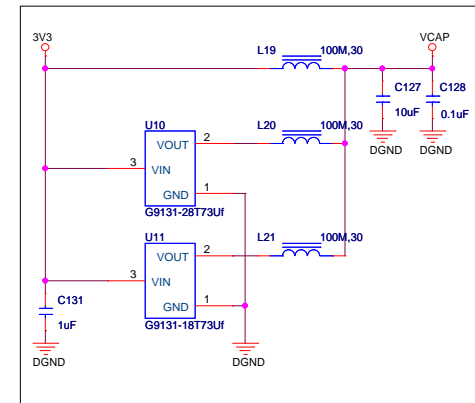
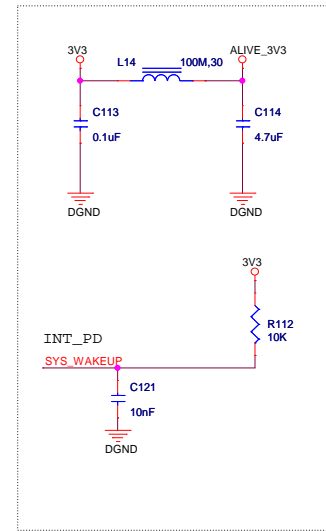
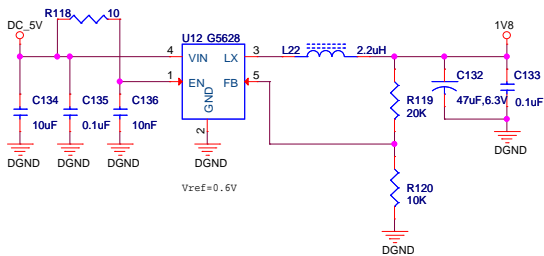
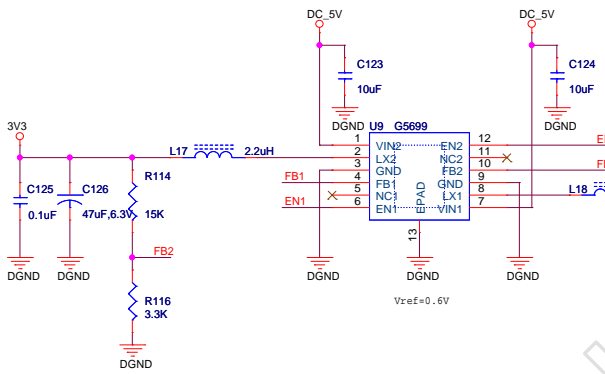
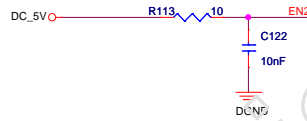
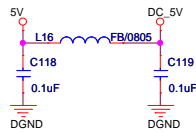
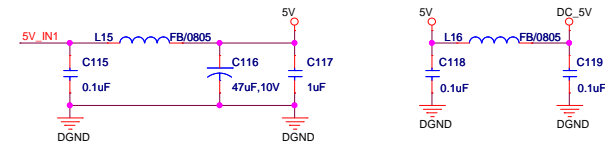
5V\_IN1 >> 5V\_IN1



Title		
Power_1		
Size	Document Number	Rev
A	OTIP228BGM812X	1VA
Date:	Tuesday, June 05, 2012	Sheet 9 of 11

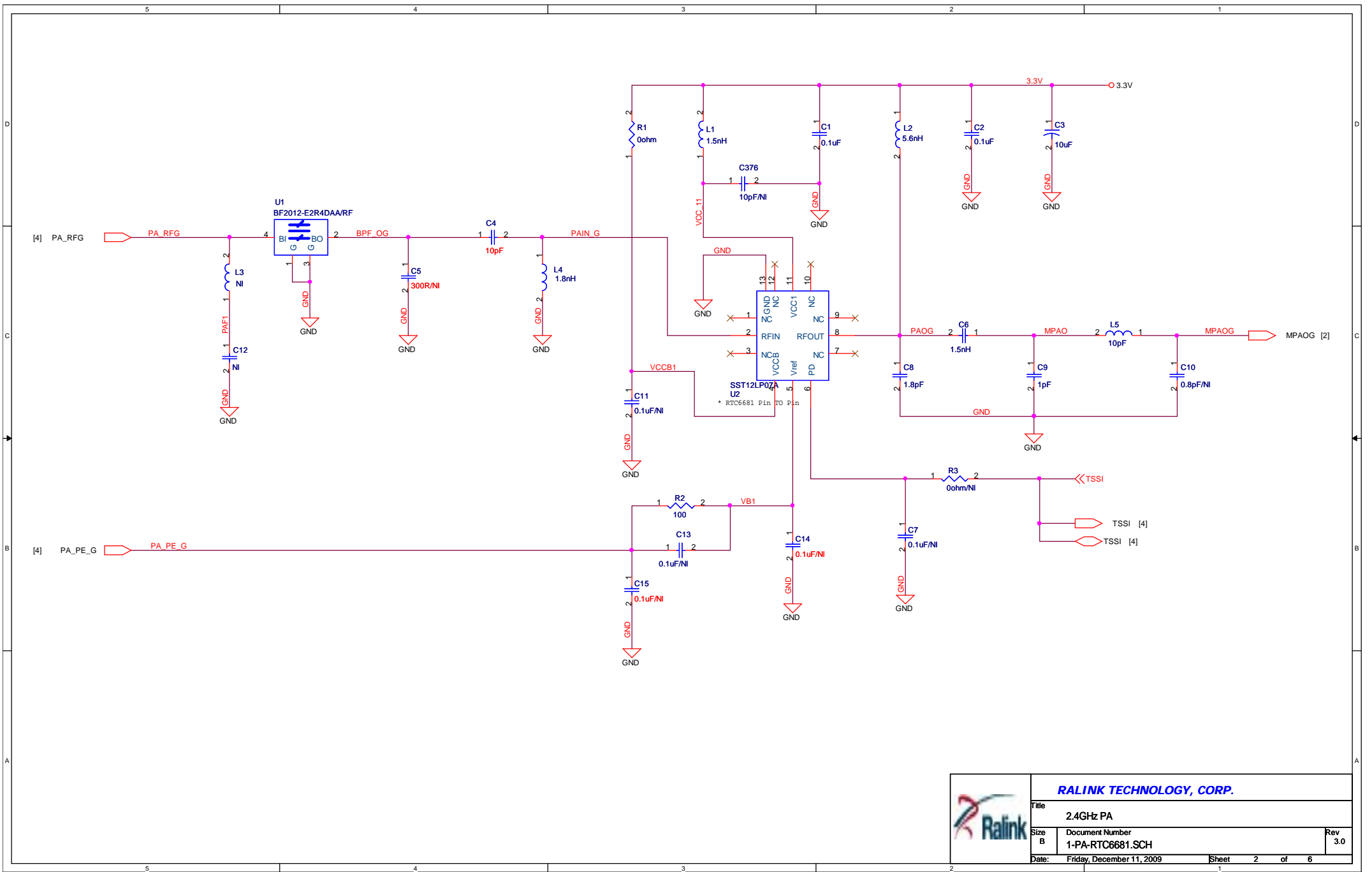
SYS\_WAKEUP >> SYS\_WAKEUP


5V\_IN1 >> 5V\_IN1



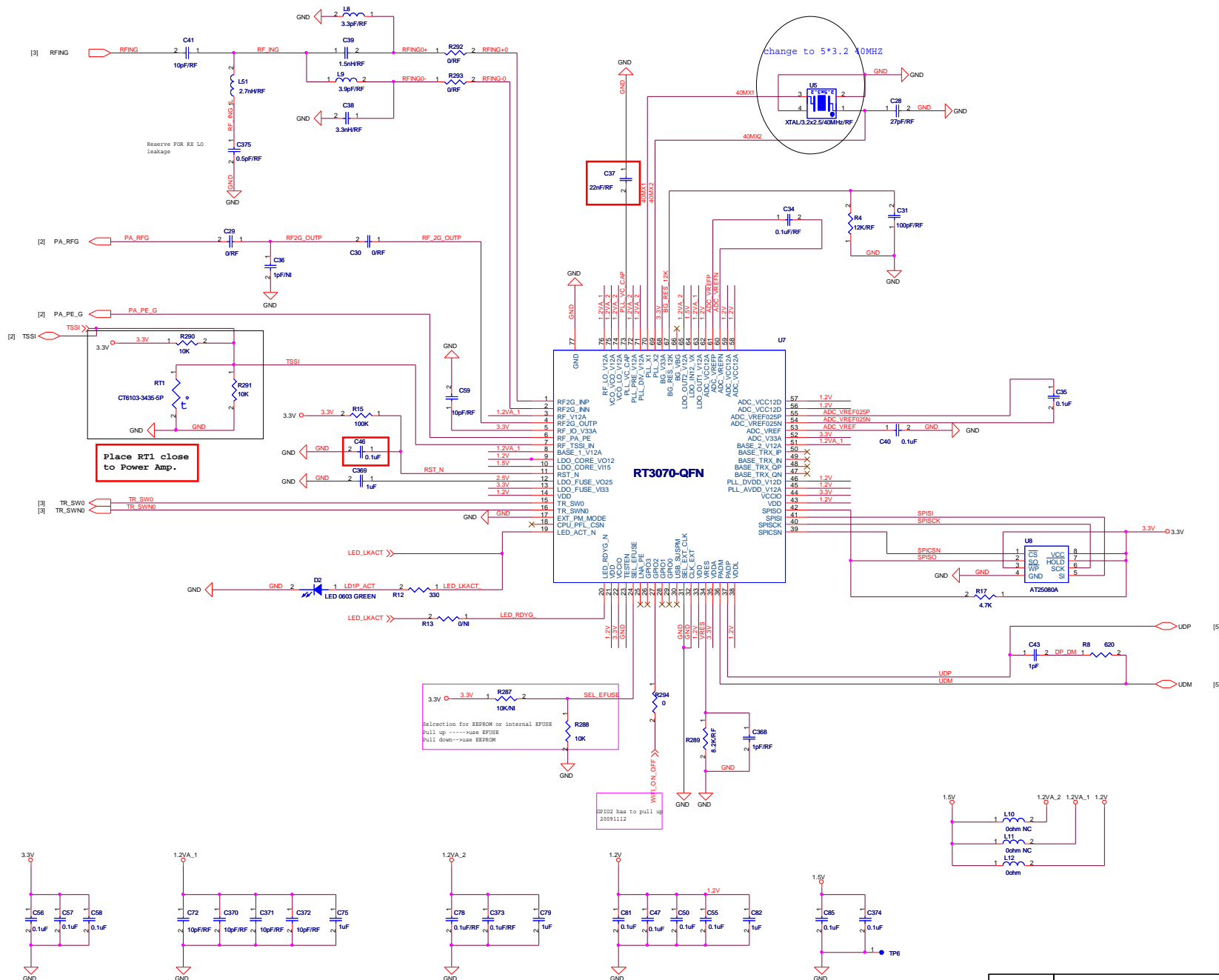
Title		
POWER_2		
Size	Document Number	Rev
	Custom OTIP228BGM812X	1/A
Date:	Tuesday, June 05, 2012	Sheet 10 of 11





		<b>RALINK TECHNOLOGY, CORP.</b>	
		Title: 2.4GHz PA	
Size: B	Document Number: 1-PA-RTC6681.SCH		Rev: 3.0
Date: Friday, December 11, 2009	Sheet: 2	of 6	





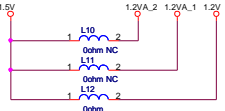
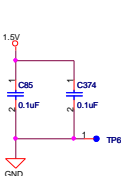
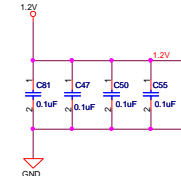
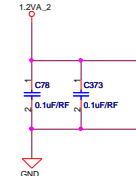
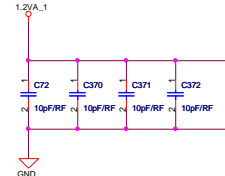
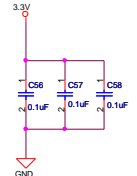
Place RTI close to Power Amp.

change to 5\*3.2 10MHZ

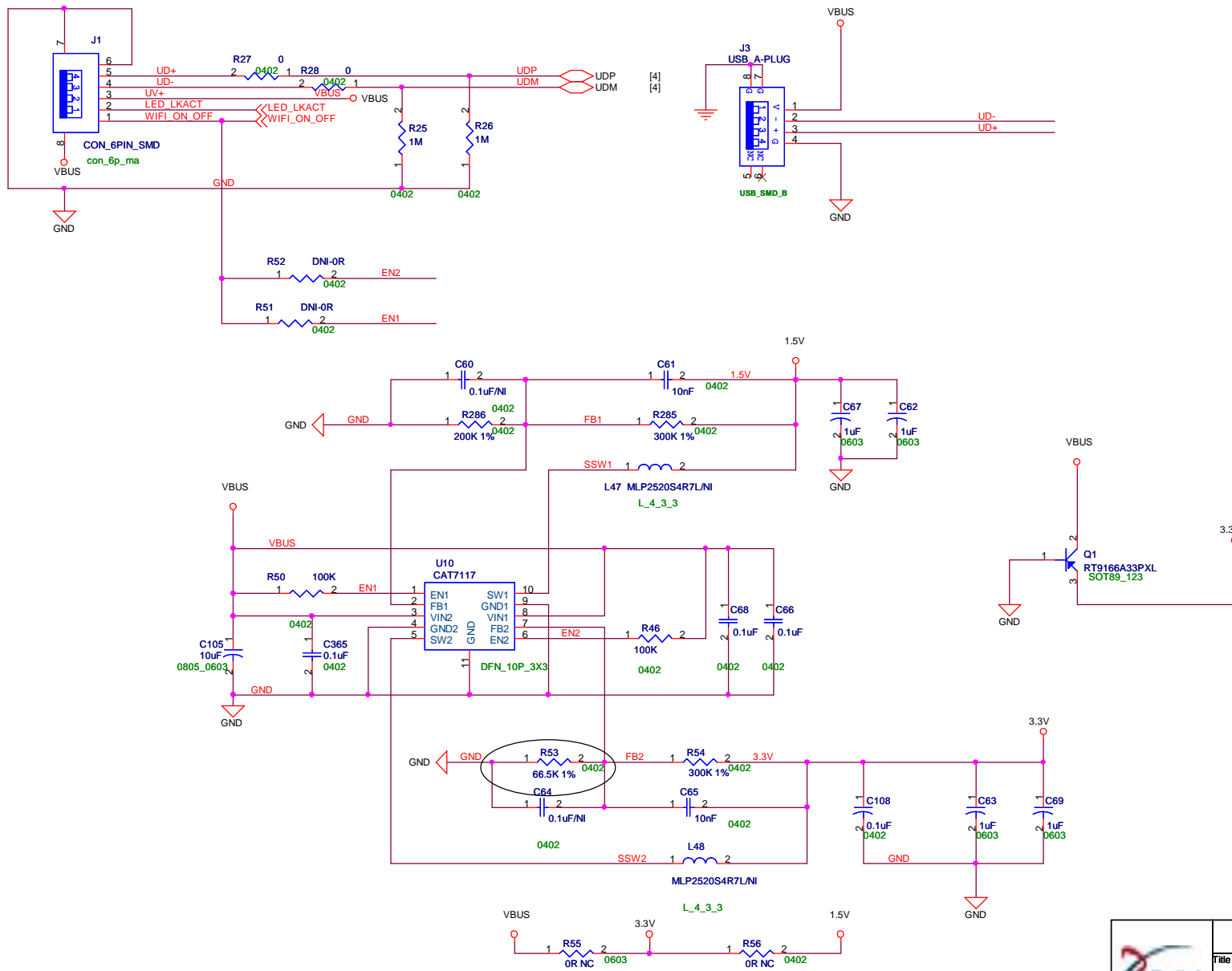
SEL\_EFUSE  
 Selection for EEPROM or Internal EFUSE  
 Pull up -----use EFUSE  
 Pull down-----use EEPROM

WIFI ON/OFF


SPICSN has to pull up 2001112



		<b>RALINK TECHNOLOGY, CORP.</b>	
		File	RT3070-WLAN
Size	C	Document Number	3-RT3070-WLAN.SCH
Date	Friday, December 11, 2009	Rev	3.0
		Sheet	4 of 6



如果使用3.3v输入，则R55、R56上。

		<b>RALINK TECHNOLOGY, CORP.</b>	
		Title PEN USB Interface and Power	
Size B	Document Number 4-USB-A.SCH		Rev 3.0
	Date: Thursday, September 22, 2011	Sheet 5 of 6	