

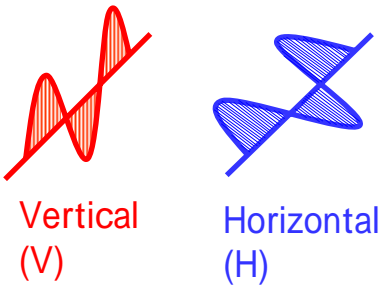
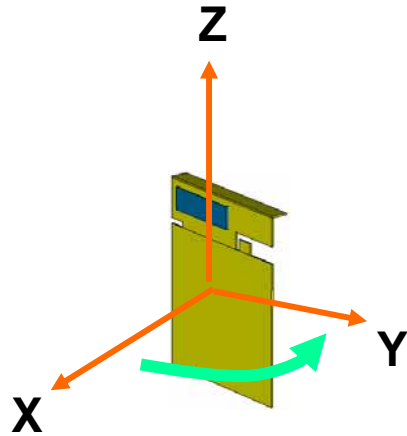
# 2-1. Radiation Pattern

(measured)

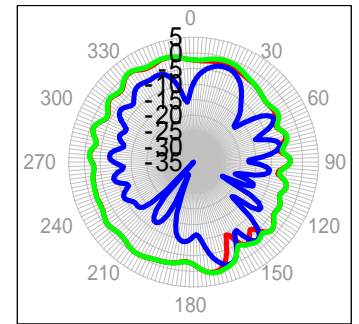
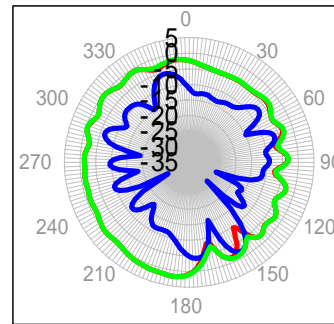
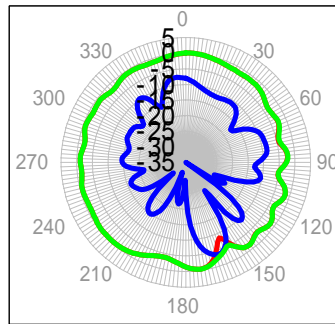
Antenna Only

Horizontal plane (XY-plane)

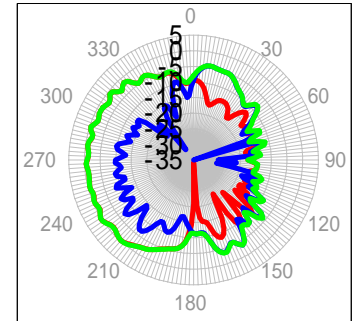
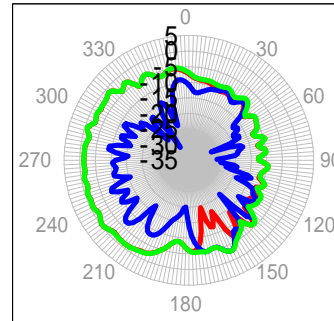
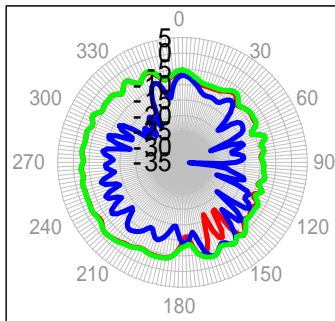
Azimuth Plane (XY-plane)



3.432			3.960			4.488		
V MAX	H MAX	VH MAX	V MAX	H MAX	VH MAX	V MAX	H MAX	VH MAX
0.07	-3.74	0.11	1.84	-2.01	1.86	0.92	-0.27	1.17
V Ave	H Ave	VH Ave	V Ave	H Ave	VH Ave	V Ave	H Ave	VH Ave
-1.71	-11.76	-1.64	-1.98	-9.38	-1.81	-2.45	-7.69	-2.09



6.600			7.128			7.656		
V MAX	H MAX	VH MAX	V MAX	H MAX	VH MAX	V MAX	H MAX	VH MAX
-1.48	-3.37	-1.47	-0.38	-2.94	-0.38	0.13	-3.56	0.14
V Ave	H Ave	VH Ave	V Ave	H Ave	VH Ave	V Ave	H Ave	VH Ave
-5.34	-10.53	-4.93	-4.90	-10.99	-4.49	-5.10	-9.89	-4.36



**Notes:** Antenna Pattern is measured with 500mm/ 1.13mm cable

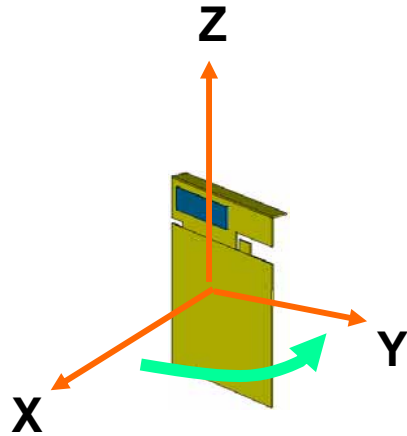
# 2-1. Radiation Pattern

(measured)

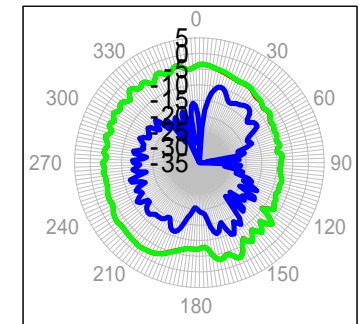
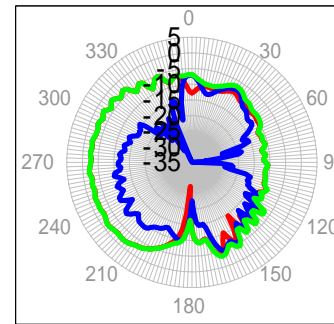
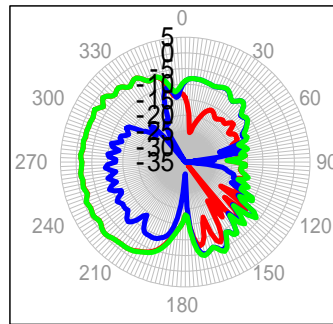
Antenna Only

Horizontal plane (XY-plane)

Azimuth Plane (XY-plane)



8.184			8.712			9.240		
V MAX	H MAX	VH MAX	V MAX	H MAX	VH MAX	V MAX	H MAX	VH MAX
-0.51	-4.35	-0.48	-1.65	-4.95	-1.57	-1.93	-9.57	-1.87
V Ave	H Ave	VH Ave	V Ave	H Ave	VH Ave	V Ave	H Ave	VH Ave
-5.72	-10.81	-5.08	-5.88	-11.46	-5.51	-4.95	-14.87	-4.91



Notes: Antenna Pattern is measured with 500mm/ 1.13mm cable

## 2-6. Average Gain, Peak Gain (measured)

### Antenna Only

