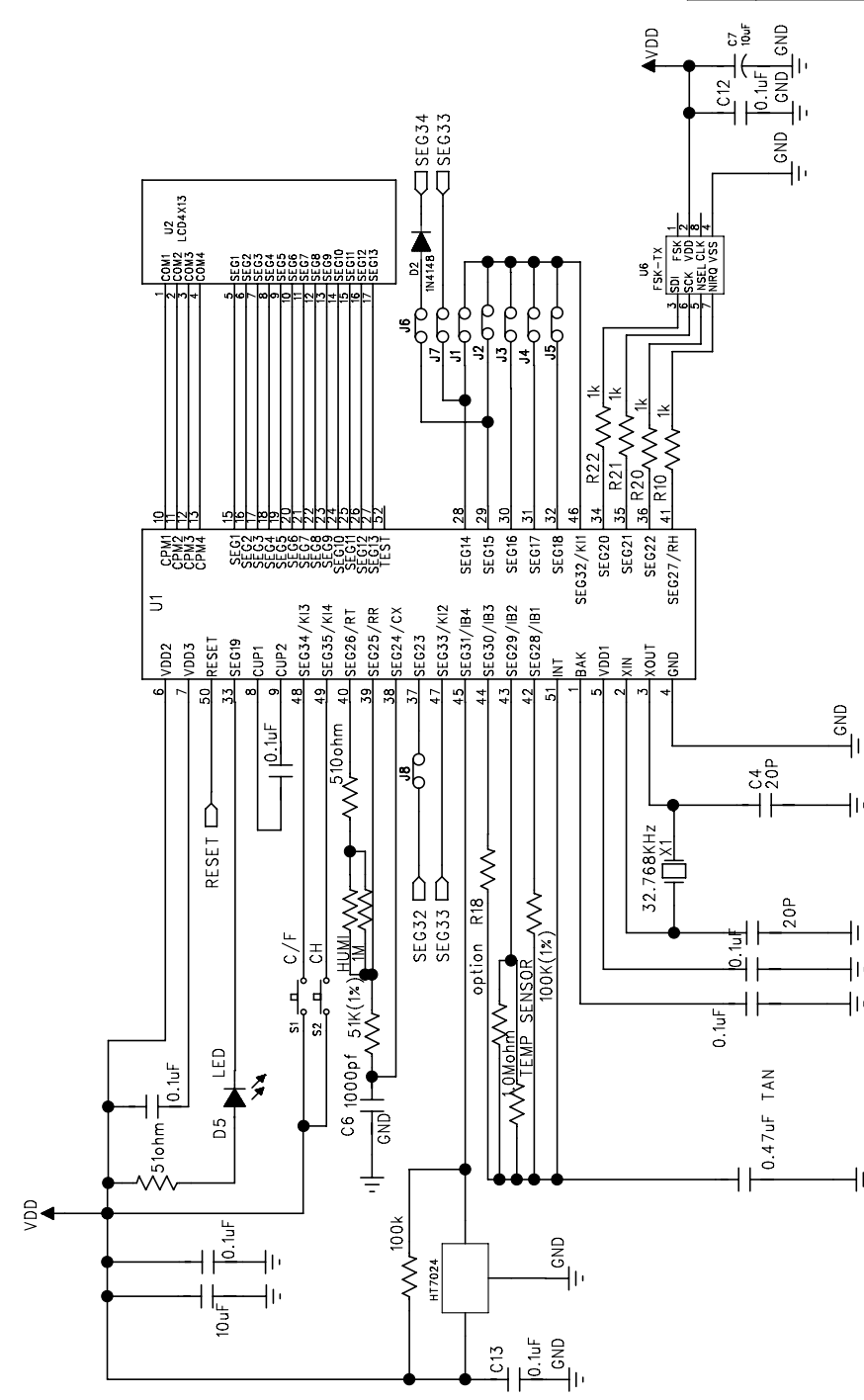
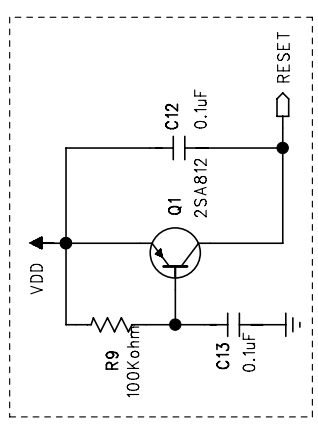


REV	ECO/Reason	REVISION	RECORD
0	Release for production		APPEND/DATE



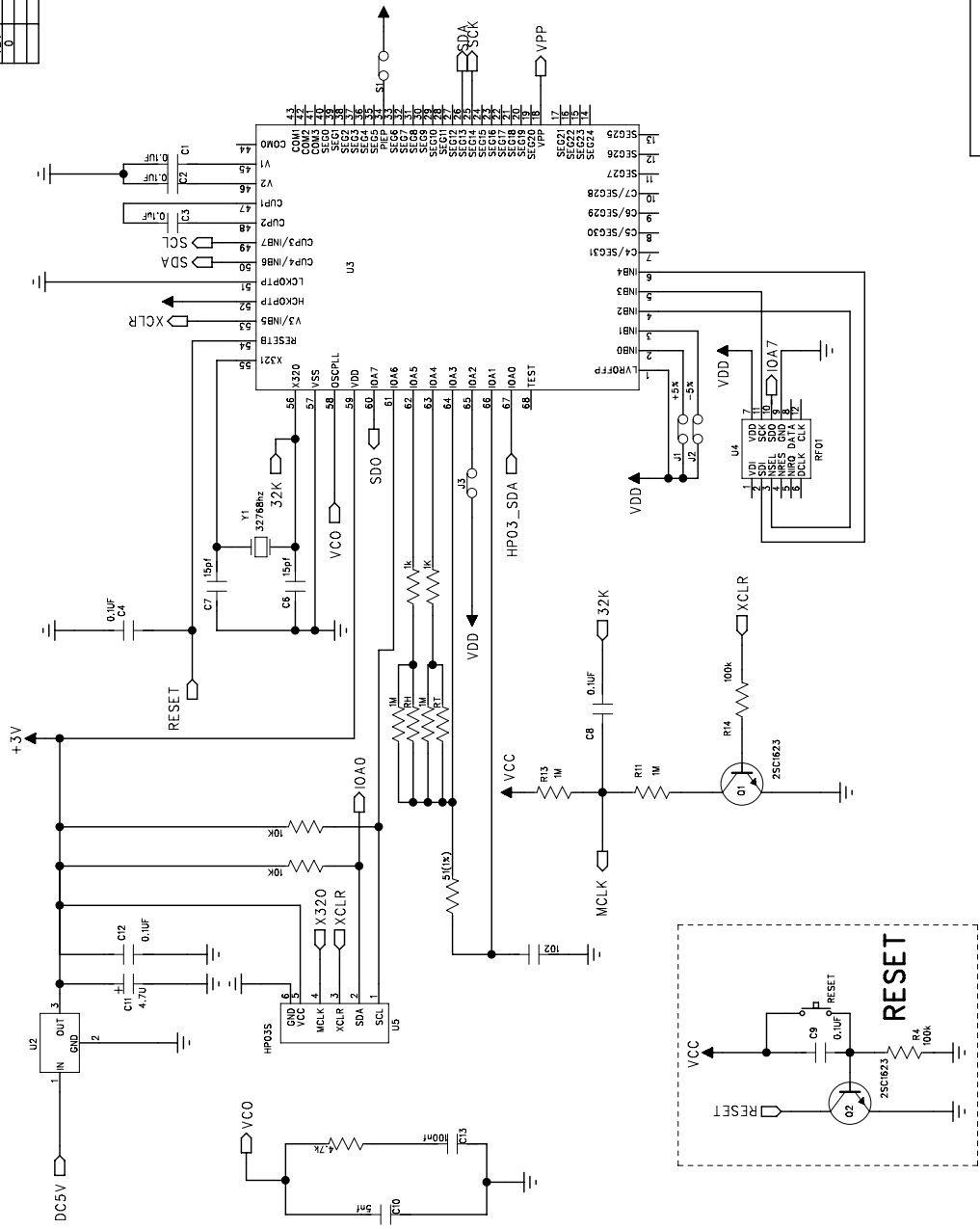
J1	OPEN	C
J1	CLOSE	F
J4 J5	0 0	Channel 1
J4 J5	1 0	Channel 2
J4 J5	0 1	Channel 3
J4 J5	1 1	KEY CTRL CHANNEL
J2 J3	1 0	FSK4.33MHZ
J2 J3	0 1	FSK868MHZ
J2 J3	1 1	FSK915MHZ
J2 J3	0 0	-----

RH_OFFSET				
J6 J7 J8	000	0%		
J6 J7 J8	001	+2%		
J6 J7 J8	010	+4%		
J6 J7 J8	011	+6%		
J6 J7 J8	100	-2%		
J6 J7 J8	101	-4%		
J6 J7 J8	110	-6%		
J6 J7 J8	111	-8%		



DESIGN:	DATE:
CHECKED:	DATE:
APPROVAL:	DATE:
MODELNO:	REV:0
FILE NAME:	PAGE NO.

REV	ECO/Revision	REVISION RECORD	APPROVED DATE
0	Release for production		



DESIGN:	DATE:	MODEL NO:	REV:1
CHECKED:	DATE:	FILE NAME:	PAGE NO. 1 of 1
APPROVAL:	DATE:		