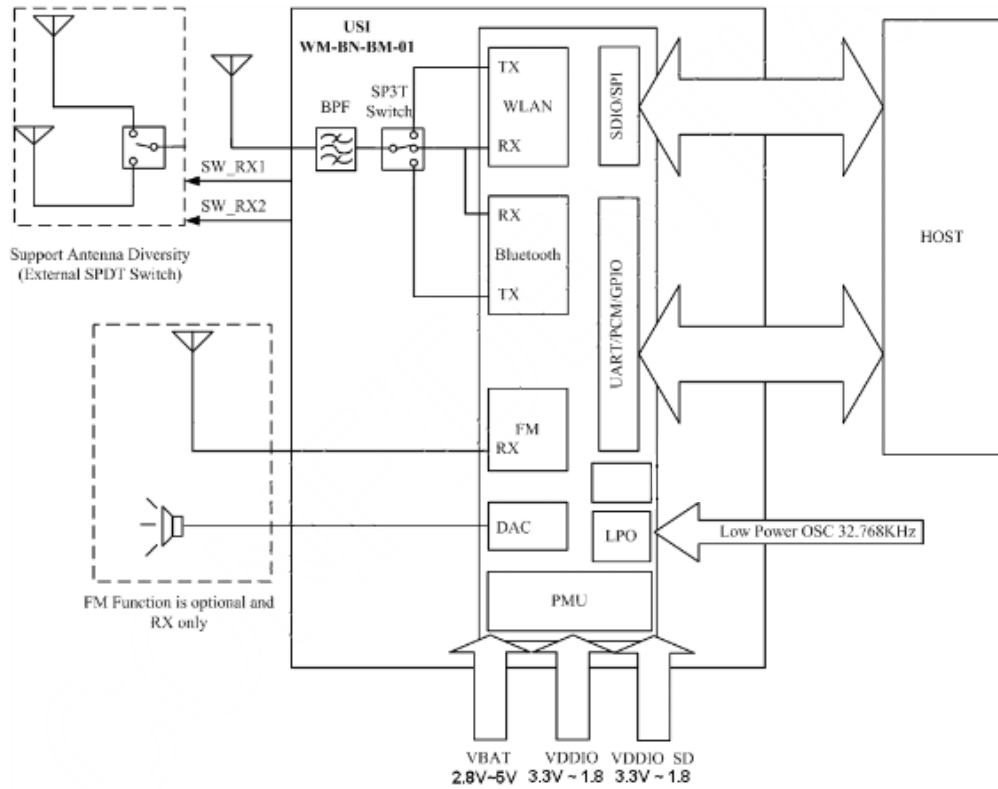


1. DDRII can be used 2 PCS 64Mx16bit, 2 PCS 128Mx16bit, 4 PCS 128Mx8bit, 8 PCS 256Mx4bit. Recommend 2 PCS 64Mx16bit.
2. Many NAND types are available (TSOP-48 or LGA52 package). Can be used two NANDs (4 CE total) and 1 PCS I-NAND (SDIO interface).
3. USB 2.0. USB_A is a OTG type. USB_B is USB_Host only.



Title		AML8726-M_MID	
Size	Document Number	Rev	
B	Block	V0.5	
Date:	Wednesday, June 08, 2011	Sheet	1 of 10

Block diagram RF part (SIP module: USI model WM-BN-BM-01):



Module uses Broadcom 4329 module shown below: SINGLE-CHIP 802.11n/BLUETOOTH®/FM (Rx AND Tx)

