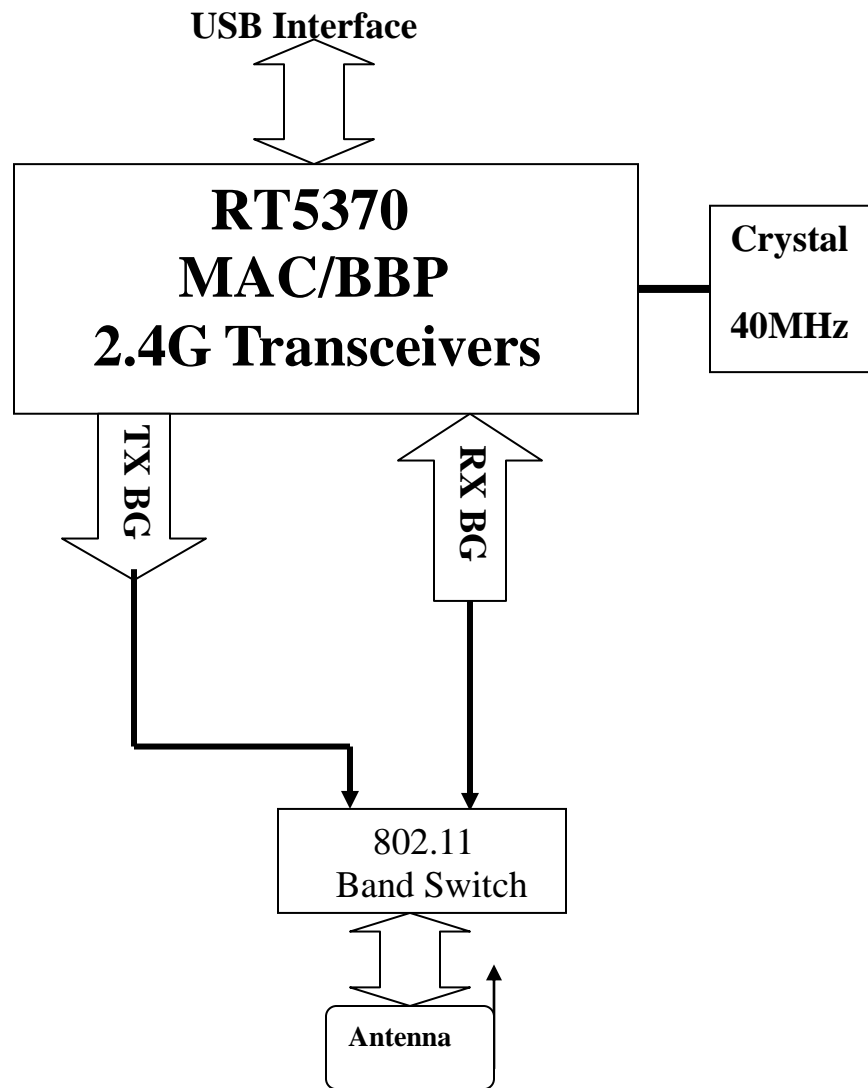


Block Diagram



Operation: The EUT is a Wireless 150M wireless usb adapter. This device is backward compatible with 802.11n and 802.11b/g standards. It uses the powerful MIMO(Multiple-In, Multiple-Out) technology which has further coverage, less dead spots and higher throughput. In addition, it supports higher data throughput than the IEEE802.11g standard (up to 150Mbps). It allows your computer to connect to a wireless network and to share resources, such as files or printers without being bound to the network wires. Operation in 2.4GHz Direct Sequence Spread Spectrum (DSSS) radio transmission, the Wireless usb adapter Wired Equivalent Protection (WEP) algorithm is used. In addition, its standard compliance ensures that it can communicate with any IEEE 802.11b and IEEE 802.11g network.