
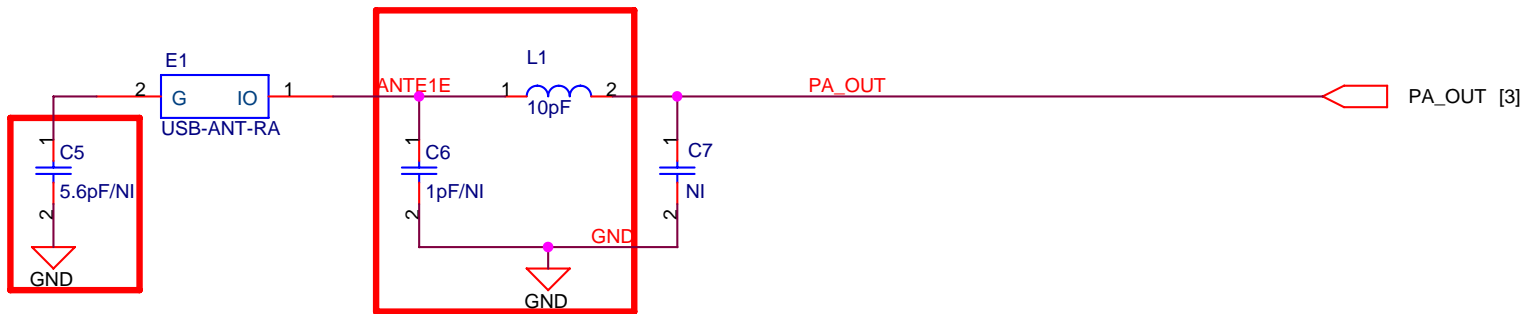

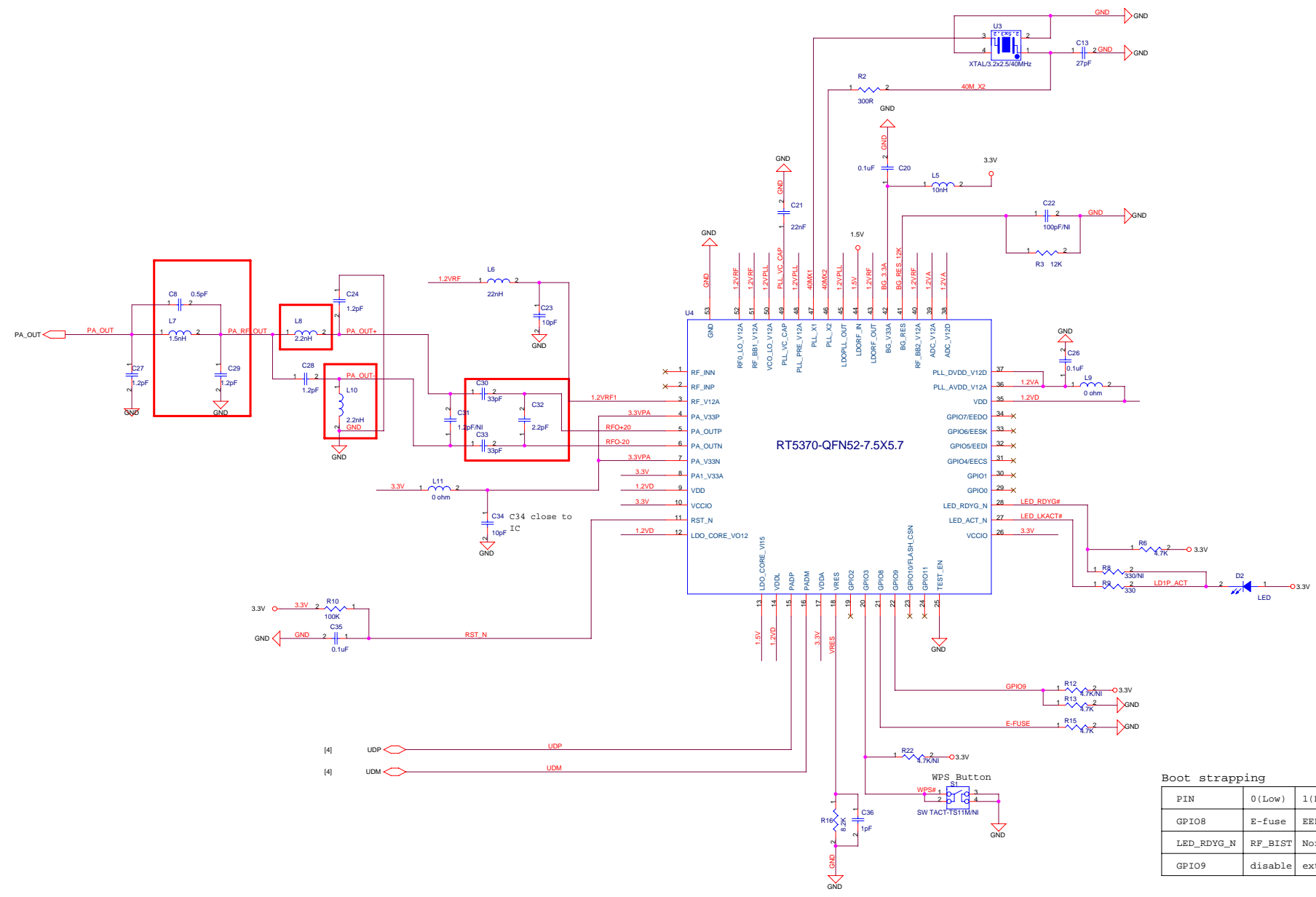


Filename:
PEN-RT5370-V20-11X25-100628.DSN

		RALINK TECHNOLOGY, CORP.	
		Title 2.4G USB Card - RT5370	
Size B	Document Number PEN-RT5370-V20.SCH		Rev 2.0
Date: Wednesday, June 30, 2010		Sheet 1 of 5	

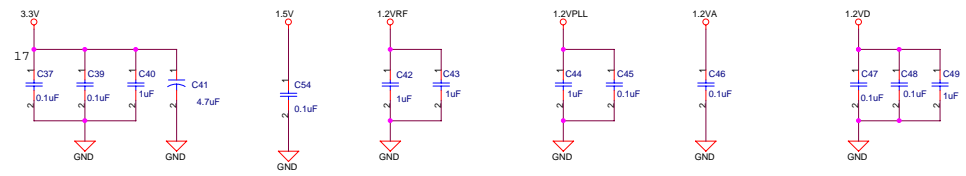


	RALINK TECHNOLOGY, CORP.		
	Title Front-End		
	Size A	Document Number 2-FrontEnd.SCH	Rev 2.0
	Date: Wednesday, June 30, 2010	Sheet 2	of 5



Boot strapping

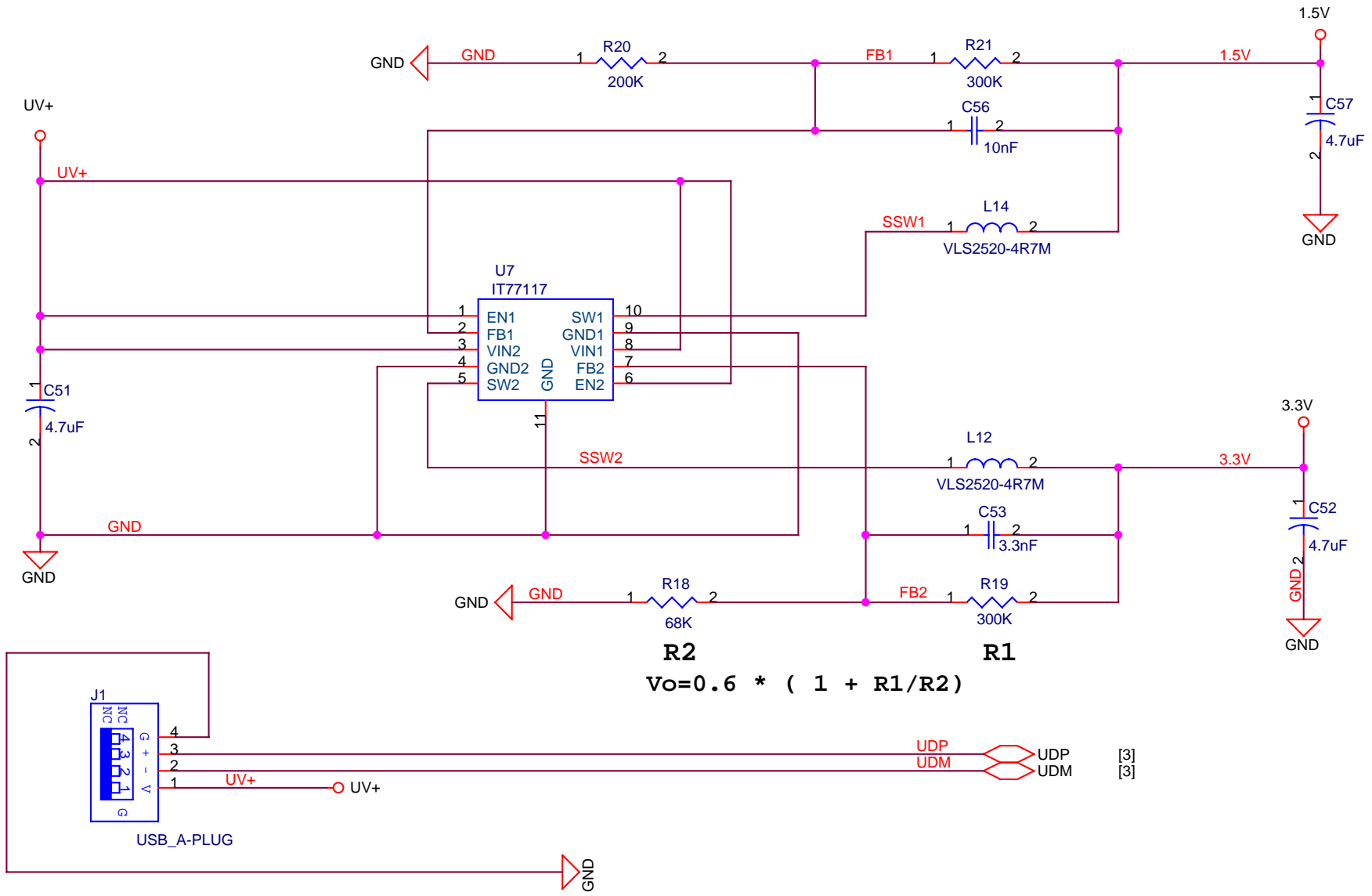
PIN	0 (Low)	1 (High)
GPIO8	E-fuse	EEPROM
LED_RDYG_N	RF_BIST	Normal
GPIO9	disable	ext_pm_mode



Ralink Technology, Corp.

Ralink


File	RT5370-WLAN	
Size	Document Number	Rev
C	3-RT5370-WLAN.SCH	2.0
Date	Wednesday, June 30, 2010	Sheet 3 of 5



R2 **R1**

$$V_o = 0.6 * (1 + R1/R2)$$

UDP [3]
UDM [3]

		RALINK TECHNOLOGY, CORP.	
		Title PEN USB Interface and Power	
Size A	Document Number 4-USB-A.SCH	Rev 2.0	
Date: Friday, May 07, 2010	Sheet 4	of 5	

