

SAR Plots

- Verification Plots
- SAR Test Plots

DT&C Co., Ltd.

DUT: Dipole 2450 MHz; Type: D2450V2; Serial: D2450V2 - SN:920

Communication System: UID 0, CW (0); Frequency: 2450 MHz; Duty Cycle: 1:1
Medium parameters used: $f = 2450$ MHz; $\sigma = 1.845$ S/m; $\epsilon_r = 39.956$; $\rho = 1000$ kg/m³
Phantom section: Flat Section

DASY5 Configuration:

Probe: ES3DV3 - SN3327; ConvF(4.56, 4.56, 4.56); Calibrated: 8/28/2018; Electronics: DAE4 Sn1335
Sensor-Surface: 2mm (Mechanical Surface Detection)
Phantom: SAM with CRP_2016_07_22_middle; Type: QD000P40CD; Serial: TP:1786
Measurement SW: DASY52, Version 52.8 (8); SEMCAD X Version 14.6.10 (7331)

Test Date: 2019-02-19; Ambient Temp: 20.1; Tissue Temp: 20.9

2450 MHz System Head Verification (100mW)

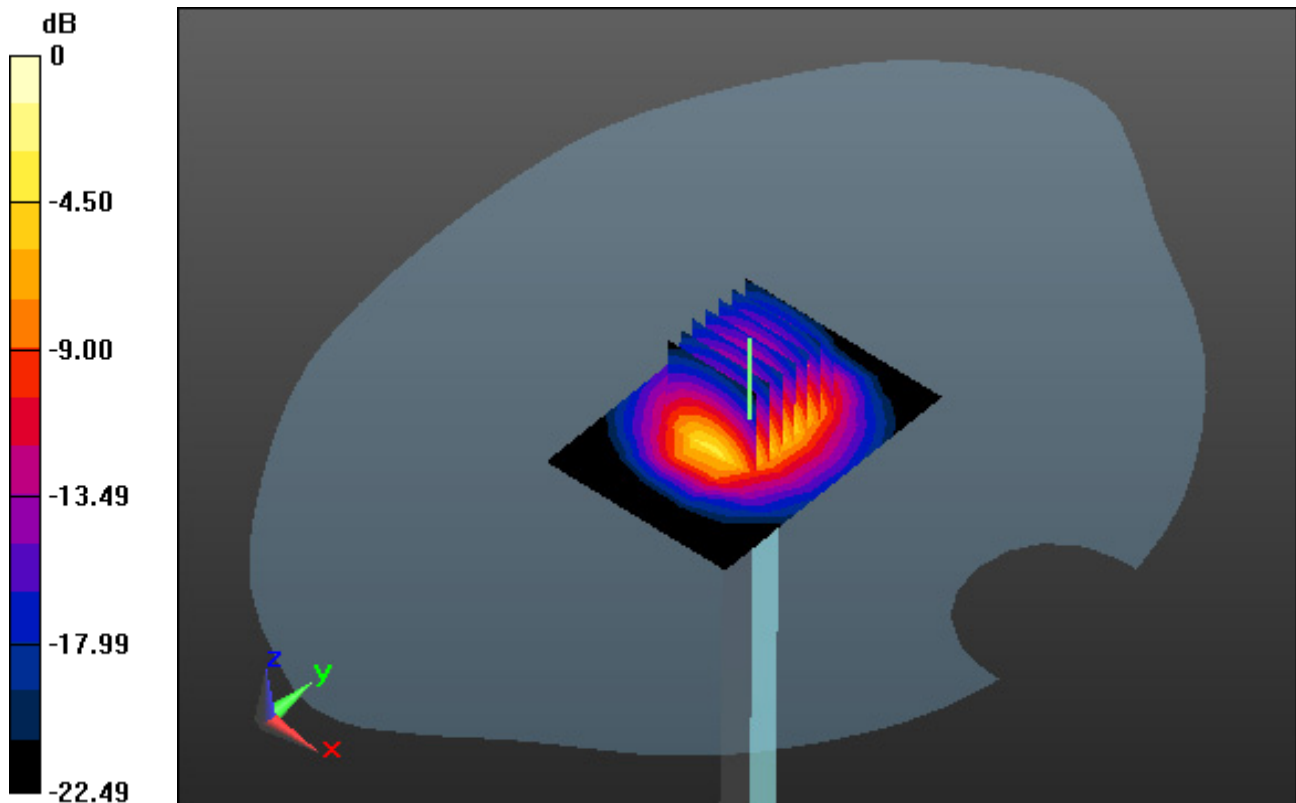
Area Scan (6x8x1): Measurement grid: dx=12mm, dy=12mm

Zoom Scan (7x7x7)/Cube 0: Measurement grid: dx=5mm, dy=5mm, dz=5mm

Power Drift = 0.04 dB

Peak SAR (extrapolated) = 8.99 W/kg

SAR(1 g) = 4.85 W/kg; SAR(10 g) = 2.33 W/kg



0 dB = 6.02 W/kg

DT&C Co., Ltd.

DUT: Dipole 2450 MHz; Type: D2450V2; Serial: D2450V2 - SN:920

Communication System: UID 0, CW (0); Frequency: 2450 MHz; Duty Cycle: 1:1
Medium parameters used: $f = 2450$ MHz; $\sigma = 1.941$ S/m; $\epsilon_r = 51.895$; $\rho = 1000$ kg/m³
Phantom section: Flat Section

DASY5 Configuration:

Probe: ES3DV3 - SN3327; ConvF(4.5, 4.5, 4.5); Calibrated: 8/28/2018; Electronics: DAE4 Sn1335
Sensor-Surface: 2mm (Mechanical Surface Detection)
Phantom: SAM with CRP_2016_07_22_middle; Type: QD000P40CD; Serial: TP:1786
Measurement SW: DASY52, Version 52.8 (8); SEMCAD X Version 14.6.10 (7331)

Test Date: 2019-02-19; Ambient Temp: 20.1; Tissue Temp: 20.8

2450 MHz System Body Verification (100mW)

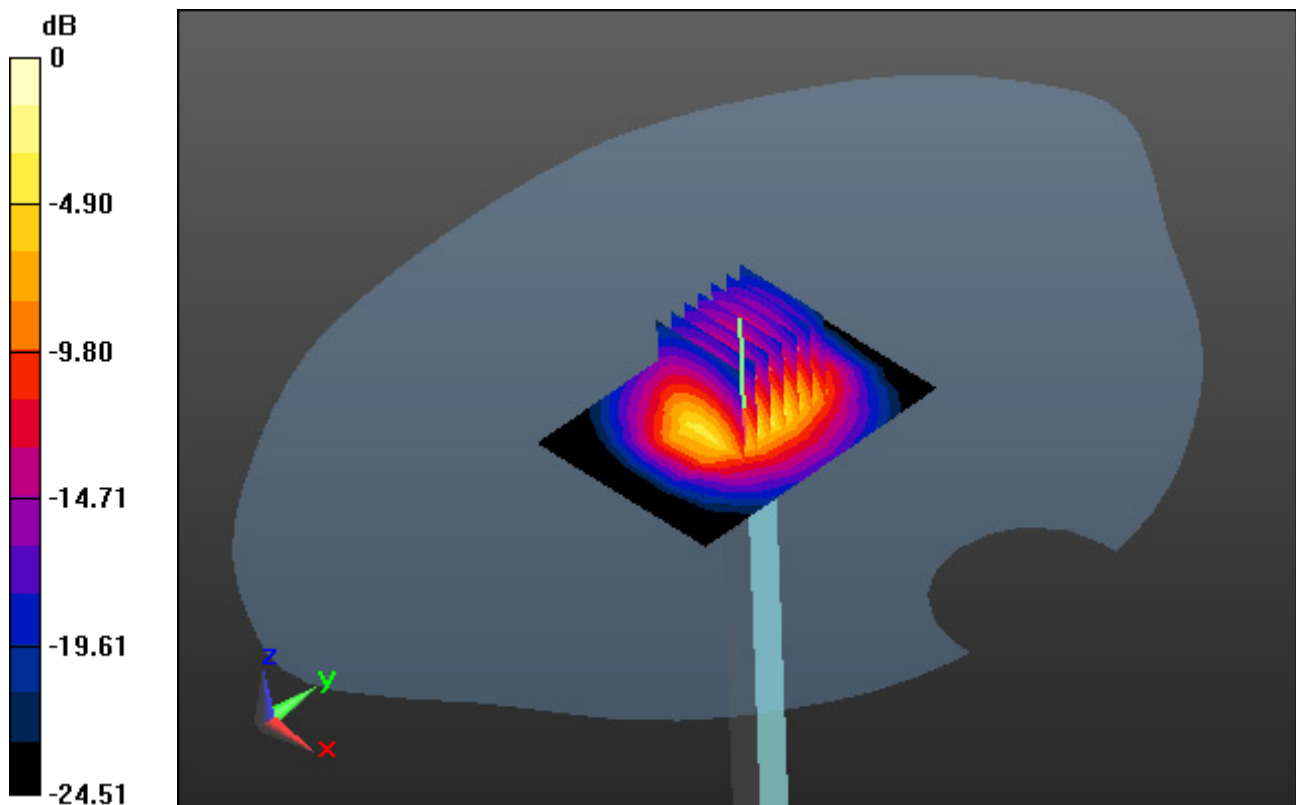
Area Scan (6x8x1): Measurement grid: dx=12mm, dy=12mm

Zoom Scan (7x7x7)/Cube 0: Measurement grid: dx=5mm, dy=5mm, dz=5mm

Power Drift = 0.06 dB

Peak SAR (extrapolated) = 9.13 W/kg

SAR(1 g) = 4.92 W/kg; SAR(10 g) = 2.3 W/kg



0 dB = 6.14 W/kg

DT&C Co., Ltd.

DUT: Dipole 5000 MHz; Type: D5GHzV2; Serial: D5GHzV2 - SN:1212

Communication System: UID 0, CW (0); Frequency: 5300 MHz; Duty Cycle: 1:1
Medium parameters used: $f = 5300$ MHz; $\sigma = 4.747$ S/m; $\epsilon_r = 36.353$; $\rho = 1000$ kg/m³
Phantom section: Flat Section

DASY5 Configuration:

Probe: EX3DV4 - SN3866; ConvF(4.95, 4.95, 4.95); Calibrated: 5/31/2018; Electronics: DAE4 Sn1391
Sensor-Surface: 1.4mm (Mechanical Surface Detection)
Phantom: SAM with CRP_2016_07_22_middle; Type: QD000P40CD; Serial: TP:1786
Measurement SW: DASY52, Version 52.8 (8); SEMCAD X Version 14.6.10 (7331)

Test Date: 2019-02-04; Ambient Temp: 20.3; Tissue Temp: 21.1

5300 MHz System Head Verification (100mW)

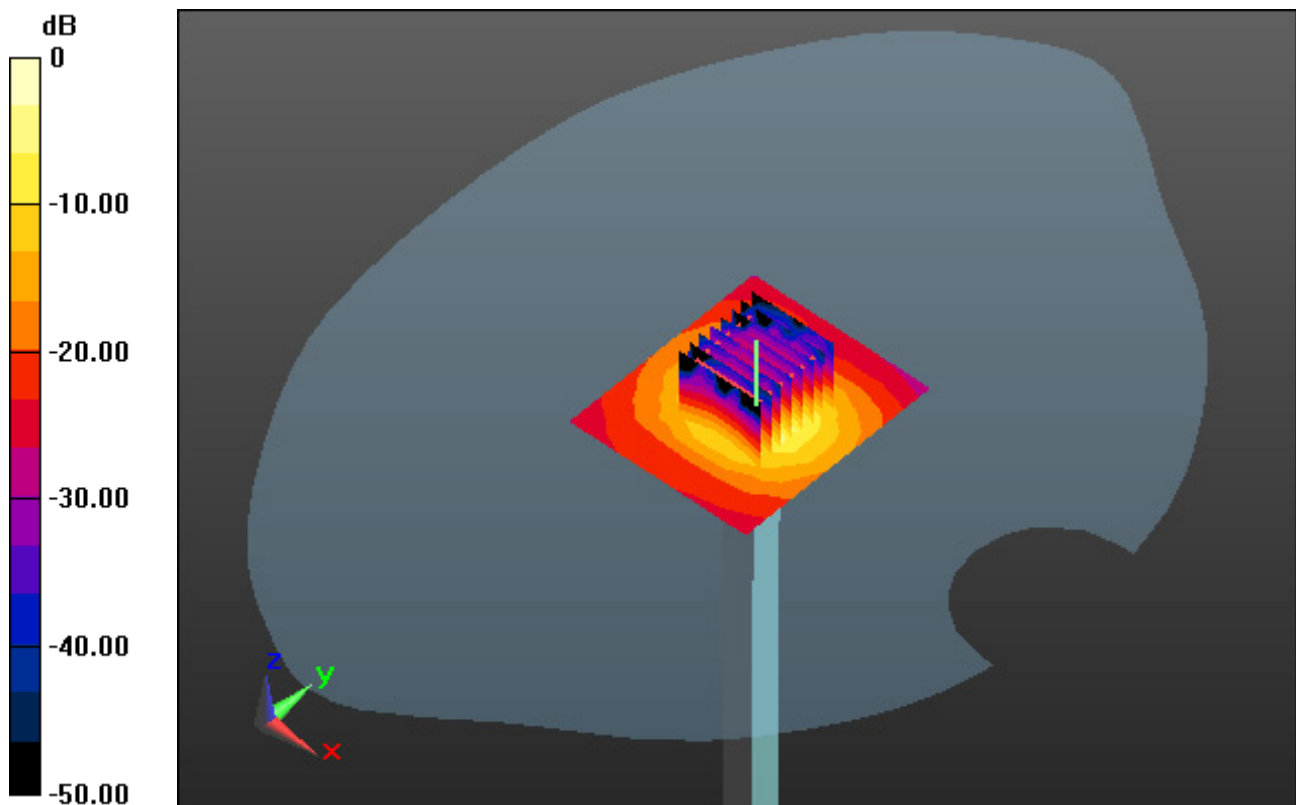
Area Scan (7x8x1): Measurement grid: dx=10mm, dy=10mm

Zoom Scan (8x8x7)/Cube 0: Measurement grid: dx=4mm, dy=4mm, dz=1.4mm, Graded Ratio: 1.4

Power Drift = -0.16 dB

Peak SAR (extrapolated) = 39.3 W/kg

SAR(1 g) = 8.22 W/kg; SAR(10 g) = 2.34 W/kg



0 dB = 17.4 W/kg

DT&C Co., Ltd.

DUT: Dipole 5000 MHz; Type: D5GHzV2; Serial: D5GHzV2 - SN:1212

Communication System: UID 0, CW (0); Frequency: 5300 MHz; Duty Cycle: 1:1
Medium parameters used: $f = 5300$ MHz; $\sigma = 5.622$ S/m; $\epsilon_r = 49.689$; $\rho = 1000$ kg/m³
Phantom section: Flat Section

DASY5 Configuration:

Probe: EX3DV4 - SN3866; ConvF(4.5, 4.5, 4.5); Calibrated: 5/31/2018; Electronics: DAE4 Sn1391
Sensor-Surface: 1.4mm (Mechanical Surface Detection)
Phantom: SAM with CRP_2016_07_22_middle; Type: QD000P40CD; Serial: TP:1786
Measurement SW: DASY52, Version 52.8 (8); SEMCAD X Version 14.6.10 (7331)

Test Date: 2019-02-04; Ambient Temp: 20.3; Tissue Temp: 21.0

5300 MHz System Body Verification (100mW)

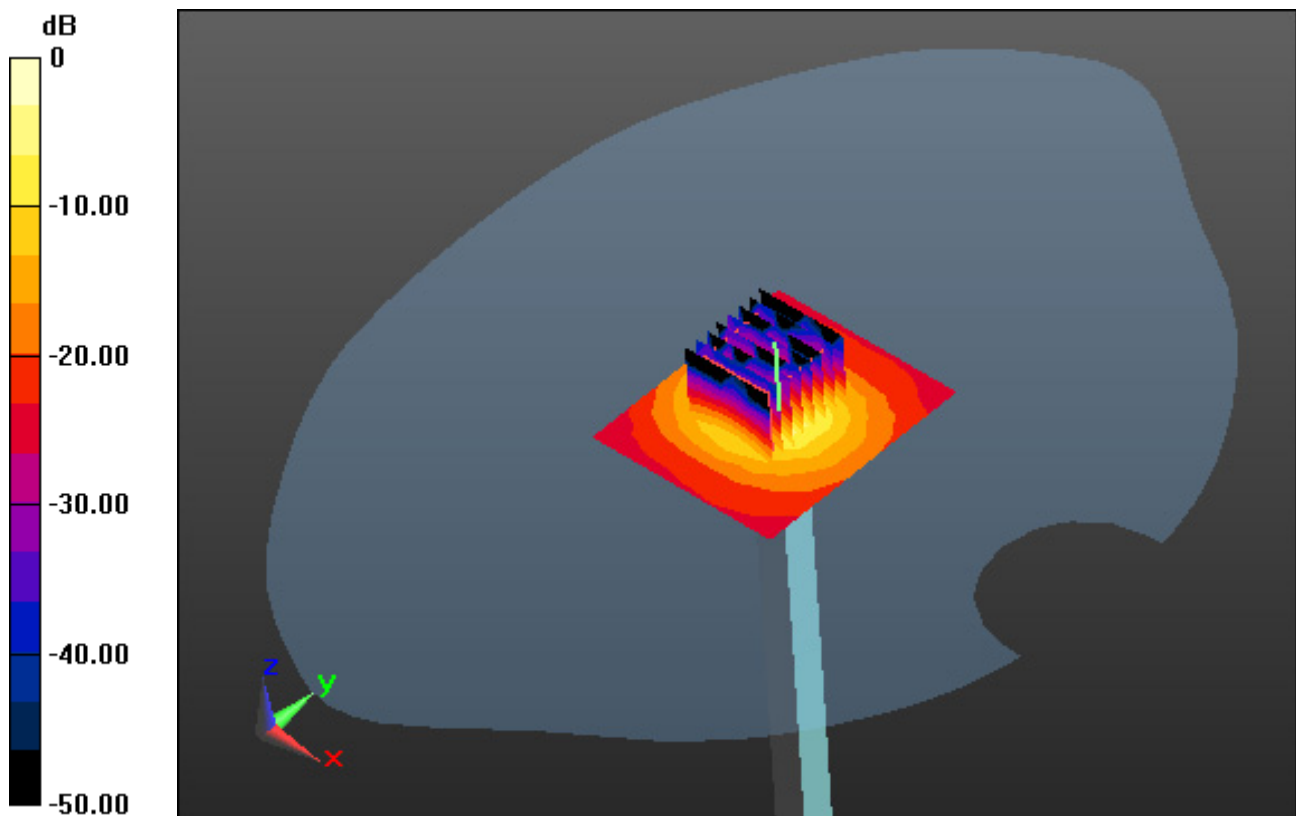
Area Scan (7x8x1): Measurement grid: dx=10mm, dy=10mm

Zoom Scan (8x8x7)/Cube 0: Measurement grid: dx=4mm, dy=4mm, dz=1.4mm, Graded Ratio: 1.4

Power Drift = 0.06 dB

Peak SAR (extrapolated) = 34.0 W/kg

SAR(1 g) = 7.92 W/kg; SAR(10 g) = 2.17 W/kg



0 dB = 16.1 W/kg

DT&C Co., Ltd.

DUT: Dipole 5000 MHz; Type: D5GHzV2; Serial: D5GHzV2 - SN:1212

Communication System: UID 0, CW (0); Frequency: 5600 MHz; Duty Cycle: 1:1
Medium parameters used: $f = 5600$ MHz; $\sigma = 5.056$ S/m; $\epsilon_r = 35.841$; $\rho = 1000$ kg/m³
Phantom section: Flat Section

DASY5 Configuration:

Probe: EX3DV4 - SN3866; ConvF(4.52, 4.52, 4.52); Calibrated: 5/31/2018; Electronics: DAE4 Sn1391
Sensor-Surface: 1.4mm (Mechanical Surface Detection)
Phantom: SAM with CRP_2016_07_22_middle; Type: QD000P40CD; Serial: TP:1786
Measurement SW: DASY52, Version 52.8 (8); SEMCAD X Version 14.6.10 (7331)

Test Date: 2019-02-05; Ambient Temp: 20.1; Tissue Temp: 20.8

5600 MHz System Head Verification (100mW)

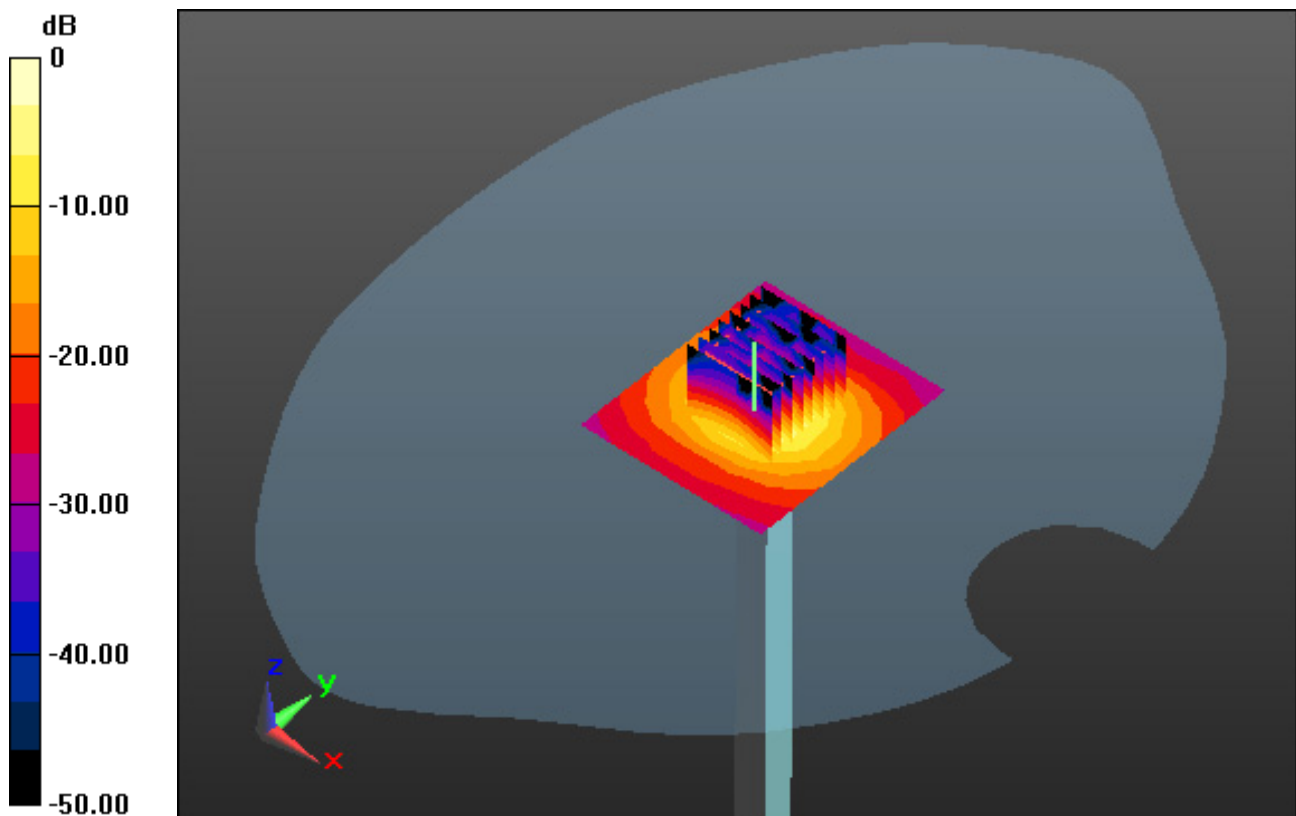
Area Scan (7x8x1): Measurement grid: dx=10mm, dy=10mm

Zoom Scan (8x8x7)/Cube 0: Measurement grid: dx=4mm, dy=4mm, dz=1.4mm, Graded Ratio: 1.4

Power Drift = -0.01 dB

Peak SAR (extrapolated) = 42.4 W/kg

SAR(1 g) = 7.99 W/kg; SAR(10 g) = 2.25 W/kg



0 dB = 15.9 W/kg

DT&C Co., Ltd.

DUT: Dipole 5000 MHz; Type: D5GHzV2; Serial: D5GHzV2 - SN:1212

Communication System: UID 0, CW (0); Frequency: 5600 MHz; Duty Cycle: 1:1
Medium parameters used: $f = 5600$ MHz; $\sigma = 5.854$ S/m; $\epsilon_r = 47.14$; $\rho = 1000$ kg/m³
Phantom section: Flat Section

DASY5 Configuration:

Probe: EX3DV4 - SN3866; ConvF(3.87, 3.87, 3.87); Calibrated: 5/31/2018; Electronics: DAE4 Sn1391
Sensor-Surface: 1.4mm (Mechanical Surface Detection)
Phantom: SAM with CRP_2016_07_22_middle; Type: QD000P40CD; Serial: TP:1786
Measurement SW: DASY52, Version 52.8 (8); SEMCAD X Version 14.6.10 (7331)

Test Date: 2019-02-05; Ambient Temp: 20.1; Tissue Temp: 21.0

5600 MHz System Body Verification (100mW)

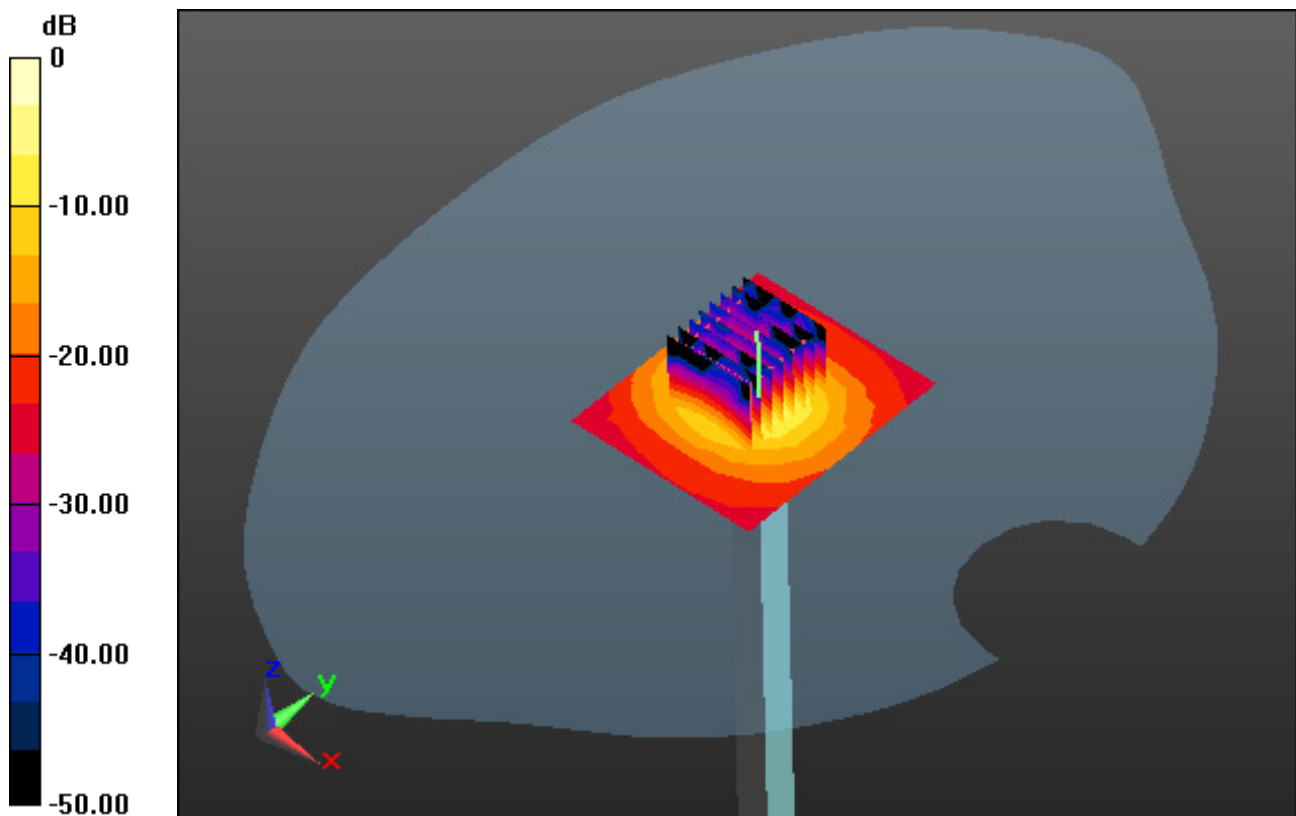
Area Scan (7x8x1): Measurement grid: dx=10mm, dy=10mm

Zoom Scan (8x8x7)/Cube 0: Measurement grid: dx=4mm, dy=4mm, dz=1.4mm, Graded Ratio: 1.4

Power Drift = 0.07 dB

Peak SAR (extrapolated) = 42.9 W/kg

SAR(1 g) = 8.06 W/kg; SAR(10 g) = 2.21 W/kg



0 dB = 16.6 W/kg

DT&C Co., Ltd.

DUT: Dipole 5000 MHz; Type: D5GHzV2; Serial: D5GHzV2 - SN:1212

Communication System: UID 0, CW (0); Frequency: 5800 MHz; Duty Cycle: 1:1
Medium parameters used: $f = 5800$ MHz; $\sigma = 5.317$ S/m; $\epsilon_r = 35.638$; $\rho = 1000$ kg/m³
Phantom section: Flat Section

DASY5 Configuration:

Probe: EX3DV4 - SN3866; ConvF(4.69, 4.69, 4.69); Calibrated: 5/31/2018; Electronics: DAE4 Sn1391
Sensor-Surface: 1.4mm (Mechanical Surface Detection)
Phantom: SAM with CRP_2016_07_22_middle; Type: QD000P40CD; Serial: TP:1786
Measurement SW: DASY52, Version 52.8 (8); SEMCAD X Version 14.6.10 (7331)

Test Date: 2019-02-06; Ambient Temp: 20.2; Tissue Temp: 21.0

5800 MHz System Head Verification (100mW)

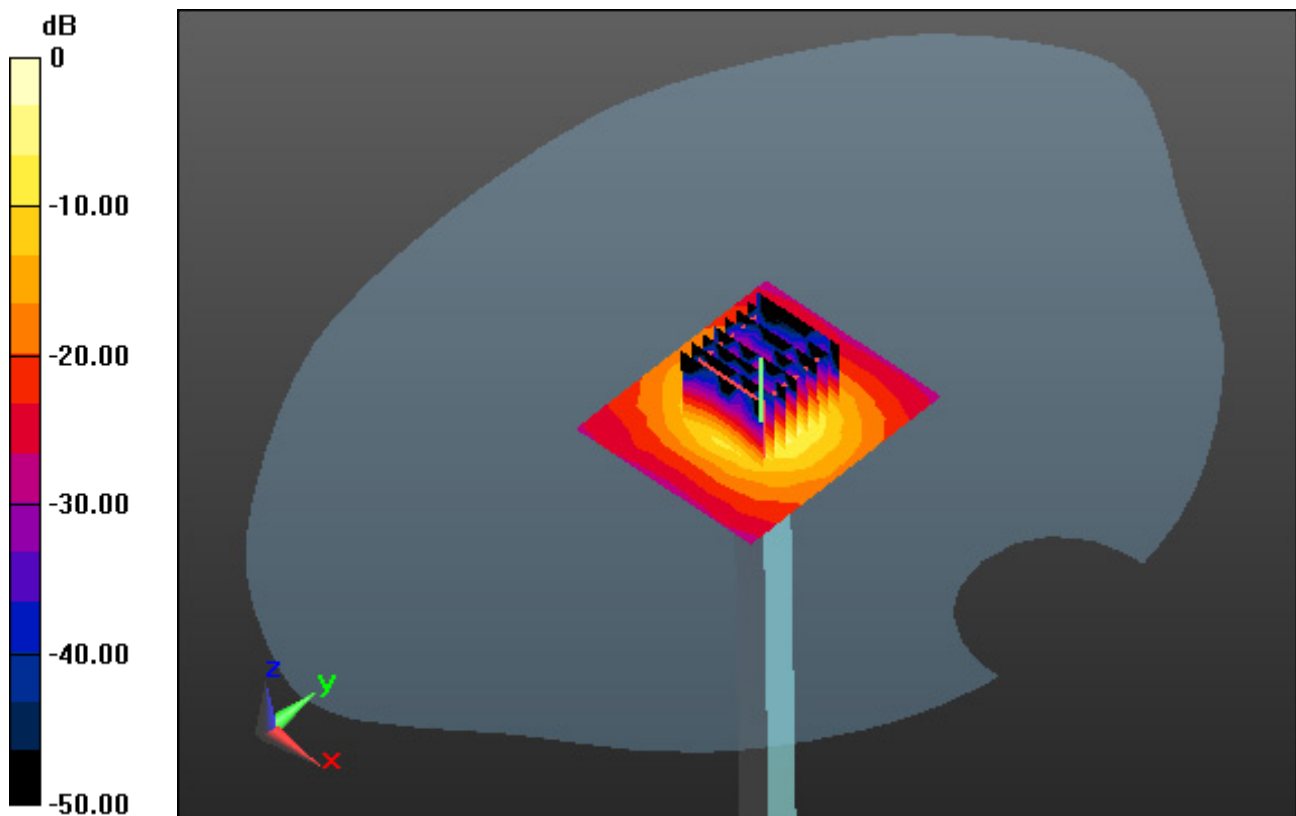
Area Scan (7x8x1): Measurement grid: dx=10mm, dy=10mm

Zoom Scan (8x8x7)/Cube 0: Measurement grid: dx=4mm, dy=4mm, dz=1.4mm, Graded Ratio: 1.4

Power Drift = -0.05 dB

Peak SAR (extrapolated) = 39.4 W/kg

SAR(1 g) = 7.61 W/kg; SAR(10 g) = 2.15 W/kg



0 dB = 15.3 W/kg

DT&C Co., Ltd.

DUT: Dipole 5000 MHz; Type: D5GHzV2; Serial: D5GHzV2 - SN:1212

Communication System: UID 0, CW (0); Frequency: 5800 MHz; Duty Cycle: 1:1
Medium parameters used: $f = 5800$ MHz; $\sigma = 6.067$ S/m; $\epsilon_r = 46.784$; $\rho = 1000$ kg/m³
Phantom section: Flat Section

DASY5 Configuration:

Probe: EX3DV4 - SN3866; ConvF(4.16, 4.16, 4.16); Calibrated: 5/31/2018; Electronics: DAE4 Sn1391
Sensor-Surface: 1.4mm (Mechanical Surface Detection)
Phantom: SAM with CRP_2016_07_22_middle; Type: QD000P40CD; Serial: TP:1786
Measurement SW: DASY52, Version 52.8 (8); SEMCAD X Version 14.6.10 (7331)

Test Date: 2019-02-06; Ambient Temp: 20.2; Tissue Temp: 20.9

5800 MHz System Body Verification (100mW)

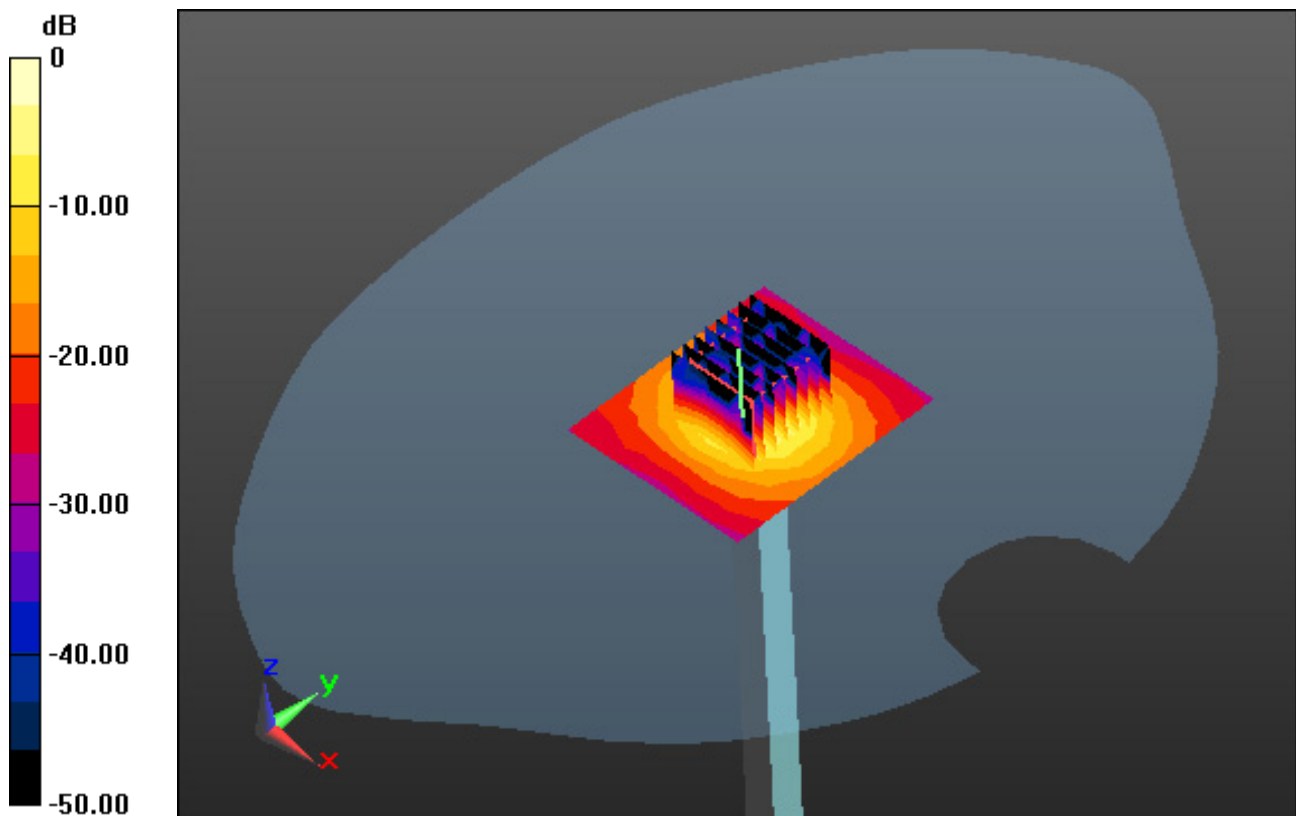
Area Scan (7x8x1): Measurement grid: dx=10mm, dy=10mm

Zoom Scan (8x8x7)/Cube 0: Measurement grid: dx=4mm, dy=4mm, dz=1.4mm, Graded Ratio: 1.4

Power Drift = -0.06 dB

Peak SAR (extrapolated) = 38.1 W/kg

SAR(1 g) = 7.21 W/kg; SAR(10 g) = 2.02 W/kg



0 dB = 15.3 W/kg

DT&C Co., Ltd.

DUT: PM85; Type: Bar

Communication System: UID 0, 2.4 GHz W-LAN (0); Frequency: 2462 MHz; Duty Cycle: 1:1
Medium parameters used: $f = 2462$ MHz; $\sigma = 1.861$ S/m; $\epsilon_r = 39.917$; $\rho = 1000$ kg/m³
Phantom section: Left Section

DASY5 Configuration:

Probe: ES3DV3 - SN3327; ConvF(4.56, 4.56, 4.56); Calibrated: 8/28/2018; Electronics: DAE4 Sn1335
Sensor-Surface: 3mm (Mechanical Surface Detection)
Phantom: SAM with CRP_2016_07_22_middle; Type: QD000P40CD; Serial: TP:1786
Measurement SW: DASY52, Version 52.8 (8); SEMCAD X Version 14.6.10 (7331)

Test Date: 2019-02-19; Ambient Temp: 20.1; Tissue Temp: 20.9

Left Touch, WLAN(802.11b) Ch. 11, Ant Internal, Standard Battery

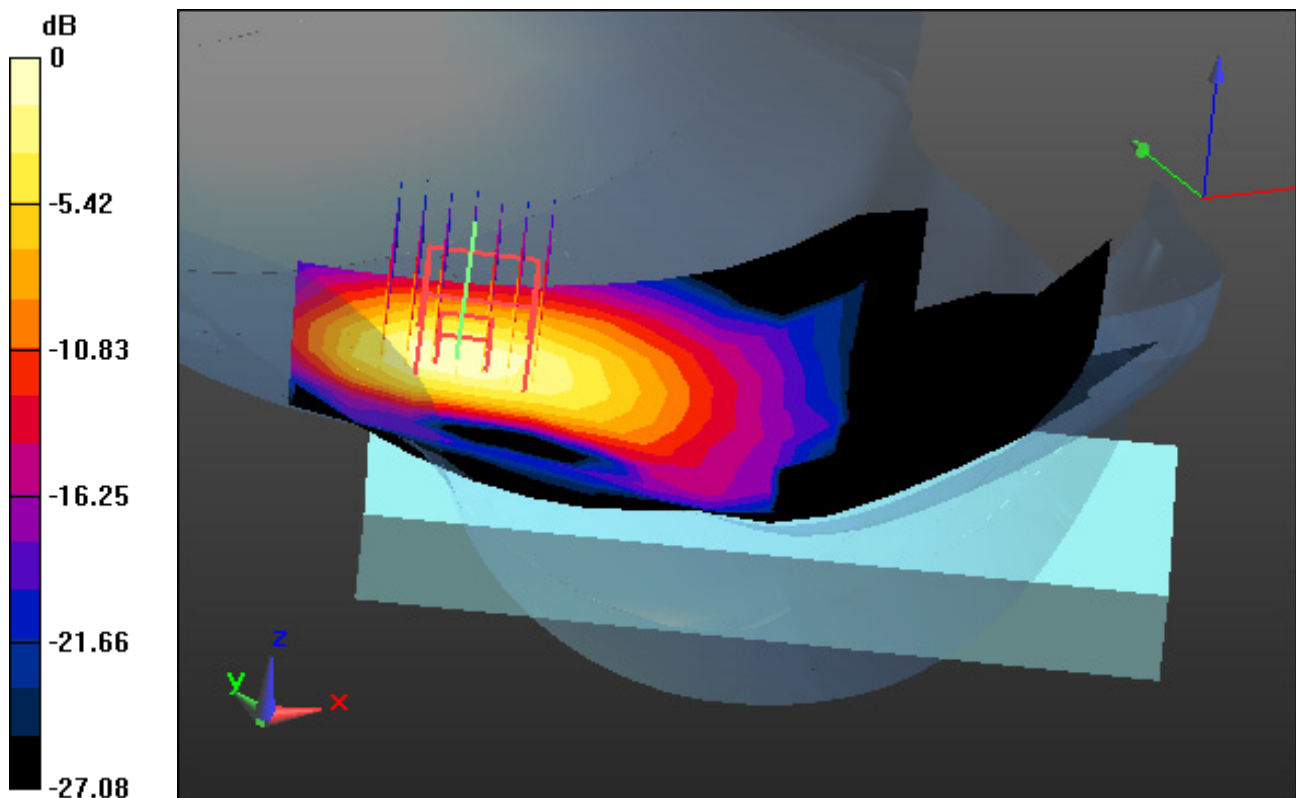
Area Scan (11x16x1): Measurement grid: dx=12mm, dy=12mm

Zoom Scan (7x7x7)/Cube 0: Measurement grid: dx=5mm, dy=5mm, dz=5mm

Power Drift = 0.01 dB

Peak SAR (extrapolated) = 1.13 W/kg

SAR(1 g) = 0.549 W/kg; SAR(10 g) = 0.262 W/kg



0 dB = 0.716 W/kg

DT&C Co., Ltd.

DUT: PM85; Type: Bar

Communication System: UID 0, W-LAN_5300 (0); Frequency: 5300 MHz; Duty Cycle: 1:1
Medium parameters used: $f = 5300$ MHz; $\sigma = 4.747$ S/m; $\epsilon_r = 36.353$; $\rho = 1000$ kg/m³
Phantom section: Right Section

DASY5 Configuration:

Probe: EX3DV4 - SN3866; ConvF(4.95, 4.95, 4.95); Calibrated: 5/31/2018; Electronics: DAE4 Sn1391
Sensor-Surface: 1.4mm (Mechanical Surface Detection)
Phantom: SAM with CRP_2016_07_22_middle; Type: QD000P40CD; Serial: TP:1786
Measurement SW: DASY52, Version 52.8 (8); SEMCAD X Version 14.6.10 (7331)

Test Date: 2019-02-04; Ambient Temp: 20.3; Tissue Temp: 21.1

Right Tilt, WLAN(802.11a) Ch. 60, Ant Internal, Standard Battery

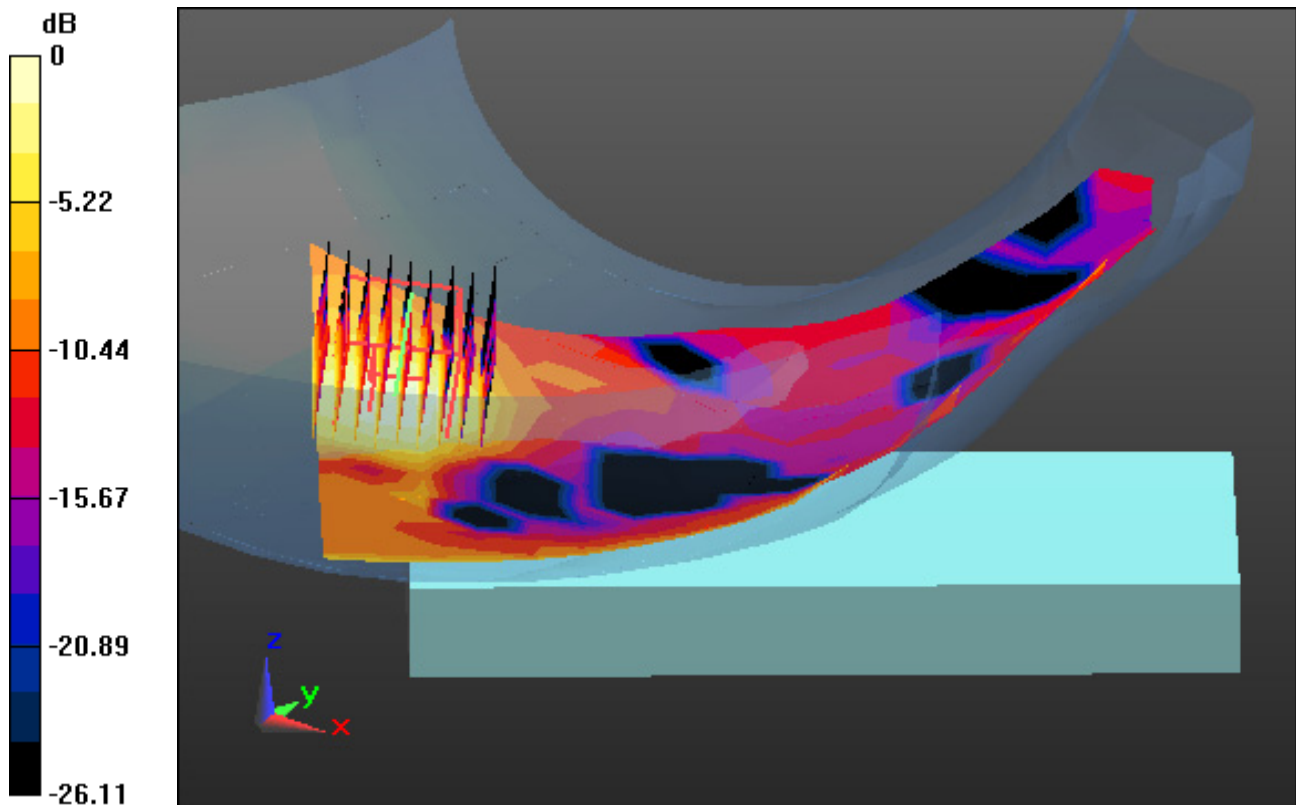
Area Scan (13x20x1): Measurement grid: dx=10mm, dy=10mm

Zoom Scan (9x9x7)/Cube 0: Measurement grid: dx=4mm, dy=4mm, dz=1.4mm, Graded Ratio: 1.4

Power Drift = 0.11 dB

Peak SAR (extrapolated) = 2.06 W/kg

SAR(1 g) = 0.461 W/kg; SAR(10 g) = 0.159 W/kg



0 dB = 1.09 W/kg

DT&C Co., Ltd.

DUT: PM85; Type: Bar

Communication System: UID 0, W-LAN_5600 (0); Frequency: 5700 MHz; Duty Cycle: 1:1
Medium parameters used: $f = 5700$ MHz; $\sigma = 5.195$ S/m; $\epsilon_r = 35.736$; $\rho = 1000$ kg/m³
Phantom section: Right Section

DASY5 Configuration:

Probe: EX3DV4 - SN3866; ConvF(4.52, 4.52, 4.52); Calibrated: 5/31/2018; Electronics: DAE4 Sn1391
Sensor-Surface: 1.4mm (Mechanical Surface Detection)
Phantom: SAM with CRP_2016_07_22_middle; Type: QD000P40CD; Serial: TP:1786
Measurement SW: DASY52, Version 52.8 (8); SEMCAD X Version 14.6.10 (7331)

Test Date: 2019-02-05; Ambient Temp: 20.1; Tissue Temp: 20.8

Right Tilt, WLAN(802.11a) Ch. 140, Ant Internal, Standard Battery

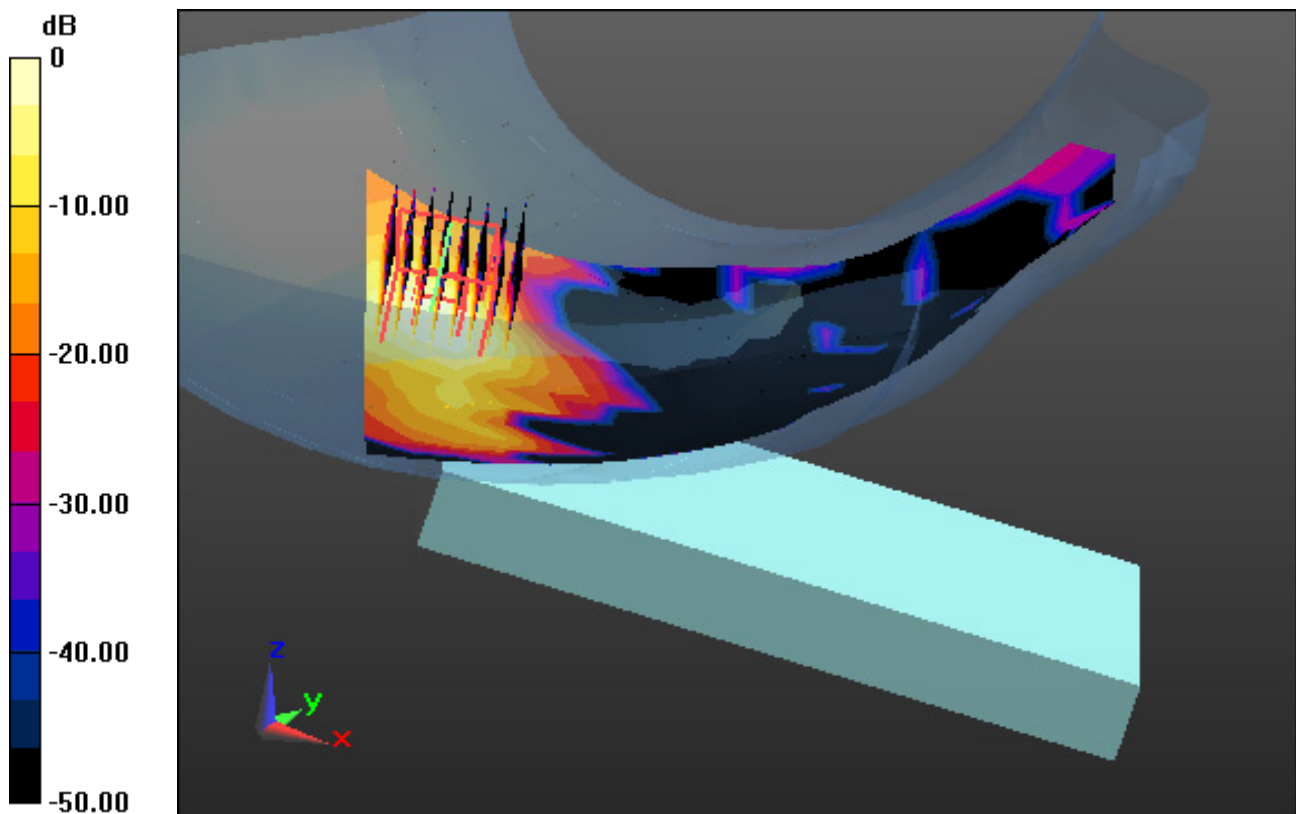
Area Scan (13x20x1): Measurement grid: dx=10mm, dy=10mm

Zoom Scan (8x8x7)/Cube 0: Measurement grid: dx=4mm, dy=4mm, dz=1.4mm, Graded Ratio: 1.4

Power Drift = 0.06 dB

Peak SAR (extrapolated) = 1.59 W/kg

SAR(1 g) = 0.453 W/kg; SAR(10 g) = 0.148 W/kg



0 dB = 1.04 W/kg

DT&C Co., Ltd.

DUT: PM85; Type: Bar

Communication System: UID 0, W-LAN_5800 (0); Frequency: 5745 MHz; Duty Cycle: 1:1
Medium parameters used: $f = 5745$ MHz; $\sigma = 5.221$ S/m; $\epsilon_r = 35.677$; $\rho = 1000$ kg/m³
Phantom section: Left Section

DASY5 Configuration:

Probe: EX3DV4 - SN3866; ConvF(4.69, 4.69, 4.69); Calibrated: 5/31/2018; Electronics: DAE4 Sn1391
Sensor-Surface: 1.4mm (Mechanical Surface Detection)
Phantom: SAM with CRP_2016_07_22_middle; Type: QD000P40CD; Serial: TP:1786
Measurement SW: DASY52, Version 52.8 (8); SEMCAD X Version 14.6.10 (7331)

Test Date: 2019-02-06; Ambient Temp: 20.2; Tissue Temp: 21.0

Left Touch, WLAN(802.11a) Ch. 149, Ant Internal, Standard Battery

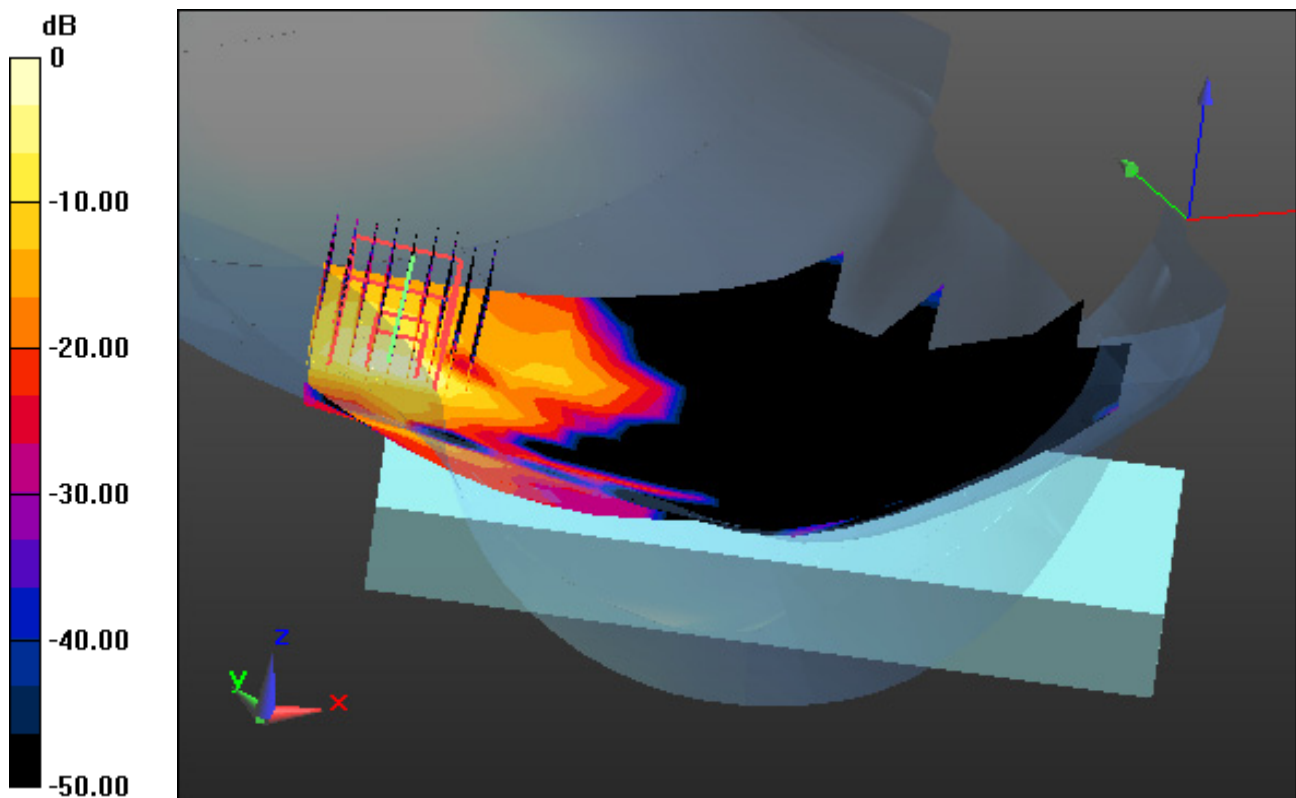
Area Scan (13x20x1): Measurement grid: dx=10mm, dy=10mm

Zoom Scan (9x9x7)/Cube 0: Measurement grid: dx=4mm, dy=4mm, dz=1.4mm, Graded Ratio: 1.4

Power Drift = -0.02 dB

Peak SAR (extrapolated) = 1.75 W/kg

SAR(1 g) = 0.419 W/kg; SAR(10 g) = 0.115 W/kg



0 dB = 1.05 W/kg

DT&C Co., Ltd.

DUT: PM85; Type: Bar

Communication System: UID 0, 2.4 GHz W-LAN (0); Frequency: 2462 MHz; Duty Cycle: 1:1
Medium parameters used: $f = 2462$ MHz; $\sigma = 1.957$ S/m; $\epsilon_r = 51.864$; $\rho = 1000$ kg/m³
Phantom section: Flat Section

DASY5 Configuration:

Probe: ES3DV3 - SN3327; ConvF(4.5, 4.5, 4.5); Calibrated: 8/28/2018; Electronics: DAE4 Sn1335
Sensor-Surface: 3mm (Mechanical Surface Detection)
Phantom: SAM with CRP_2016_07_22_middle; Type: QD000P40CD; Serial: TP:1786
Measurement SW: DASY52, Version 52.8 (8); SEMCAD X Version 14.6.10 (7331)

Test Date: 2019-02-19; Ambient Temp: 20.1; Tissue Temp: 20.8

1 cm space from Body, Front, WLAN(802.11b) Ch. 11, Ant Internal

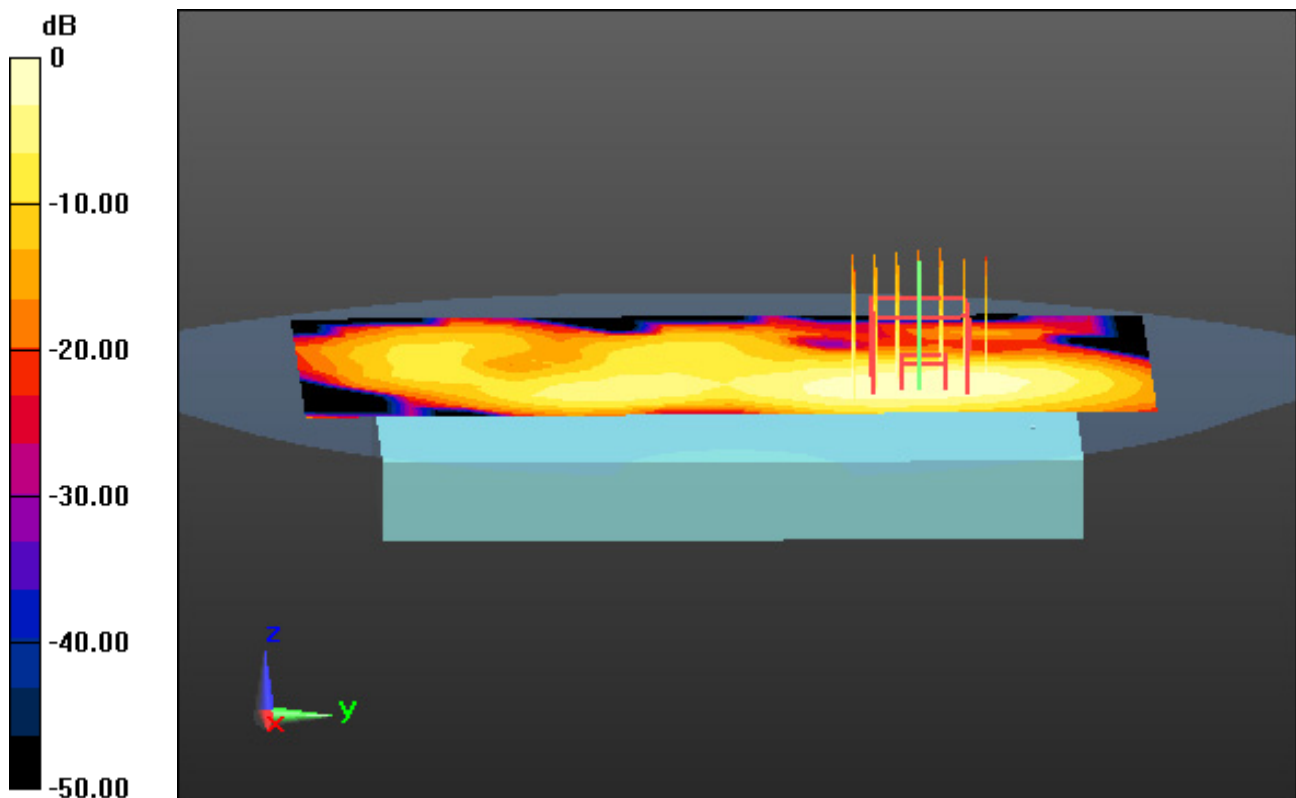
Area Scan (11x17x1): Measurement grid: dx=12mm, dy=12mm

Zoom Scan (7x7x7)/Cube 0: Measurement grid: dx=5mm, dy=5mm, dz=5mm

Power Drift = 0.02 dB

Peak SAR (extrapolated) = 0.142 W/kg

SAR(1 g) = 0.079 W/kg; SAR(10 g) = 0.045 W/kg



0 dB = 0.0972 W/kg

DT&C Co., Ltd.

DUT: PM85; Type: Bar

Communication System: UID 0, W-LAN_5300 (0); Frequency: 5300 MHz; Duty Cycle: 1:1
Medium parameters used: $f = 5300$ MHz; $\sigma = 5.622$ S/m; $\epsilon_r = 49.689$; $\rho = 1000$ kg/m³
Phantom section: Flat Section

DASY5 Configuration:

Probe: EX3DV4 - SN3866; ConvF(4.5, 4.5, 4.5); Calibrated: 5/31/2018; Electronics: DAE4 Sn1391
Sensor-Surface: 1.4mm (Mechanical Surface Detection)
Phantom: SAM with CRP_2016_07_22_middle; Type: QD000P40CD; Serial: TP:1786
Measurement SW: DASY52, Version 52.8 (8); SEMCAD X Version 14.6.10 (7331)

Test Date: 2019-02-04; Ambient Temp: 20.3; Tissue Temp: 21.0

1 cm space from Body, Rear, WLAN(802.11a) Ch. 60, Ant Internal

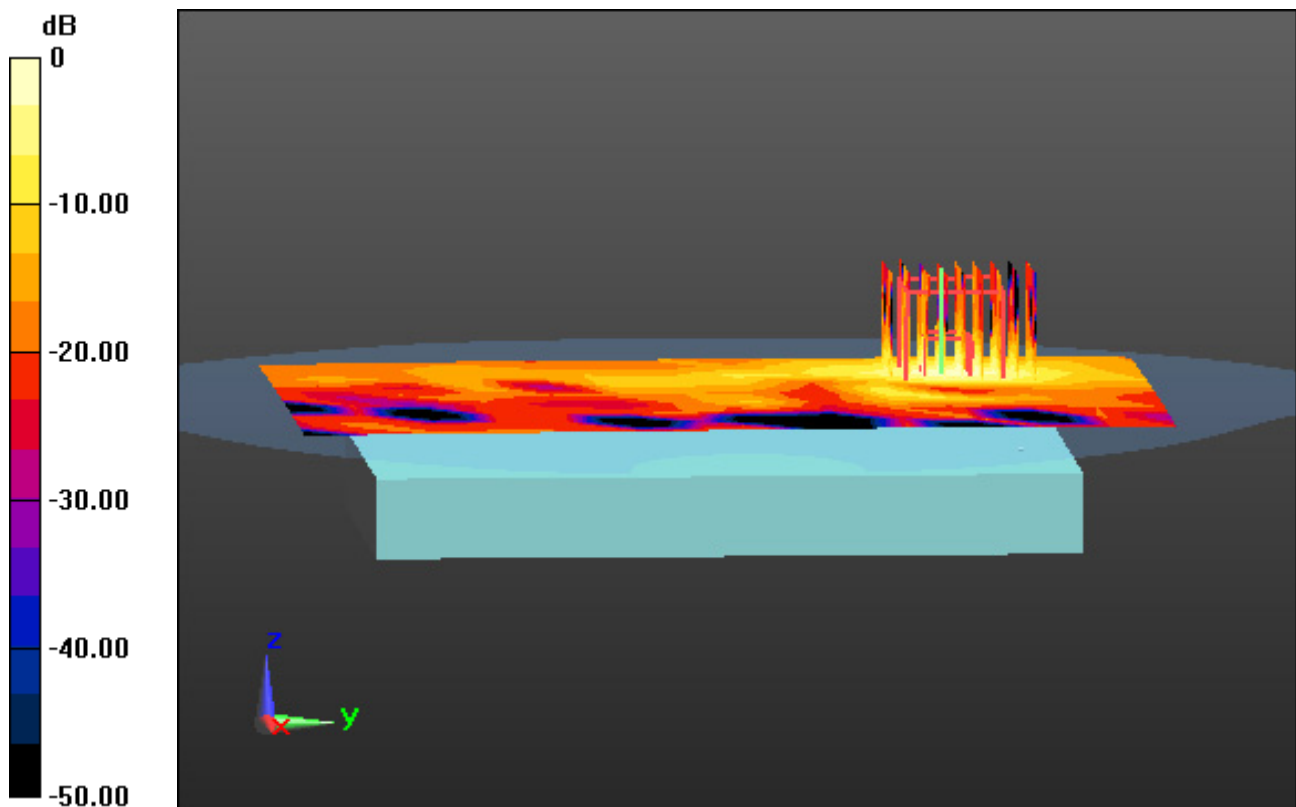
Area Scan (13x20x1): Measurement grid: dx=10mm, dy=10mm

Zoom Scan (8x9x7)/Cube 0: Measurement grid: dx=4mm, dy=4mm, dz=1.4mm, Graded Ratio: 1.4

Power Drift = 0.08 dB

Peak SAR (extrapolated) = 0.483 W/kg

SAR(1 g) = 0.133 W/kg; SAR(10 g) = 0.043 W/kg



0 dB = 0.298 W/kg

DT&C Co., Ltd.

DUT: PM85; Type: Bar

Communication System: UID 0, W-LAN_5600 (0); Frequency: 5700 MHz; Duty Cycle: 1:1
Medium parameters used: $f = 5700$ MHz; $\sigma = 5.998$ S/m; $\epsilon_r = 46.91$; $\rho = 1000$ kg/m³
Phantom section: Flat Section

DASY5 Configuration:

Probe: EX3DV4 - SN3866; ConvF(3.87, 3.87, 3.87); Calibrated: 5/31/2018; Electronics: DAE4 Sn1391
Sensor-Surface: 1.4mm (Mechanical Surface Detection)
Phantom: SAM with CRP_2016_07_22_middle; Type: QD000P40CD; Serial: TP:1786
Measurement SW: DASY52, Version 52.8 (8); SEMCAD X Version 14.6.10 (7331)

Test Date: 2019-02-05; Ambient Temp: 20.1; Tissue Temp: 21.0

1 cm space from Body, Rear, WLAN(802.11a) Ch. 140, Ant Internal

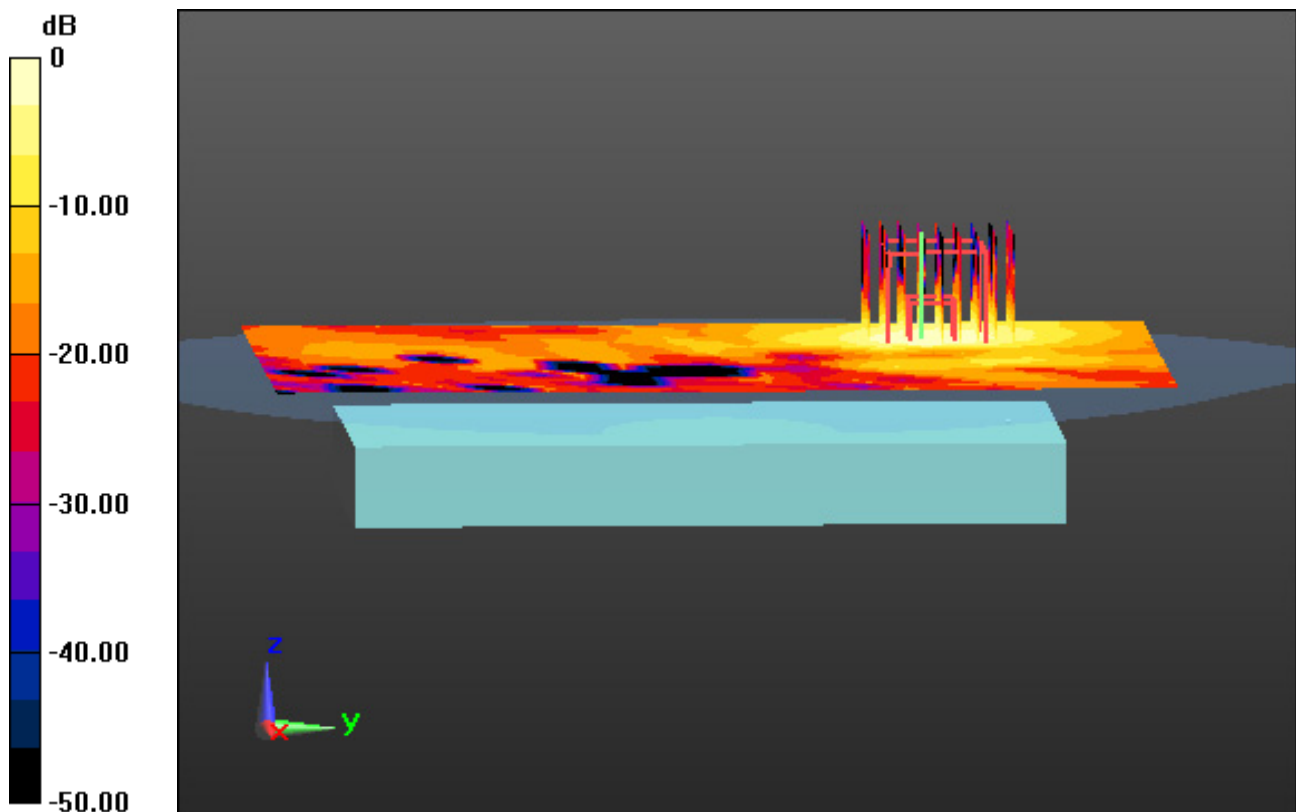
Area Scan (14x21x1): Measurement grid: dx=10mm, dy=10mm

Zoom Scan (9x9x7)/Cube 0: Measurement grid: dx=4mm, dy=4mm, dz=1.4mm, Graded Ratio: 1.4

Power Drift = -0.09 dB

Peak SAR (extrapolated) = 0.714 W/kg

SAR(1 g) = 0.177 W/kg; SAR(10 g) = 0.066 W/kg



0 dB = 0.421 W/kg

DT&C Co., Ltd.

DUT: PM85; Type: Bar

Communication System: UID 0, W-LAN_5800 (0); Frequency: 5745 MHz; Duty Cycle: 1:1
Medium parameters used: $f = 5745$ MHz; $\sigma = 5.989$ S/m; $\epsilon_r = 46.883$; $\rho = 1000$ kg/m³
Phantom section: Flat Section

DASY5 Configuration:

Probe: EX3DV4 - SN3866; ConvF(4.16, 4.16, 4.16); Calibrated: 5/31/2018; Electronics: DAE4 Sn1391
Sensor-Surface: 1.4mm (Mechanical Surface Detection)
Phantom: SAM with CRP_2016_07_22_middle; Type: QD000P40CD; Serial: TP:1786
Measurement SW: DASY52, Version 52.8 (8); SEMCAD X Version 14.6.10 (7331)

Test Date: 2019-02-06; Ambient Temp: 20.2; Tissue Temp: 20.9

1 cm space from Body, Rear, WLAN(802.11a) Ch. 149, Ant Internal

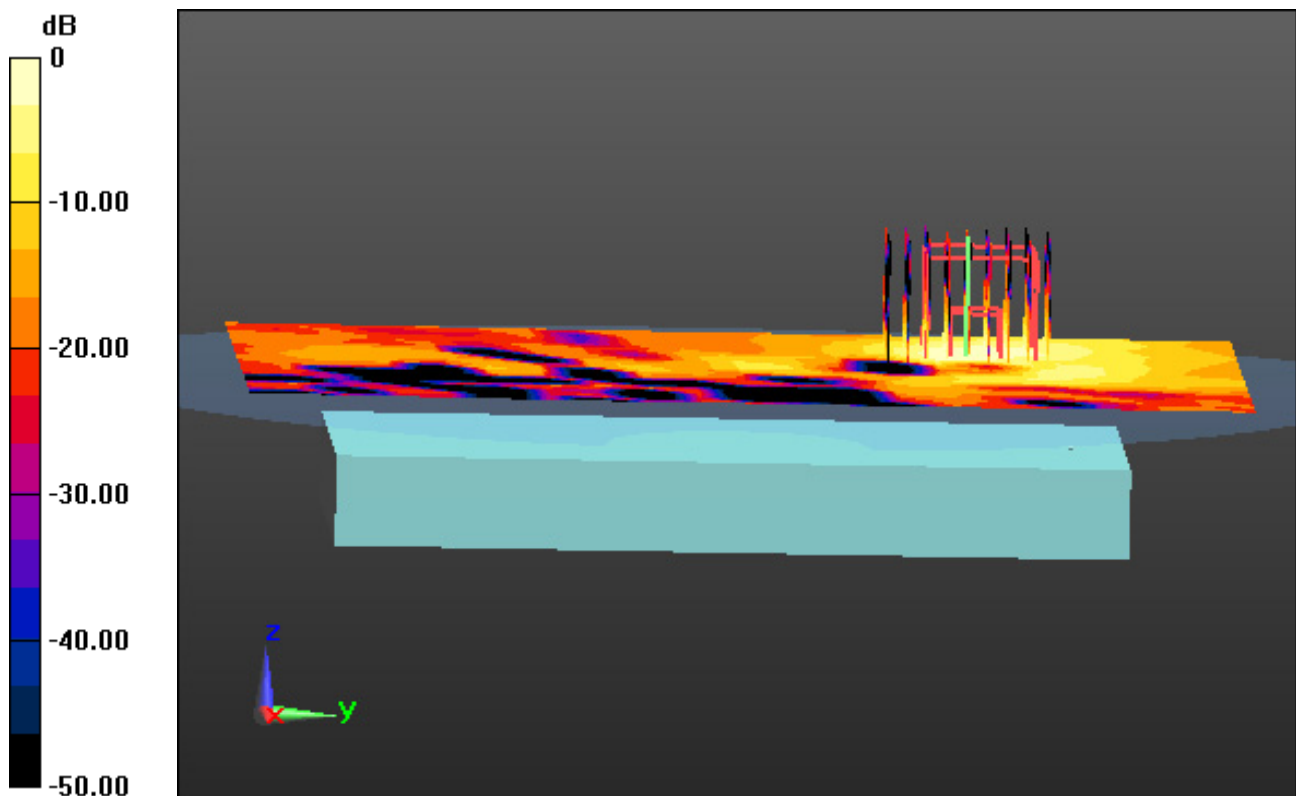
Area Scan (14x21x1): Measurement grid: dx=10mm, dy=10mm

Zoom Scan (9x9x7)/Cube 0: Measurement grid: dx=4mm, dy=4mm, dz=1.4mm, Graded Ratio: 1.4

Power Drift = -0.12 dB

Peak SAR (extrapolated) = 0.629 W/kg

SAR(1 g) = 0.181 W/kg; SAR(10 g) = 0.067 W/kg



0 dB = 0.418 W/kg

DT&C Co., Ltd.

DUT: PM85; Type: Bar

Communication System: UID 0, 2.4 GHz W-LAN (0); Frequency: 2462 MHz; Duty Cycle: 1:1
Medium parameters used: $f = 2462$ MHz; $\sigma = 1.957$ S/m; $\epsilon_r = 51.864$; $\rho = 1000$ kg/m³
Phantom section: Flat Section

DASY5 Configuration:

Probe: ES3DV3 - SN3327; ConvF(4.5, 4.5, 4.5); Calibrated: 8/28/2018; Electronics: DAE4 Sn1335
Sensor-Surface: 3mm (Mechanical Surface Detection)
Phantom: SAM with CRP_2016_07_22_middle; Type: QD000P40CD; Serial: TP:1786
Measurement SW: DASY52, Version 52.8 (8); SEMCAD X Version 14.6.10 (7331)

Test Date: 2019-02-19; Ambient Temp: 20.1; Tissue Temp: 20.8

Touch from Body, Front, WLAN(802.11b) Ch. 11, Ant Internal

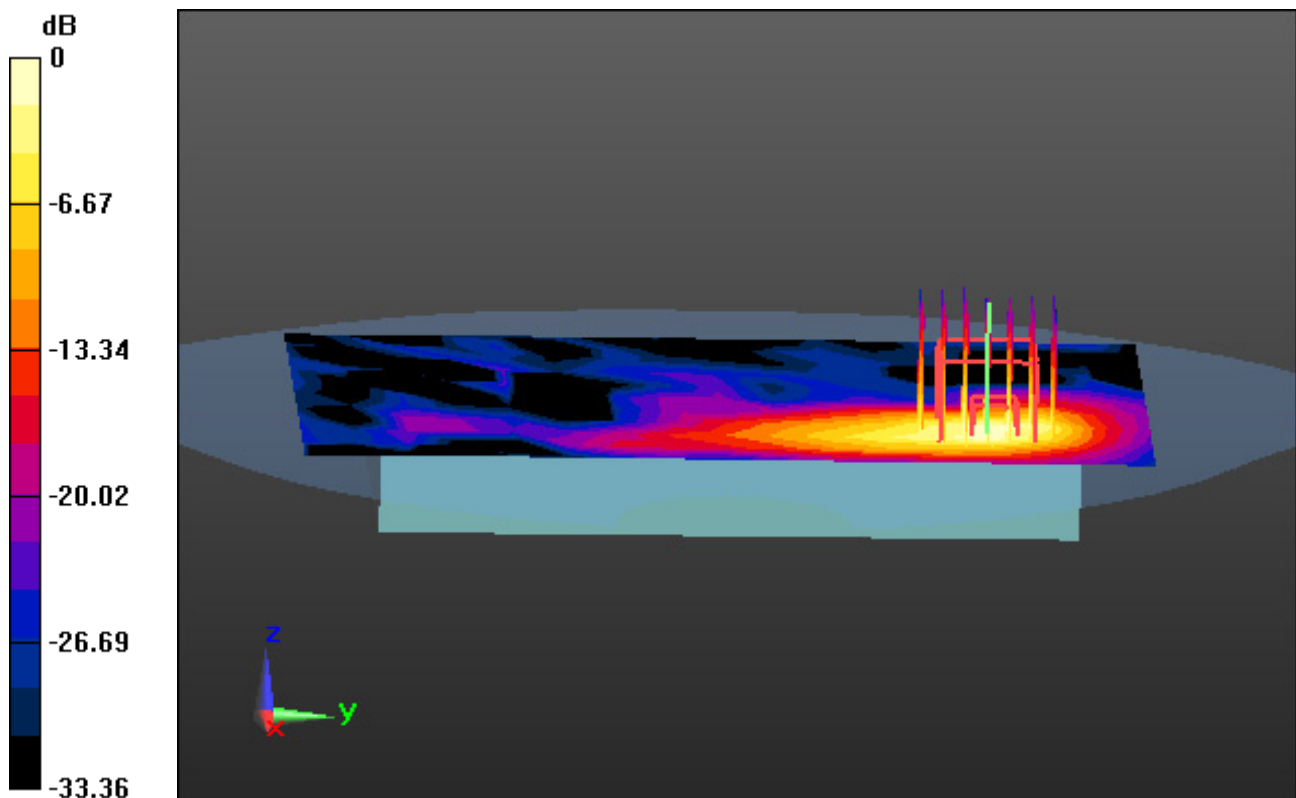
Area Scan (11x17x1): Measurement grid: dx=12mm, dy=12mm

Zoom Scan (7x7x7)/Cube 0: Measurement grid: dx=5mm, dy=5mm, dz=5mm

Power Drift = -0.19 dB

Peak SAR (extrapolated) = 0.527 W/kg

SAR(1 g) = 0.240 W/kg; SAR(10 g) = 0.104 W/kg



0 dB = 0.310 W/kg

DT&C Co., Ltd.

DUT: PM85; Type: Bar

Communication System: UID 0, W-LAN_5300 (0); Frequency: 5300 MHz; Duty Cycle: 1:1
Medium parameters used: $f = 5300$ MHz; $\sigma = 5.622$ S/m; $\epsilon_r = 49.689$; $\rho = 1000$ kg/m³
Phantom section: Flat Section

DASY5 Configuration:

Probe: EX3DV4 - SN3866; ConvF(4.5, 4.5, 4.5); Calibrated: 5/31/2018; Electronics: DAE4 Sn1391
Sensor-Surface: 1.4mm (Mechanical Surface Detection)
Phantom: SAM with CRP_2016_07_22_middle; Type: QD000P40CD; Serial: TP:1786
Measurement SW: DASY52, Version 52.8 (8); SEMCAD X Version 14.6.10 (7331)

Test Date: 2019-02-04; Ambient Temp: 20.3; Tissue Temp: 21.0

Touch from Body, Top, WLAN(802.11a) Ch. 60, Ant Internal

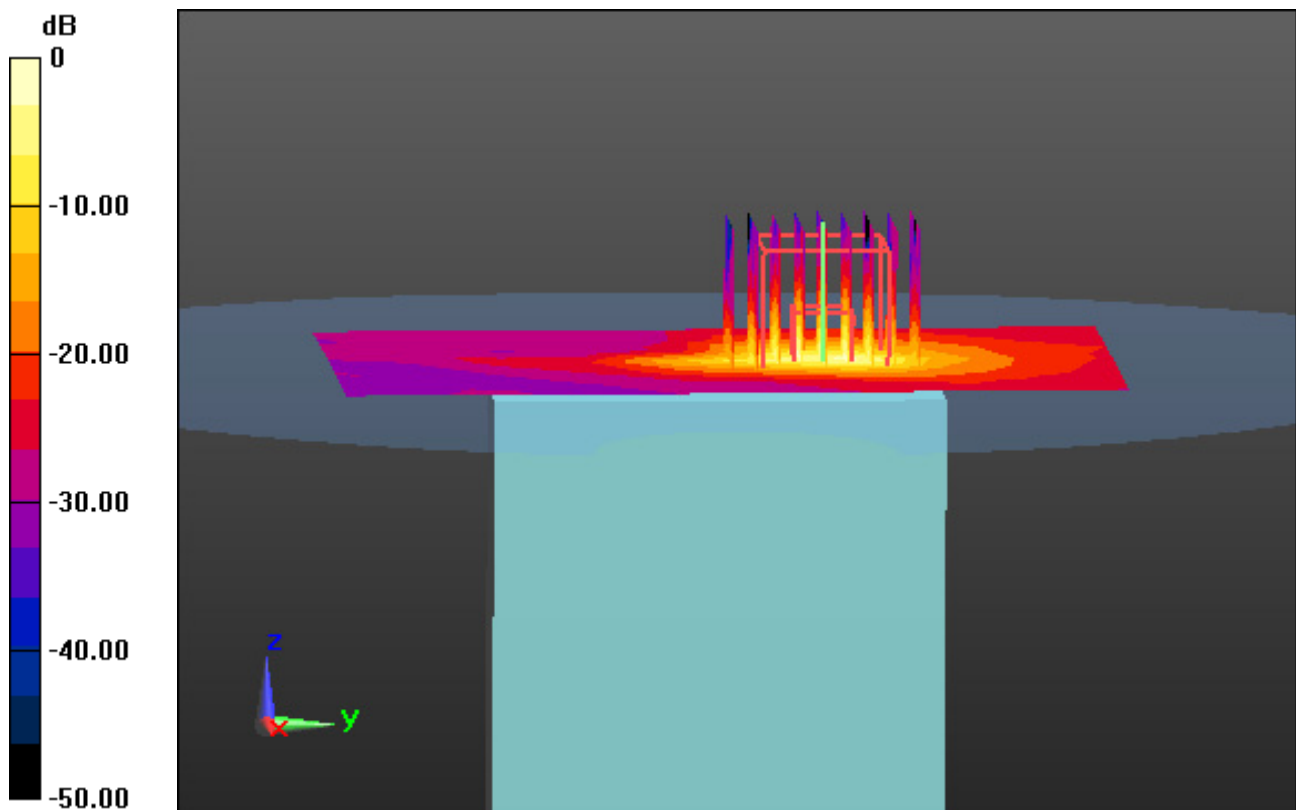
Area Scan (11x15x1): Measurement grid: dx=10mm, dy=10mm

Zoom Scan (8x9x7)/Cube 0: Measurement grid: dx=4mm, dy=4mm, dz=1.4mm, Graded Ratio: 1.4

Power Drift = -0.03 dB

Peak SAR (extrapolated) = 8.54 W/kg

SAR(1 g) = 1.64 W/kg; SAR(10 g) = 0.391 W/kg



0 dB = 4.42 W/kg

DT&C Co., Ltd.

DUT: PM85; Type: Bar

Communication System: UID 0, W-LAN 5G (0); Frequency: 5700 MHz; Duty Cycle: 1:1
Medium parameters used: $f = 5700$ MHz; $\sigma = 5.998$ S/m; $\epsilon_r = 46.91$; $\rho = 1000$ kg/m³
Phantom section: Flat Section

DASY5 Configuration:

Probe: EX3DV4 - SN3866; ConvF(3.87, 3.87, 3.87); Calibrated: 5/31/2018; Electronics: DAE4 Sn1391
Sensor-Surface: 1.4mm (Mechanical Surface Detection)
Phantom: SAM with CRP_2016_07_22_middle; Type: QD000P40CD; Serial: TP:1786
Measurement SW: DASY52, Version 52.8 (8); SEMCAD X Version 14.6.10 (7331)

Test Date: 2019-02-05; Ambient Temp: 20.1; Tissue Temp: 21.0

Touch from Body, Top, WLAN(802.11a) Ch. 140, Ant Internal

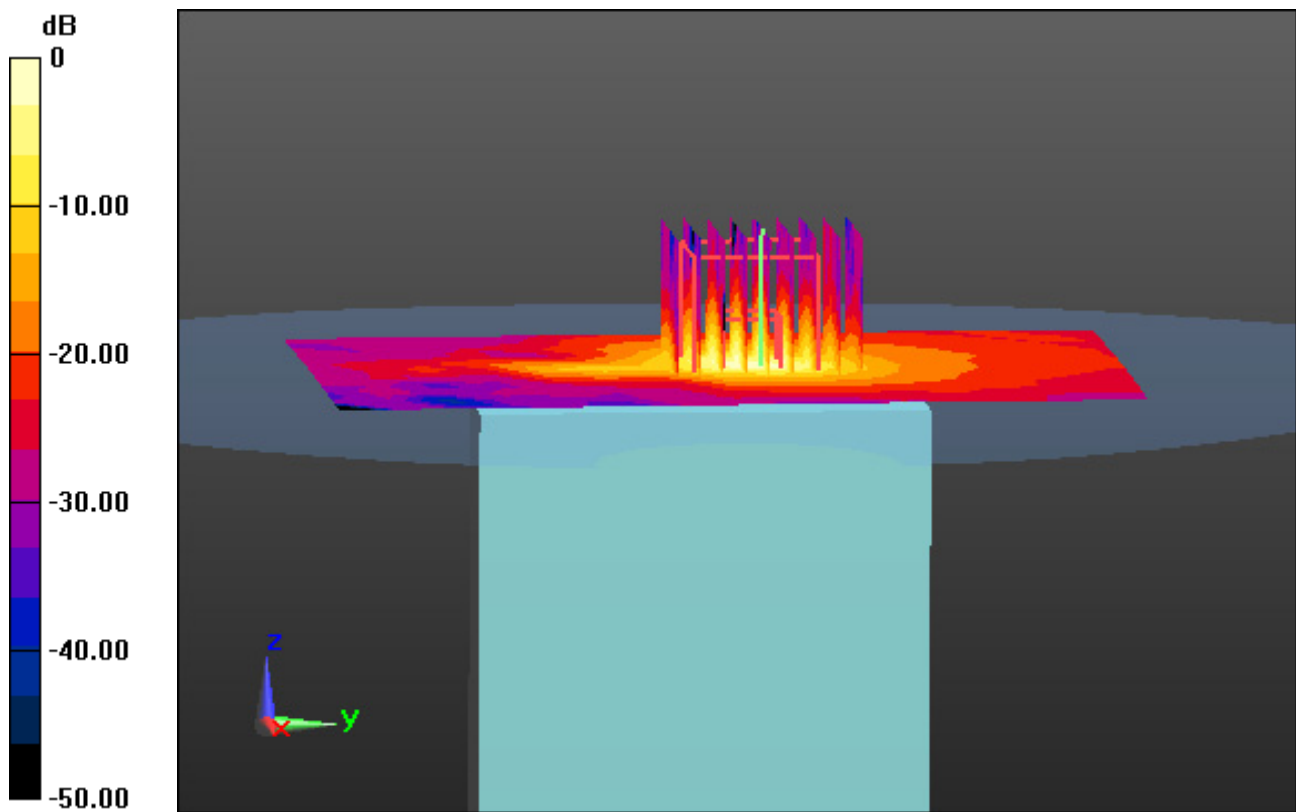
Area Scan (11x15x1): Measurement grid: dx=10mm, dy=10mm

Zoom Scan (9x9x7)/Cube 0: Measurement grid: dx=4mm, dy=4mm, dz=1.4mm, Graded Ratio: 1.4

Power Drift = -0.12 dB

Peak SAR (extrapolated) = 10.2 W/kg

SAR(1 g) = 1.87 W/kg; SAR(10 g) = 0.473 W/kg



0 dB = 5.02 W/kg

DT&C Co., Ltd.

DUT: PM85; Type: Bar

Communication System: UID 0, W-LAN 5G (0); Frequency: 5745 MHz; Duty Cycle: 1:1
Medium parameters used: $f = 5745$ MHz; $\sigma = 5.989$ S/m; $\epsilon_r = 46.883$; $\rho = 1000$ kg/m³
Phantom section: Flat Section

DASY5 Configuration:

Probe: EX3DV4 - SN3866; ConvF(4.16, 4.16, 4.16); Calibrated: 5/31/2018; Electronics: DAE4 Sn1391
Sensor-Surface: 1.4mm (Mechanical Surface Detection)
Phantom: SAM with CRP_2016_07_22_middle; Type: QD000P40CD; Serial: TP:1786
Measurement SW: DASY52, Version 52.8 (8); SEMCAD X Version 14.6.10 (7331)

Test Date: 2019-02-06; Ambient Temp: 20.2; Tissue Temp: 20.9

Touch from Body, Top, WLAN(802.11a) Ch. 149, Ant Internal

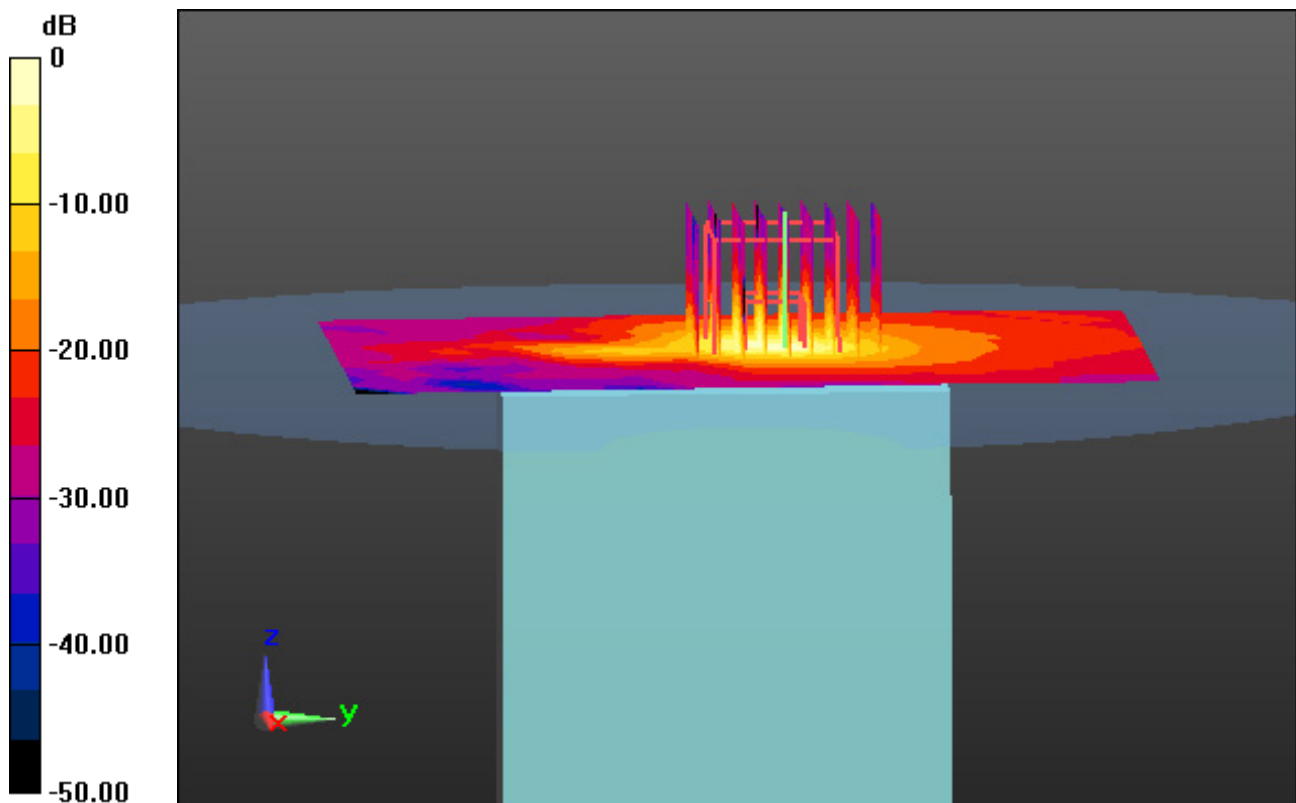
Area Scan (11x15x1): Measurement grid: dx=10mm, dy=10mm

Zoom Scan (9x9x7)/Cube 0: Measurement grid: dx=4mm, dy=4mm, dz=1.4mm, Graded Ratio: 1.4

Power Drift = -0.13 dB

Peak SAR (extrapolated) = 10.4 W/kg

SAR(1 g) = 1.89 W/kg; SAR(10 g) = 0.479 W/kg



0 dB = 5.08 W/kg