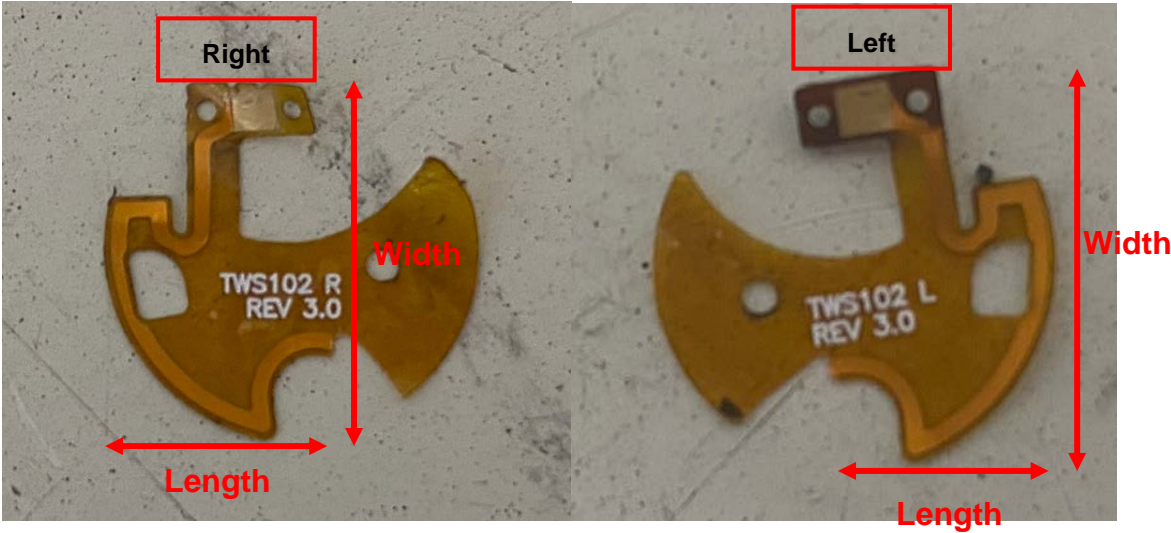


# Antenna Information

Item	Contents	
Antenna Type	FPC Antenna	
Antenna peak gain	Right	0.16 dBi
	Left	-0.33 dBi
Manufacturer / Model name	Right	KDT / YAMAHA TWS102_RIGHT
	Left	KDT / YAMAHA TWS102_LEFT
Address of manufacturer	413ho, 121, dongtan-daero 23-gil, hwaseong-si, Gyeonggi-do, Republic of Korea 18468	
Test Laboratory	Cresyn Co., Ltd.	
Right Antenna Length	0.8 cm	
Right Antenna Width	1.3 cm	
Left Antenna Length	0.8 cm	
Left Antenna Width	1.3 cm	

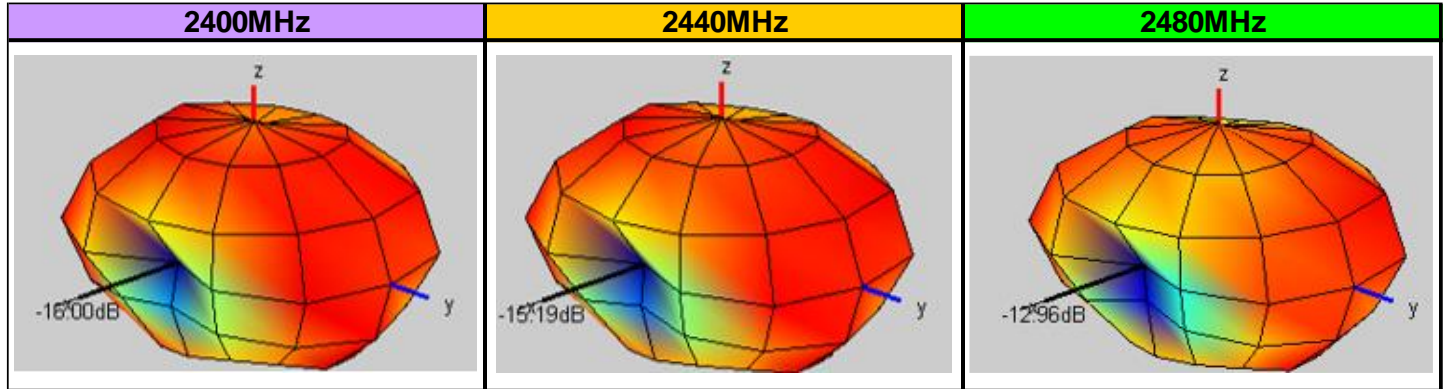


Model name: TW-E5C

Customer	Model	Customer Code	Date	Document Revision
CRESYN	YAMAHA TWS102	-	23' 10. 10	Rev 1.0

### 7. 3D GAIN DATA

#### BT "LEFT"

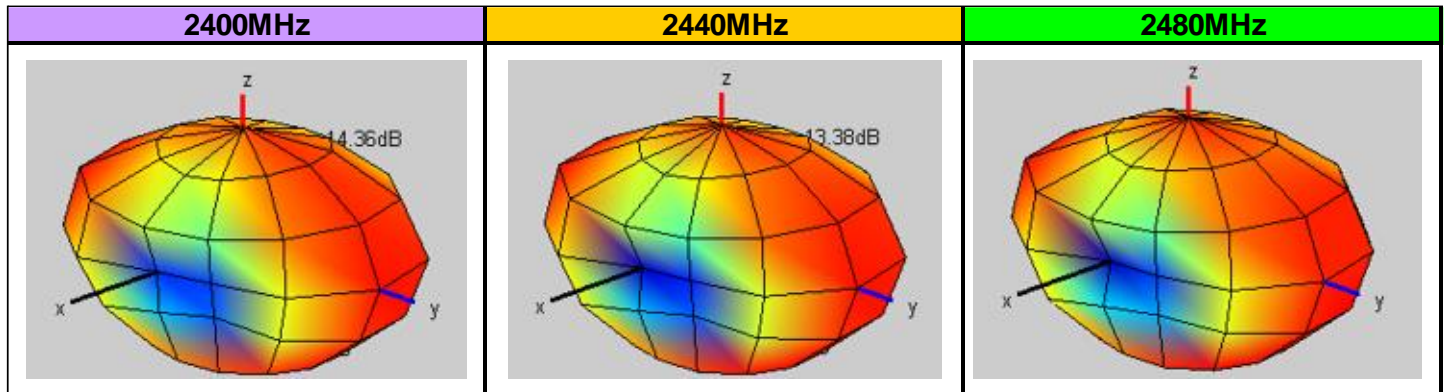


No.	Freq. [MHz]	Left		
		Eff. [%]	Avg. [dBi]	Peak [dBi]
#1	2400	29.0	-5.38	-2.02
	2440	32.7	-4.86	-1.51
	2480	40.2	-3.96	-0.33

Customer	Model	Customer Code	Date	Document Revision
CRESYN	YAMAHA TWS102	-	23' 10. 10	Rev 1.0

### 7. 3D GAIN DATA

#### BT "RIGHT"



No.	Freq. [MHz]	Right		
		Eff. [%]	Avg. [dBi]	Peak [dBi]
#1	2400	26.2	-5.82	-1.82
	2440	32.0	-4.95	-0.94
	2480	40.8	-3.90	0.16