

# TRUMPET

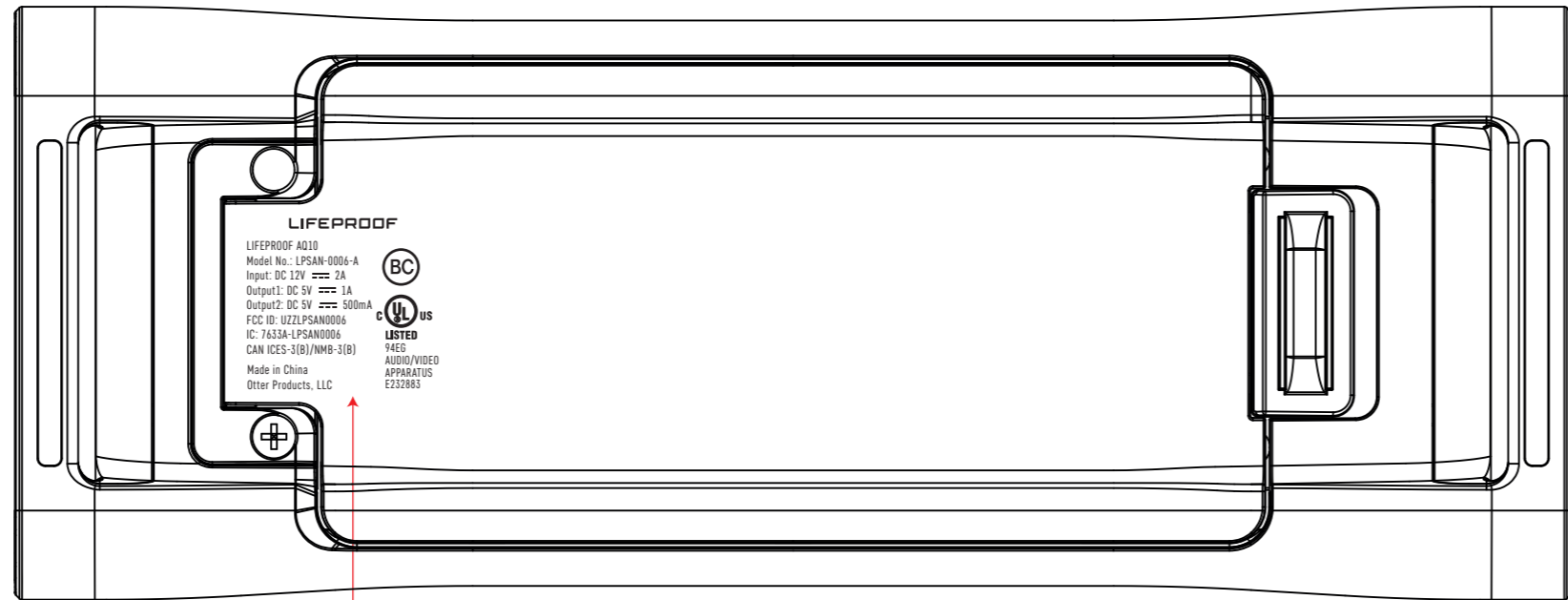
## LIFEPROOF

LIFEPROOF AQ10  
Model No.: LPSAN-0006-A  
Input: DC 12V  $\overline{=}$  2A  
Output1: DC 5V  $\overline{=}$  1A  
Output2: DC 5V  $\overline{=}$  500mA  
FCC ID: UZLPSAN0006  
IC: 7633A-LPSAN0006  
CAN ICES-3(B)/NMB-3(B)  
Made in China  
Otter Products, LLC



94EG  
AUDIO/VIDEO  
APPARATUS  
E232883

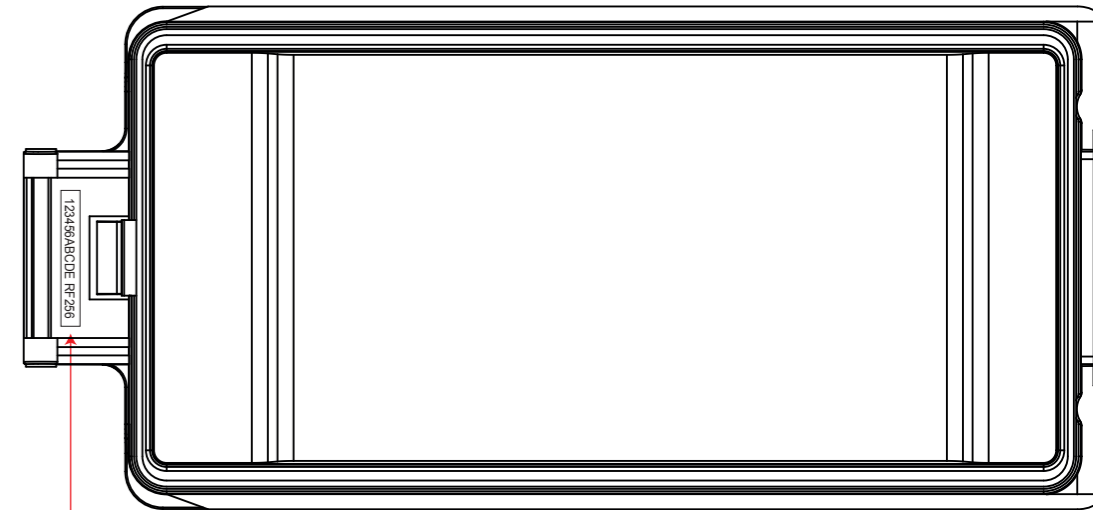
Font type: Core Sans D 37 Cn Regular  
Font : 5pt  
TRACKING SPACING = 50



silkscreen location

Bottom view

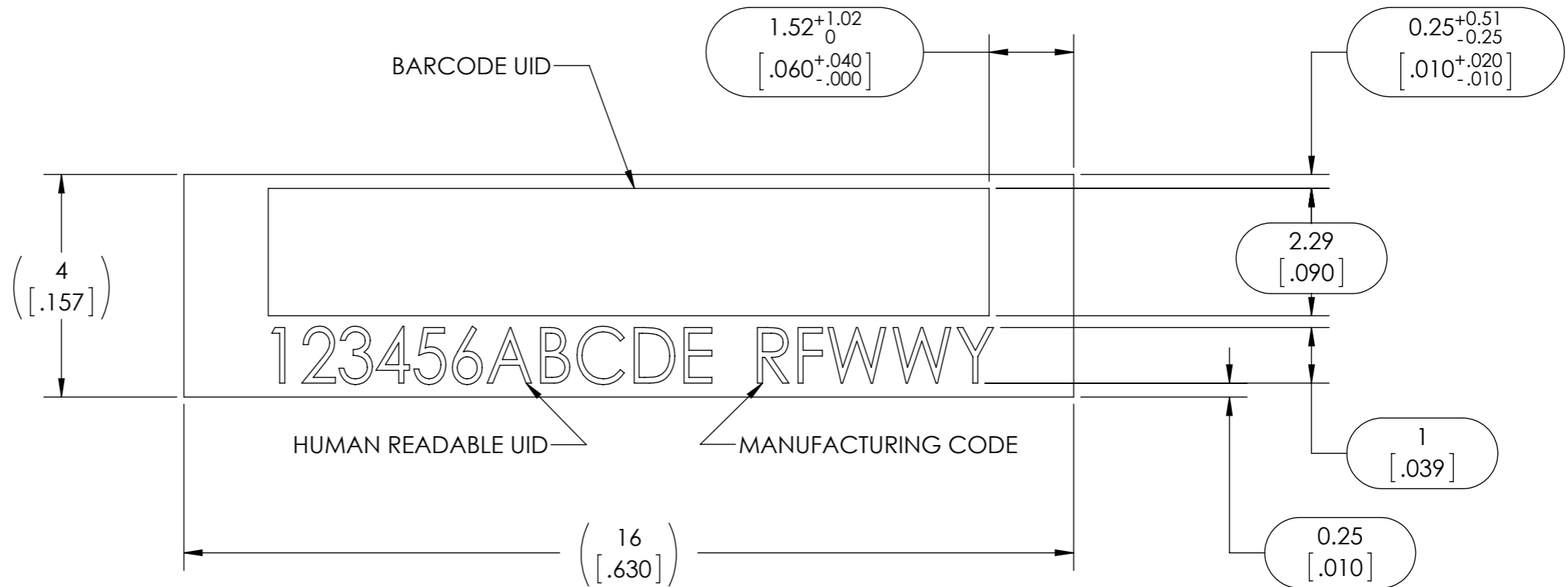
S/N transparent label location



battery-cover(inside view)

NOTES:

- MATERIAL: WHITE ADHESIVE BACKED LABEL STOCK. MATERIAL SHALL BE APPROVED BY LP ENGINEERING
- PRINTED CONTENT:  
 UNIQUE IDENTIFIER (UID): A UNIQUE IDENTIFIER FOR EACH LABEL IS TO BE USED, SOURCE DATA FOR THIS UNIQUE IDENTIFIER SHALL BE SECURED BY THE OFFICIAL OTTERBOX UID PROCESS.  
 BARCODE:  
 123456ABCDE UNIQUE IDENTIFIER (UID) NUMBER PULLED FROM VERIFY BRAND DATABASE  
 1-D BAR CODE -- CODE 128 REPRESENTATION OF UNIQUE IDENTIFIER  
 R - LP PRODUCT REVISION, A-Z, ISSUED BY LP DOC CONTROL  
 F - FACILITY CODE, A-Z & 1-9, ISSUED BY LP DOC CONTROL  
 WWY - DATE CODE (WEEK & YEAR), 0-9, GENERATED BY FACTORY  
 HUMAN-READABLE:  
 HUMAN-READABLE TEXT SHALL BE PRINTED CONTAINING THE UID AND MFG CODE IN THE AREA AND WITH DIMENSIONS SHOWN, USED BY ENGINEERING & QUALITY FOR RETURNED GOODS EXAMINATION  
 FONT: ARIAL  
 BARCODE AND HUMAN-READABLE PRINT MAY TOUCH BUT NOT OVERLAP
- PRINTING METHOD: THERMAL TRANSFER, LIQUID ELECTROPHOTOGRAPHIC, OR EQUIVALENT METHOD APPROVED BY OTTERBOX IN WRITING
- PRINT PERFORMANCE:  
 DOTS PER INCH (DPI): 300 MINIMUM



								CLIENT:		DRAWN: LAL SHEET: 1 OF 1	
						TOLERANCES: UNLESS STATED 0 = +-.0.2mm 0.0 = +-.0.1mm 0.00 = +-.0.05mm Angles = +-.0.1deg		CLIENT CODE:		DRAWN DATE: 02/04/2013 CHECKED:	
								SCALE: 1:1		CAD FILE: TFD05-040	
A		02/04/2013	NEW LABEL	LL	JA	PROJECT: PRODUCT LABELS		FINISH: BLACK ON WHITE COLOUR: A3		REV. No.: A	
REV.	GRID REF	DATE	CHANGE DESCRIPTION	ECO	DRAWN	CHK'D	TITLE: LABEL, SERIAL, MAJOR ASSEMBLY		DWG. No.: TFD05-040		
Previous issues to this drawing must be destroyed. All rights strictly reserved and all designs remain the property of LifeProof until fully assigned. Reproduction or disclosure to third parties in any form whatsoever is not permitted without written authority from LifeProof.											