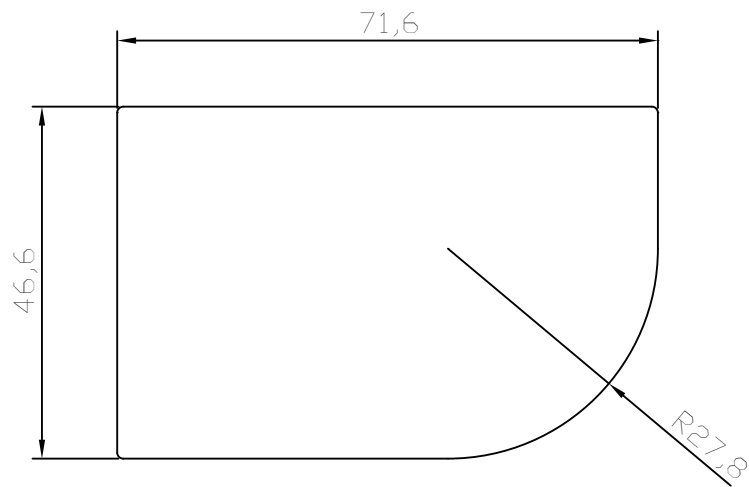


REVISIONS			
REV	DESCRIPTION	SIGNATURE AND DATE	
		CHK	ENGR



scale: 1/1 印刷稿



Note:

1. Material: 霧面PC t=0.375mm.
2. 膠系: 3M467 (戶外用防水日曬)
3. Printing Color: Pantone 425C / White color

		E504				79030154011				
		MODEL				PART NO.			REMARK	
201 ABOVE	0.3	SCALE	1:1	UNIT	MM	SIGNATURE	NAME	DATE	<b>BandRich Inc.</b>  Rating Label	
101 - 200	± 0.25	TOL.	1 PLC	2 PLC	ANGLE	DRN BY.	Tsun-Liu	2012/1/23		
51 - 100	± 0.2					CHK BY.				
31 - 50	± 0.15					PRJ ENGR				
30 mm BELOW	0.1	MATERIAL:				ENGR APPRO				
FIRST APPLICATION		FINISH:				SIZE	SHEET 1 OF 1		DRAWING NO.	REV VERSION
NEXT ASSY	MDL NO.					A4			0A	